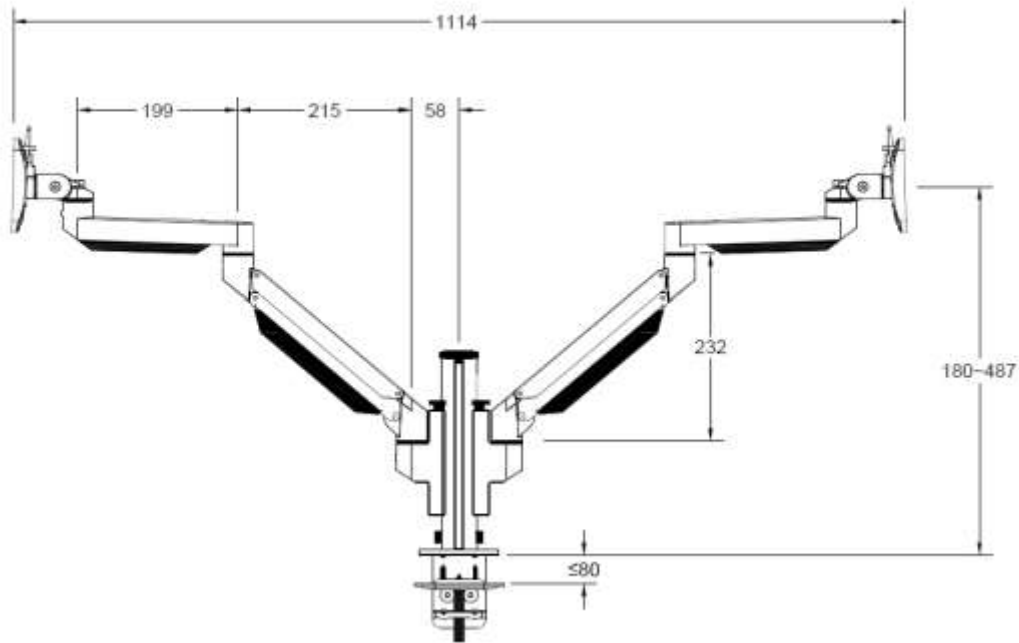


**Technical Specification Sheet**  
**Product Name: Dual Gasspring Monitor Arm**  
**Model No.: BE200**

mm



Dimensions are in mm.

**Key features**

- Free combination and easy installation. All components are universal.
- Supports 2 – 12kg load range for mounting different monitors.
- Max screen: 32 inches
- Easy UP&DOWN system with pole. Unique spring device makes the arms move up and down easily.
- Quick release head
- 180° stops to prevent clash with the walls or furniture.
- Cable management keeps the cables tidily.
- Special base without pole is available

**Mounted Load Range:** 2kg – 12kg

**Horizontal Range:** 557mm

**Vertical motion Range:** 487mm

**Tilt Range:** -45° / +110°

**Pivot Range:** 360°

**VESA:** 75\*75 / 100\*100

**Total product recyclable:** 99.7%

**Recycling Rate**

| <b>Material type</b> | <b>Total material type weight</b> | <b>Percentage of Total Product Weight</b> | <b>Total Product Recyclable Weight</b> | <b>Total Product Recyclable</b> |
|----------------------|-----------------------------------|---|--|---------------------------------|
| Aluminum             | 3120g                             | 47.72%                                    | 3120g                                  | 47.72%                          |
| Steel                | 2904g                             | 44.42%                                    | 2904g                                  | 44.42%                          |
| Plastic              | 368g                              | 5.63%                                     | 348g                                   | 5.33%                           |
| Zinc                 | 140g                              | 2.14%                                     | 140g                                   | 2.14%                           |
| Brass                | 6g                                | 0.09%                                     | 6g                                     | 0.09%                           |
| Total                | 6538g                             | 100%                                      | 6518g                                  | 99.7%                           |