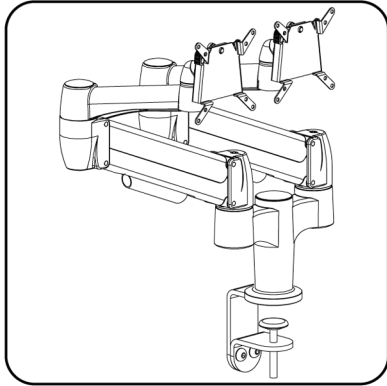


Space-arm Dual Clamp BNESPD

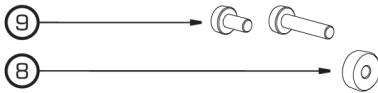


Required Tools:

- 17 mm Socket
- 5mm Allen Key (Included)
- #2 Phillips Screwdriver

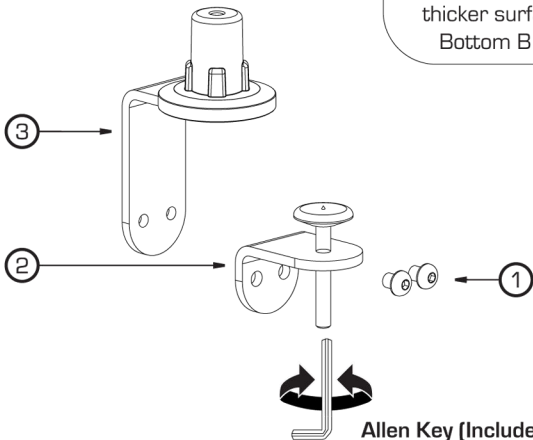
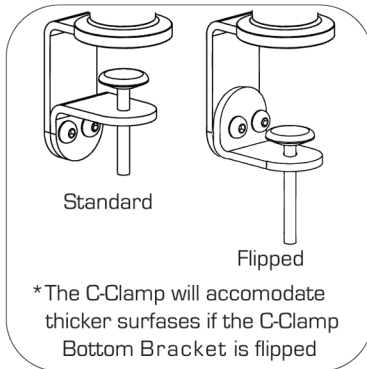
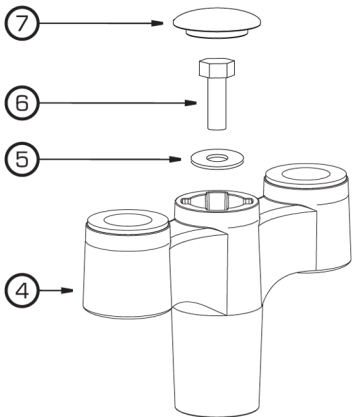
Contents:

#	QTY	Part Name
1	02	sm M10 Screw
2	01	C-Clamp Bottom Bracket
3	01	C-Clamp Baseplate
4	01	Double Hub
5	01	M10 Washer
6	01	M10 Bolt
7	01	Base Cap
8	04	Plastic Washer
9	08	Monitor Screws
10	08	Standard SpaceArm

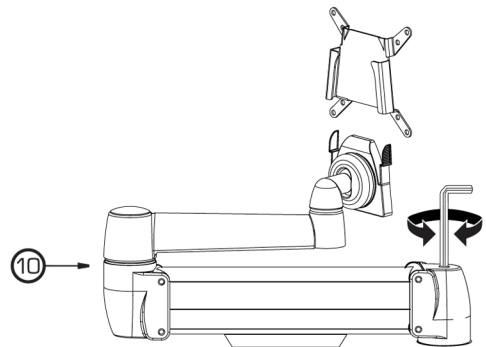


Monitor Mounting

Hardware package includes both short and long screws and plastic washers. The long screws & plastic washers should be used for recessed monitor mounts.



Adjusting Counter Balance *Required Tool: 5mm Allen Wrench



Position Arm so it is parallel to desk surface. Turn bolt clock wise for lighter monitors.

Cable Routing

