



FOR LARGE
PORTRAIT
SCREENS

BTF842

SYSTEM X™

UNIVERSAL DUAL STACK FLAT SCREEN FLOOR STAND - 2.4M

The BTF842 is a premium mounting solution designed to mount two screens in portrait orientation, one above the other. A heavy duty steel base eliminates the need to bolt to the floor and adjustable levelling feet are included to accommodate uneven surfaces. The high-end aesthetic with an anodised aluminium finish and integrated cable management ensures finished installations are neat and tidy, making the BTF842 ideal for use in professional or commercial applications.

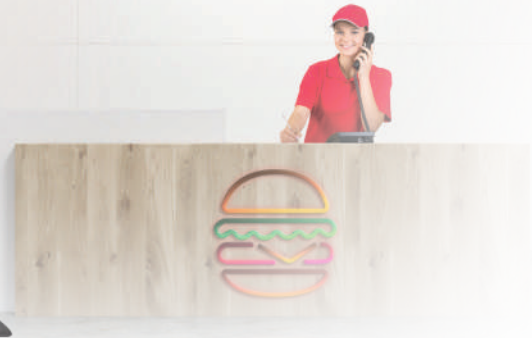
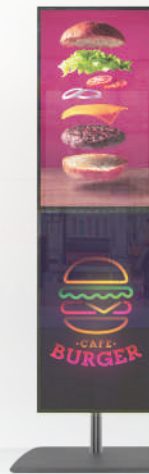
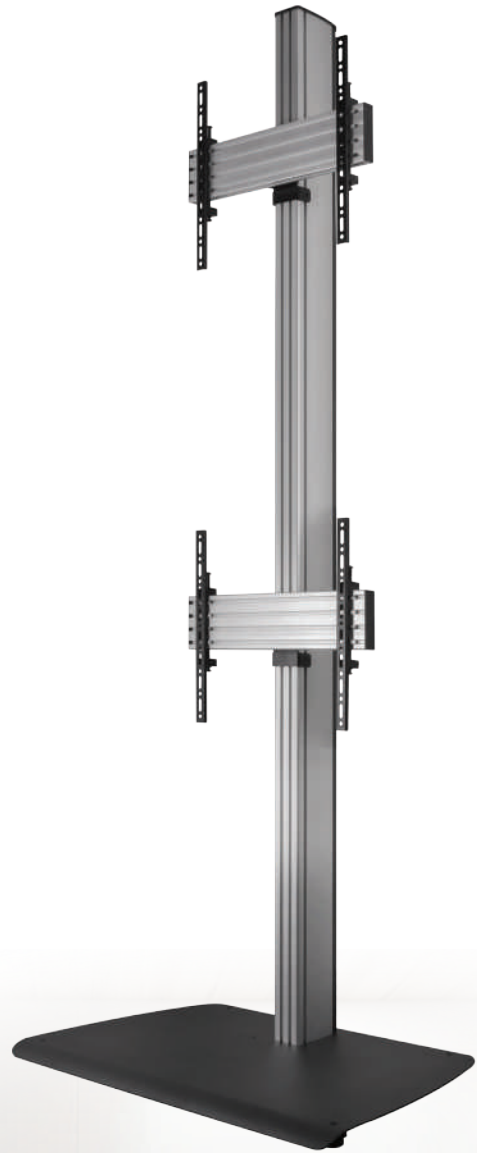
SPECIFICATION

Recommended screen size	47" to 65"
Max load	35kg (per screen)
VESA® & non-VESA fixings (as standard)	up to 430 x 400mm*
VESA® & non-VESA fixings (with included adaptors)	up to 600 x 400mm*
Dimensions	W: 890mm H: 2441mm D: 604mm
Colour (column & rails)	Black or Silver
Colour (base & arms)	Black

*As standard the maximum fixing dimension is 400mm. Increase the vertical fixing to 600mm using the included interface adaptor arms.

FEATURES

- Universal design suitable for screens in a portrait orientation
- High-end aesthetic quality
- Heavy duty steel base construction provides stability, eliminating the need to bolt to the floor
- Can also be bolted to the floor to help prevent unauthorised relocation of the display(s)
- Supplied with adjustable levelling feet to accommodate uneven floor surfaces
- Arms feature levelling screws to adjust the screen height
- Collar compatible accessories such as shelves (*available separately*) can be fitted directly to the column
- Integrated cable management for a neat and tidy installation
- Safety screws help prevent unauthorised screen removal
- Simple 'hook-on' screen installation
- All mounting hardware included



		PER SCREEN		COLUMN / RAILS BASE / ARMS	



Maximum vertical VESA fixing can be increased to 600mm using the included adaptor arms



Supplied with adjustable levelling feet to accommodate uneven floor surfaces

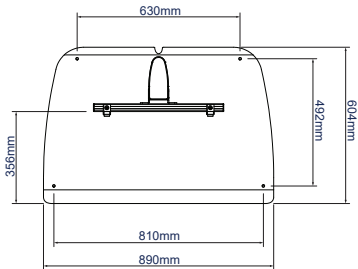
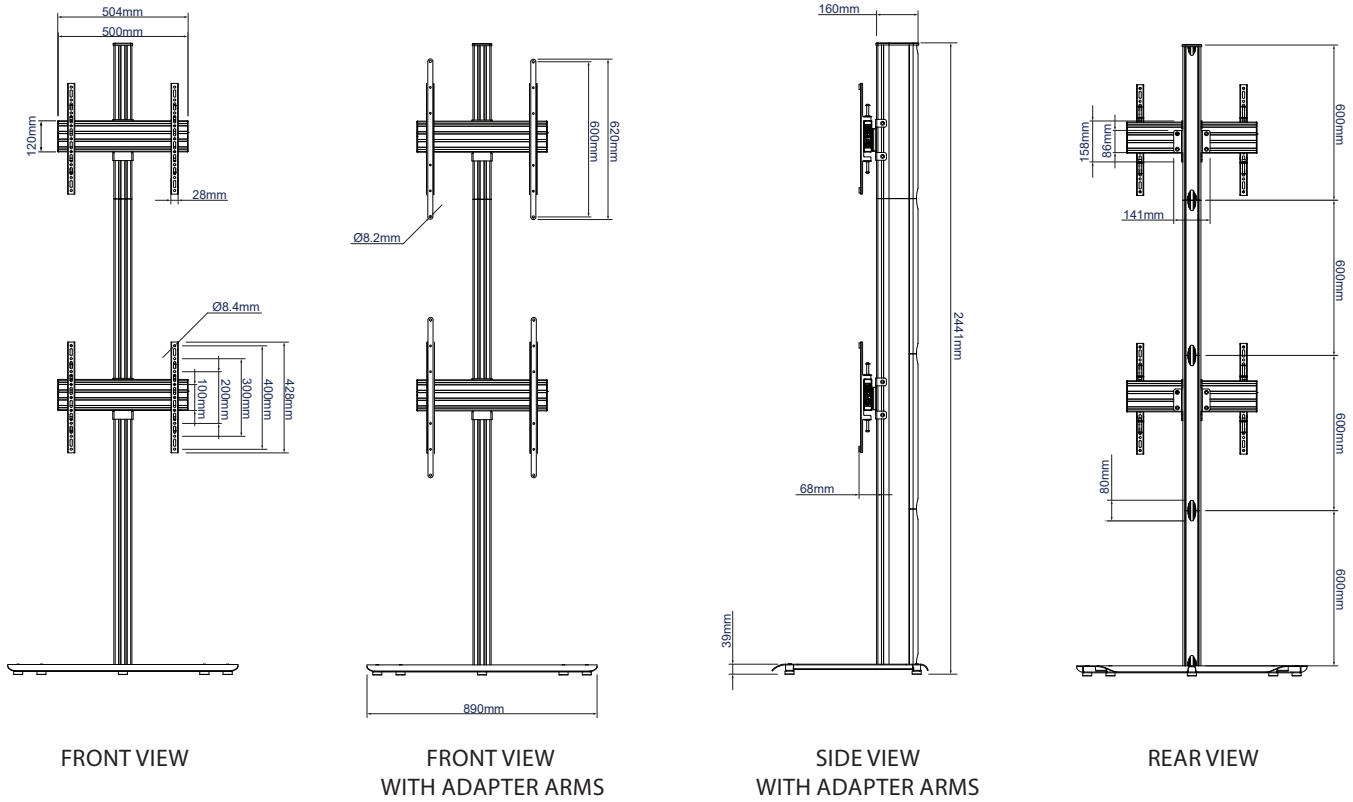


Collar compatible accessories such as shelves (*available separately*) can be fitted directly to the column



Integrated cable management for a neat and tidy installation





TOP VIEW

PACKING INFORMATION

PLEASE NOTE, THIS IS A MULTI-BOX ITEM

COLOUR:	ORDER REF:	EAN CODE:
Black	BTF842/BB	5019318087585
Silver	BTF842/BS	5019318087592

ACCESSORIES AND RELATED PRODUCTS



BT7032
Large AV Accessory Shelf is ideal for adding AV accessories such as a Blu-Ray player or laptop to an installation or a wall



BT8390-VESA400T
VESA 400 Interface Arms designed to mount medium / large sized screens in a tilted position



BTF840
System X Flat Screen Floor Stand - 1.8m designed to mount a single screen in portrait or landscape style



BTF841
System X Dual Stack Floor Stand - 1.8m designed to mount two screens, one above the other, in portrait or landscape style

© 2017 B-Tech International Pty Ltd. All rights reserved. This information is provided for informational purposes only. It is not intended to constitute an offer of any product or service. B-Tech International Pty Ltd. is not responsible for any damage or loss of data caused by improper installation or use of any product. B-Tech International Pty Ltd. is not responsible for any damage or loss of data caused by improper installation or use of any product. B-Tech International Pty Ltd. is not responsible for any damage or loss of data caused by improper installation or use of any product. B-Tech International Pty Ltd. is not responsible for any damage or loss of data caused by improper installation or use of any product.