

MOBILE SOLUTION FOR TWIN SCREENS UP TO 86"

BT85 18

XXL TWIN SCREEN VC TROLLEY



The BT8518 is a premium mobile mounting solution designed to mount two XL screens side by side, ideal for video conferencing applications. The stand features Non-marking braked castors that allow the trolley to be relocated quickly and safely without marking floor surfaces. Integrated cable management hides cables for a tidy installation, and all interface arms include level adjustment screws for easy screen alignment.

SPECIFICATION

Screen size	70" - 86"
Max load	100kg per screen
VESA and non-VESA	up to 1200 x800
Dimensions (Trolley)	W: 3000mm H: 2026mm D: 950mm
Dimensions (VC Shelf)	W: 120mm H: 3mm D: 235mm
Colour	Black or Silver & Black

FEATURES

- Universal design suitable for mounting two XL screens side by side
- Interface arms include levelling screws to adjust the screen height
- Integrated VC shelf with an adjustable arm allows a camera to be fitted above or below the screen
- VC shelf fits most cameras with 1/4" thread and 100 x 100mm fixing points
- Integrated cable management for a tidy installation
- Safety screws help prevent unauthorised screen removal
- Lockable non-marking 4" castors
- Simple 'hook-on' screen installation



SYSTEM X™

PER SCREEN



Universal design suitable for mounting two XL screens side by side



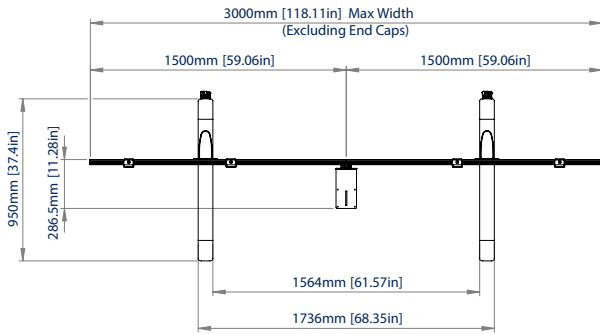
Integrated VC shelf with an adjustable arm allows a camera to be fitted above or below the screen



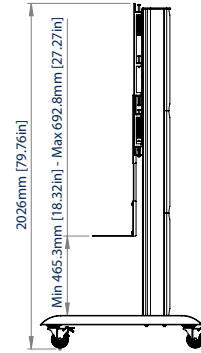
Integrated cable management for a tidy installation



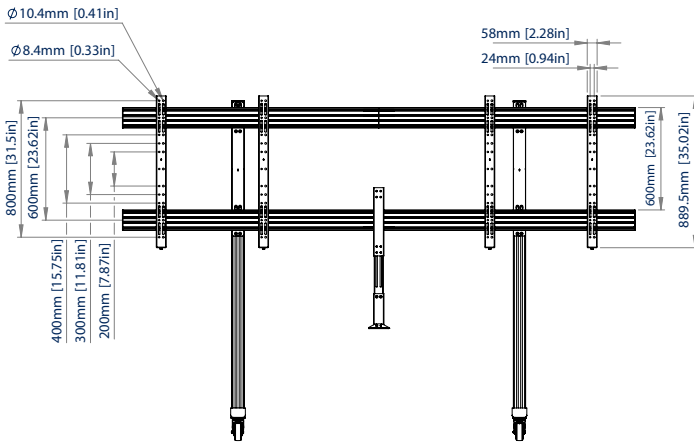
Lockable non-marking 4" castors



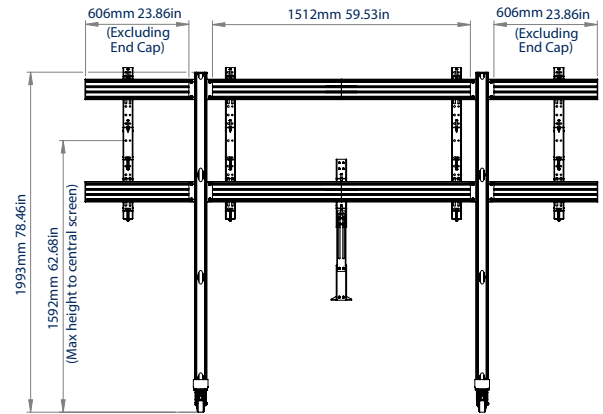
TOP VIEW



SIDE VIEW



FRONT VIEW



REAR VIEW

ORDER INFORMATION

PLEASE NOTE, THIS IS A **MULTI-BOX** ITEM.

COLOUR:	ORDER REF:	EAN CODE:	MASTER CARTON WEIGHT:	MASTER CARTON CUBE:
Black	BT8518/BB	5019318307331	9kg (x2) / 6kg (x4) / 5kg (x2) / 2.35kg / 1.56kg / 20.2kg / 21.7kg	0.047 (x2) / 0.033 (x4) / 0.006 (x2) / 0.004 / 0.000 / 0.043 / 0.05cbm
Silver & Black	BT8518/BS	5019318307355	9kg (x2) / 6kg (x4) / 5kg (x2) / 2.35kg / 1.56kg / 20.2kg / 21.7kg	0.047 (x2) / 0.033 (x4) / 0.006 (x2) / 0.004 / 0.000 / 0.043 / 0.05cbm

ACCESSORIES AND RELATED PRODUCTS

BT7884



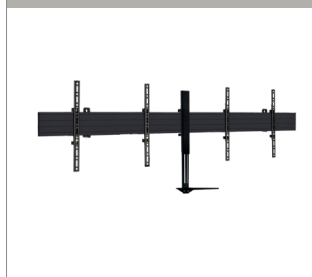
Flip Down AV Storage Tray suitable for storing a variety of AV equipment

BT7874



Mounting Plate for Logitech Videobars compatible with the BT8518 mounting arm

BT8416



Twin Screen VC Wall Mount designed for screens up to 65" and 70kg per screen

BT8538



XL Twin Screen VC Bolt Down Stand designed for screens up to 86" and 100kg per screen

© 2018 B-Tech International Design & Manufacturing Ltd. All rights reserved. This information is provided for informational purposes only. It is not intended to be used as a substitute for professional advice. B-Tech International Design & Manufacturing Ltd. is not responsible for any damage or loss of data caused by the use of this information. B-Tech International Design & Manufacturing Ltd. is not responsible for any damage or loss of data caused by the use of this information. B-Tech International Design & Manufacturing Ltd. is not responsible for any damage or loss of data caused by the use of this information.