

### Ultra-Slim Universal Flat Screen Wall Mount

For more information please visit [www.btechavmounts.com/BT8200-PRO](http://www.btechavmounts.com/BT8200-PRO)

**BT8200-PRO**

Registered Design Number: 001713280-0037



## BT8200-PRO

### Ultra-Slim Universal Flat Screen Wall Mount

**Designed for flat screens  
screens up to 45" (114cm) / 35kg (77lbs)**

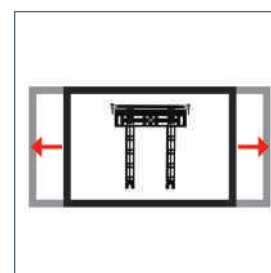
- Fits screens with mounting patterns up to: H: 240mm (9.6") x V: 200mm (7.9") including VESA® fixings up to 200 x 200mm
- Ultra-slim design mounts screen only 14mm (0.6") from wall
- Features 'OWLS'™ On Wall Levelling System
- Suitable for concrete or brick walls
- Security locking screws, Allen key and locking bar provided for secure installation
- Universal screen fixing kit supplied, including M4, M5, M6 and M8 screws
- Simple 'hook-on' installation with all mounting hardware included
- Brown boxed packaging designed to help cut costs for the professional installer. Retail boxed product also available as the BT8200
- Available in Black



Ultra-slim design for close to wall installation



Features 'Torsion Lock'™ security



Post installation screen alignment



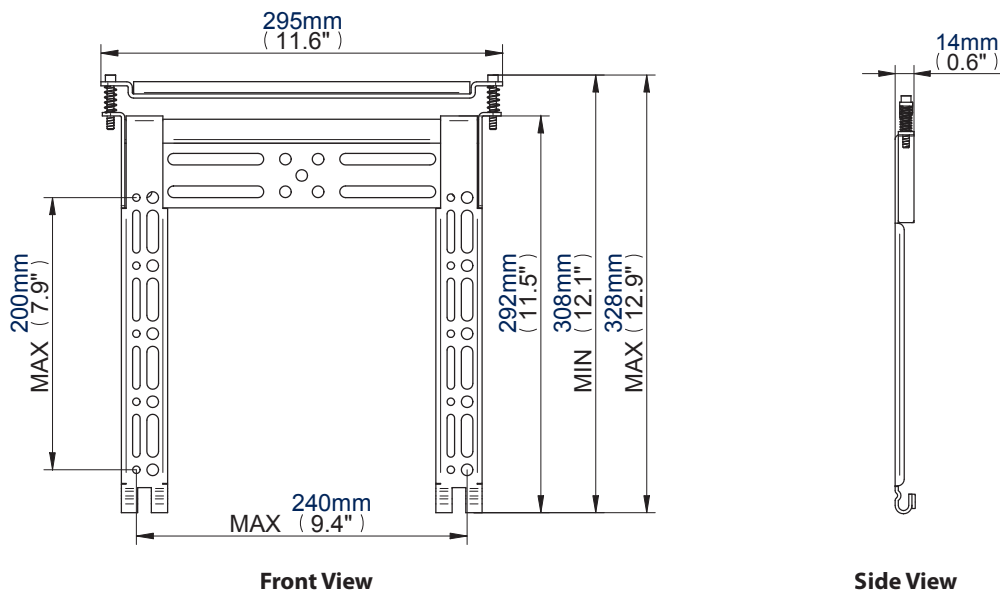
Comprehensive screen fixing kit included

### Ultra-Slim Universal Flat Screen Wall Mount

For more information please visit [www.btechavmounts.com/BT8200-PRO](http://www.btechavmounts.com/BT8200-PRO)

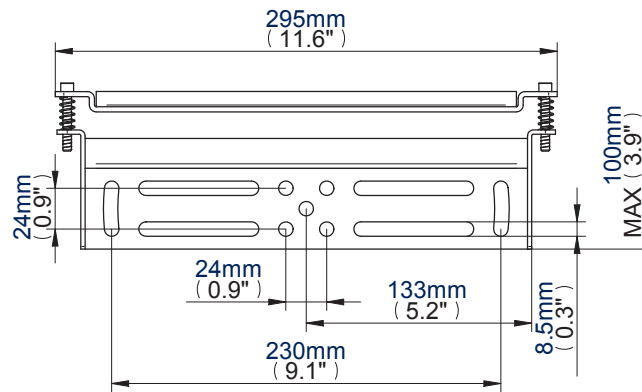
**BT8200-PRO**

Registered Design Number: 001713280-0037



Front View

Side View



Wall Plate

Colour:	Order Ref:	EAN Code:	Master Carton Qty:	Inner Carton Qty:	Master Carton Weight:	Master Carton Cube:
Black	BT8200-PRO/B	5019318082009	8	2	14.90kg (32.85lbs)	1.45cuft (0.041cbm)

**This information is intended as a guide only and reflects the current specification at the time of print. B-Tech accepts no liability for the accuracy of the information contained in this document.**