

BT7518

FLAT SCREEN WALL MOUNT WITH TILT & SWIVEL FOR SCREENS UP TO 28"

Designed to mount small flat screens, this wall mount features both swivel & tilt functions. With the distance to wall at 93mm it allows easy positioning & a full 360° rotation of the screen. Cover plates are included to hide fixings for a smart installation. BT7518 is also collar compatible for alternative mounting solutions, ideal for commercial applications as well as home installations.

SPECIFICATIONS

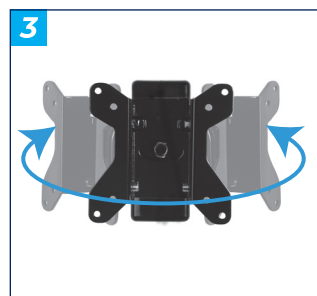
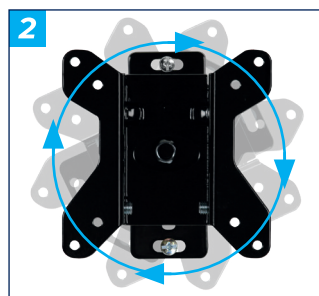
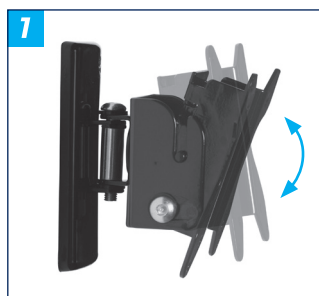
Recommended screen size	up to 28"
Max load	20kg
VESA® compatibility	75 x 75 & 100 x 100
Extension	93mm
Tilt	+17° / -10°
Swivel (wall mounted)	50°
Swivel (pole mounted)	180°
Screen rotation	360°

FEATURES

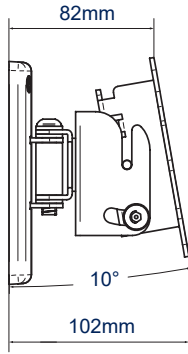
- 1 Easy tilt adjustment
 - 2 Screen rotation adjustment up to 360°
 - 3 Swivel up to 180°
 - 4 Security locking screws & Allen key provided for a secure installation
- Features 'OWLS' (On Wall Levelling System)
 - Simple 'hook-on' installation
 - All mounting hardware included
 - Compatible with B-Tech accessory collars



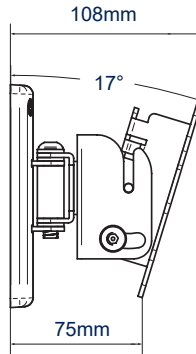
RECOMMENDED MAX SCREEN	MAX LOAD	MAX VESA	COLLAR COMPATIBLE	TILT	SWIVEL	ROTATION	QR CODE
28" 71cm	20kg	100		10° 17°	50°	360°	



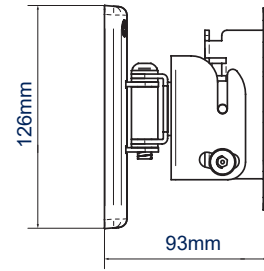
BT7518



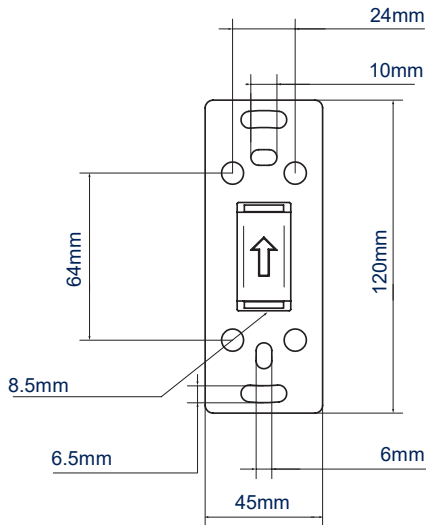
SIDE VIEW
TILT UP



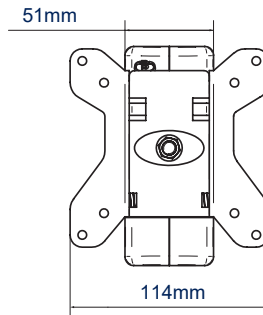
SIDE VIEW
TILT DOWN



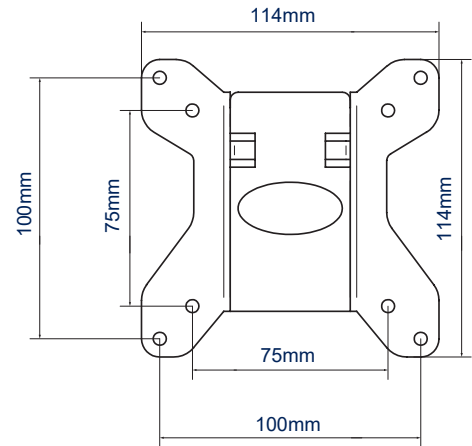
SIDE VIEW



REAR VIEW
WALL PLATE



FRONT VIEW



FRONT VIEW
INTERFACE PLATE

ORDERING INFORMATION

COLOUR	ORDER REF	EAN
Black	BT7518/B	5019318751806

RELATED PRODUCTS

PRODUCT CODE	NAME	DESCRIPTION
BT7512	Single Arm Flat Screen Wall Mount with Tilt & Swivel	Ideal for screens up to 28" & features easy tilt & swivel
BT7511	Flat Screen Wall Mount with Tilt & Swivel	Ideal for screens up to 28" & features easy tilt
BT7542	Interface Adaptor Arms	Convert VESA 100x 100 mounts to 200 x 100
BT7841	Ø50mm Accessory Collars	Allows mounts & accessories to be fitted to Ø50mm poles

© 2018 B.Tech. AV Mounts, Ltd. All rights reserved.
The information this specification sheet reflects the current technical specifications at the time of print.
We reserve the right to change the technical or physical specifications without prior notice. The B.Tech. name & logo are registered trademarks of B.Tech. AV Mounts, Ltd.
B.Tech. is not responsible for any loss or damage caused by improper installation or mounting on unsuitable structures. Any reproduction, use, adaptation or republishing of any part of this
specification sheet is strictly prohibited unless prior written permission is obtained by B.Tech. AV Mounts, Ltd. 120618.

SS-V4-BT7518-0601