

PFF 2420

PFT 2515

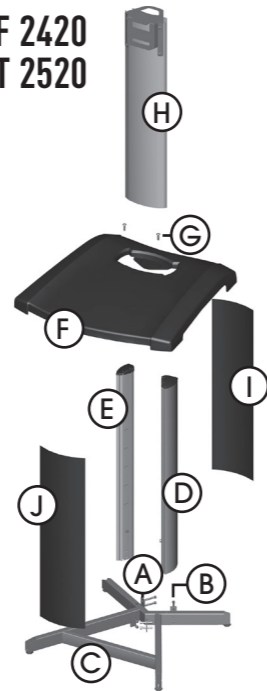
PFT 2520

Mounting instructions
Montagevoorschrift
Instructions de montage
Montageanleitung
Guía de montaje
Istruzioni di montaggio
Instruções de montagem
Monteringsanvisning
Instrukcja montażu
Рекомендации по установке

Max. PFF 2420: 70 kg / 154 lbs
 PFT 2515: 70 kg / 154 lbs
 PFT 2520: 55 kg / 121 lbs

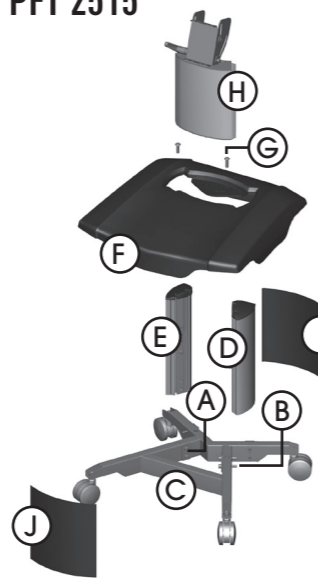


PFF 2420
PFT 2520



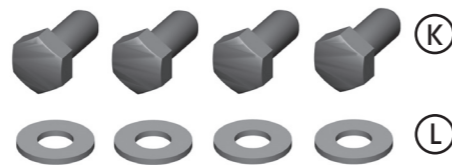
- A = 4x Connection plate
- B = 8x DIN912 Hexagon socket head cap screw M8x50
- C = 1x Foot
- D = 1x Column left
- E = 1x Column right
- F = 1x Cover stand high
- G = 2x ISO7380 Hex socket button head screw M10x30
- H = 1x Intercolumn
- I = 1x Front plate
- J = 1x Back plate

PFT 2515

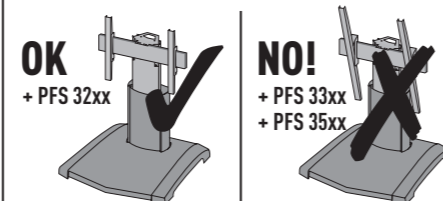


- A = 4x Connection plate
- B = 8x DIN912 Hexagon socket head cap screw M8x50
- C = 1x Foot
- D = 1x Column left
- E = 1x Column right
- F = 1x Cover stand high
- G = 2x ISO7380 Hex socket button head screw M10x30
- H = 1x Intercolumn
- I = 1x Front plate
- J = 1x Back plate

OPTIONAL



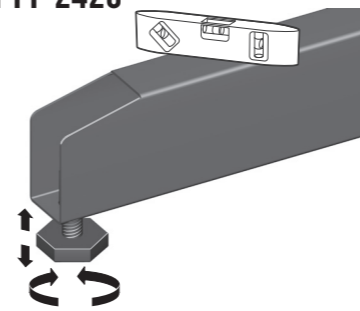
WARNING for PFT 2515



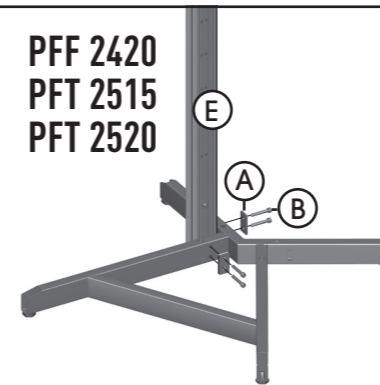
(GB) Subject to printing errors and technical amendments.
 (NL) Drukfouten en technische wijzigingen voorbehouden.
 (F) Sous réserve de fautes d'impression et de modifications techniques.
 (D) Für Druckfehler übernehmen wir keine Verantwortung. Technische Änderungen vorbehalten.
 (E) Reservados errores de imprenta y sujete a modificaciones.
 (I) Con riserva di modifiche tecniche e di eventuali errori di stampa.
 (P) Reserva-se a ocorrência de gralhas e de modificações técnicas.
 (H) Nyomdahibák és technikai változtatások joga fenntartva.
 (PL) Zastrzeżenie się możliwość występowania błędów drukarskich i zmian technicznych.
 (RU) Возможны ошибки при печати и технические модификации.

Designed and engineered in the Netherlands
 More information on: www.vogels.com
 VOGELS PRODUCTS BV, HONDSRUGLAAN 93, 5628 DB EINDHOVEN, THE NETHERLANDS

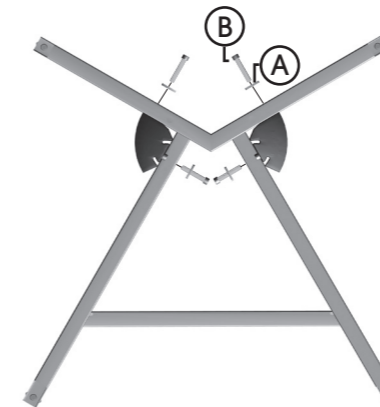
1 PFF 2420



2 PFF 2420
PFT 2515
PFT 2520



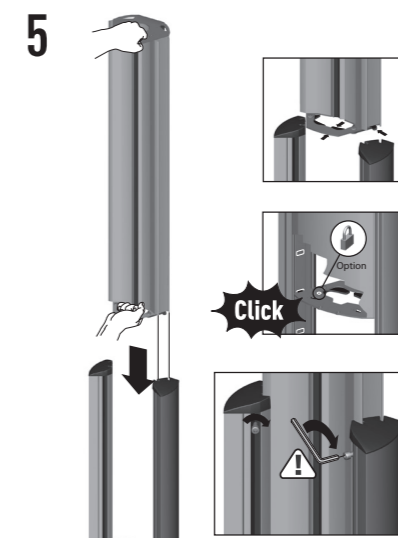
3



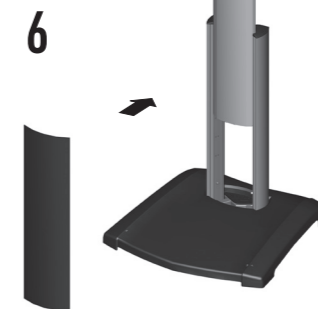
4



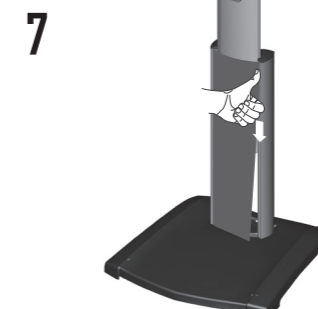
5



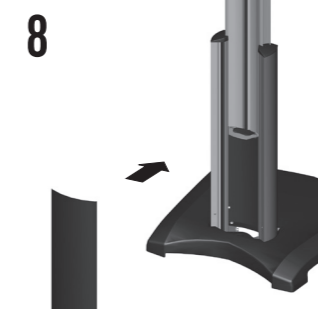
6



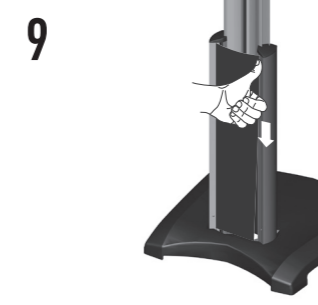
7



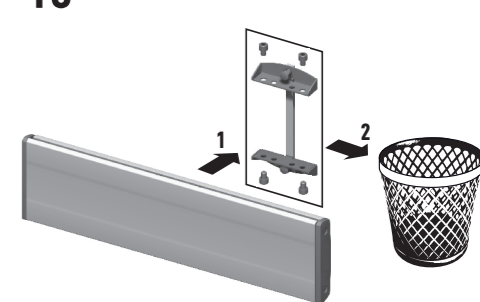
8



9

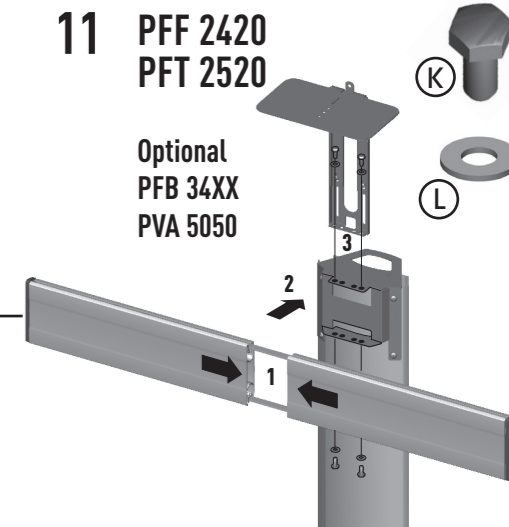


10 Optional: PFB 34XX



11 PFF 2420
PFT 2520

Optional
 PFB 34XX
 PVA 5050



12 PFF 2515

