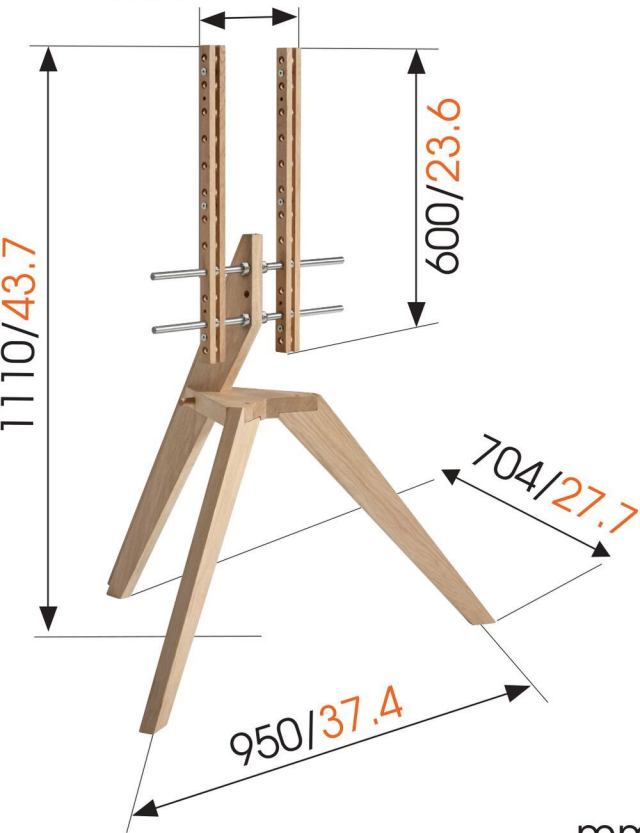


MIN 100/3.94 -
MAX 400/15.7



mm/inch
VESA mounting holes