



Interface bar

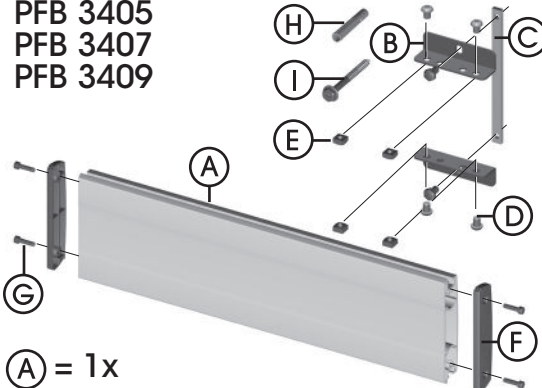
- | | |
|----------|----------|
| PFB 3402 | PFB 3411 |
| PFB 3405 | PFB 3419 |
| PFB 3407 | PFB 3427 |
| PFB 3409 | PFB 3433 |

- Mounting instructions
 Montagevoorschrift
 Instructions de montage
 Montageanleitung
 Guía de montaje
 Istruzioni di montaggio
 Instruções de montagem
 Monteringsanvisning
 Instrukcja montażu
 Рекомендации по установке

Max		160 kg / 352 lbs
		3402 } 53 kg 3419 } 160 kg 3405 } 117 lbs 3427 } 352 lbs 3407 } 3409 } 3433 }

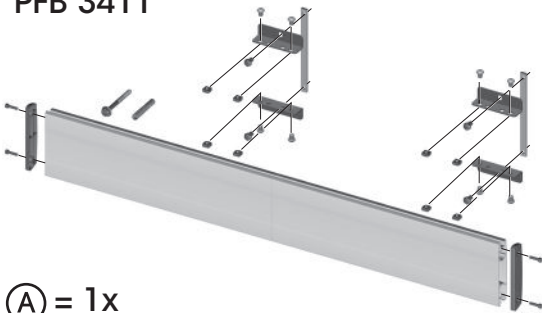


PFB 3402
 PFB 3405
 PFB 3407
 PFB 3409



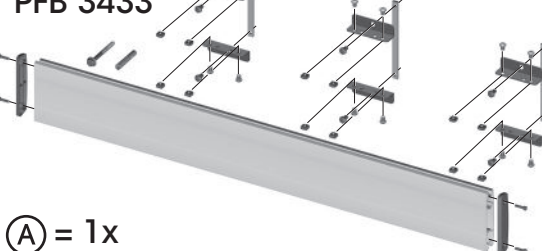
- (A) = 1x
 (B) = 2x (C) = 1x (D) = 4x (E) = 4x
 (F) = 2x (G) = 4x (H) = 2x (I) = 2x

PFB 3411

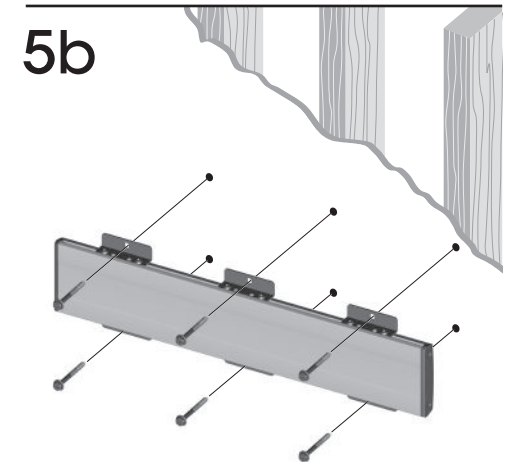
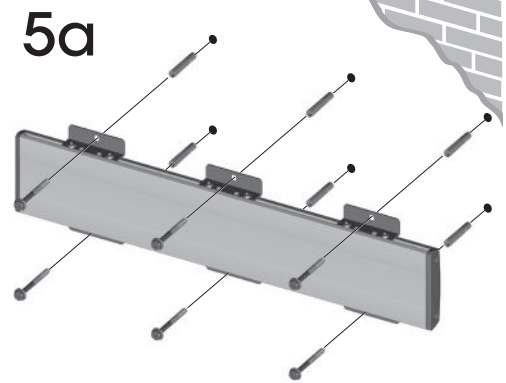
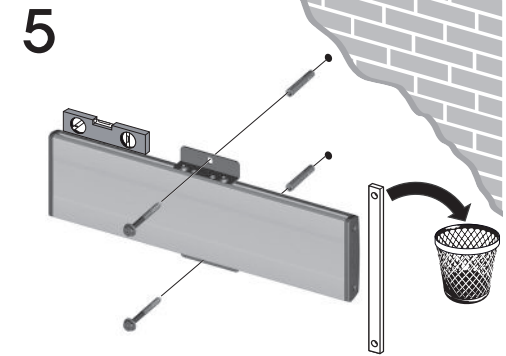
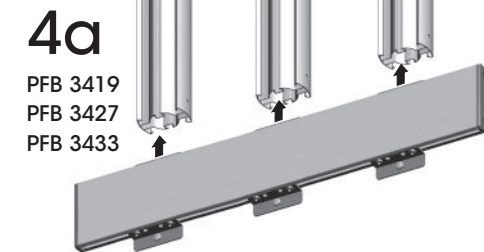
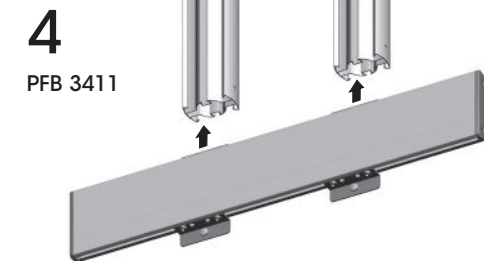
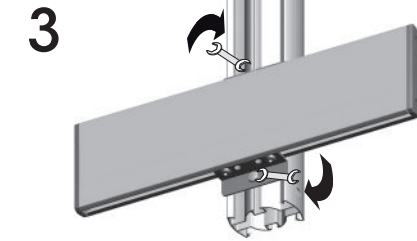
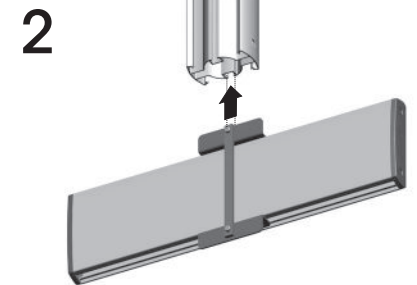
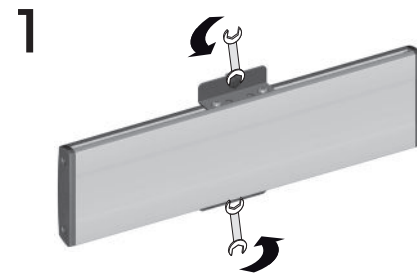


- (A) = 1x
 (B) = 4x (C) = 2x (D) = 8x (E) = 8x
 (F) = 2x (G) = 4x (H) = 4x (I) = 4x

PFB 3419
 PFB 3427
 PFB 3433



- (A) = 1x
 (B) = 6x (C) = 3x (D) = 12x (E) = 12x
 (F) = 2x (G) = 4x (H) = 6x (I) = 6x



- (GB) Subject to printing errors and technical amendments.
 (NL) Drukfouten en technische wijzigingen voorbehouden.
 (F) Sous réserve de fautes d'impression et de modifications techniques.
 (D) Für Druckfehler übernehmen wir keine Verantwortung. Technische Änderungen vorbehalten.
 (E) Reservados errores de imprenta y sujeta a modificaciones.
 (I) Con riserva di modifiche tecniche e di eventuali errori di stampa.
 (P) Reserva-se a ocorrência de gralhas e de modificações técnicas.
 (H) Nyomdahibák és technikai változtatások joga fenntartva.
 (PL) Zastrzeżenie możliwości występowania błędów drukarskich i zmian technicznych.
 (RUS) Возможны ошибки при печати и технические модификации.

Designed and engineered in the Netherlands
 More information on: www.vogels.com

VOGELS PRODUCTS BV, HONDSRUGLAAN 93, 5628 DB EINDHOVEN, THE NETHERLANDS