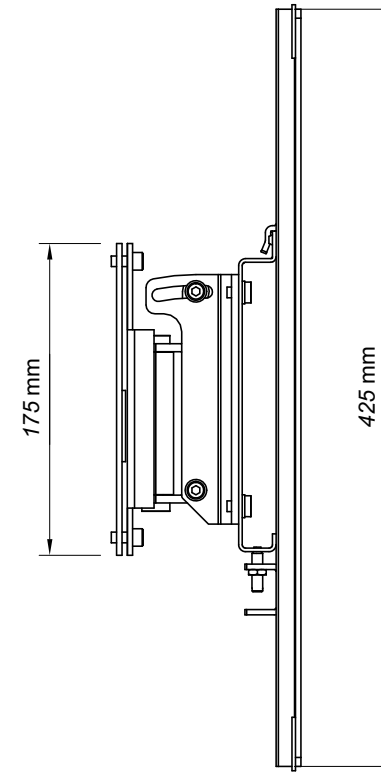
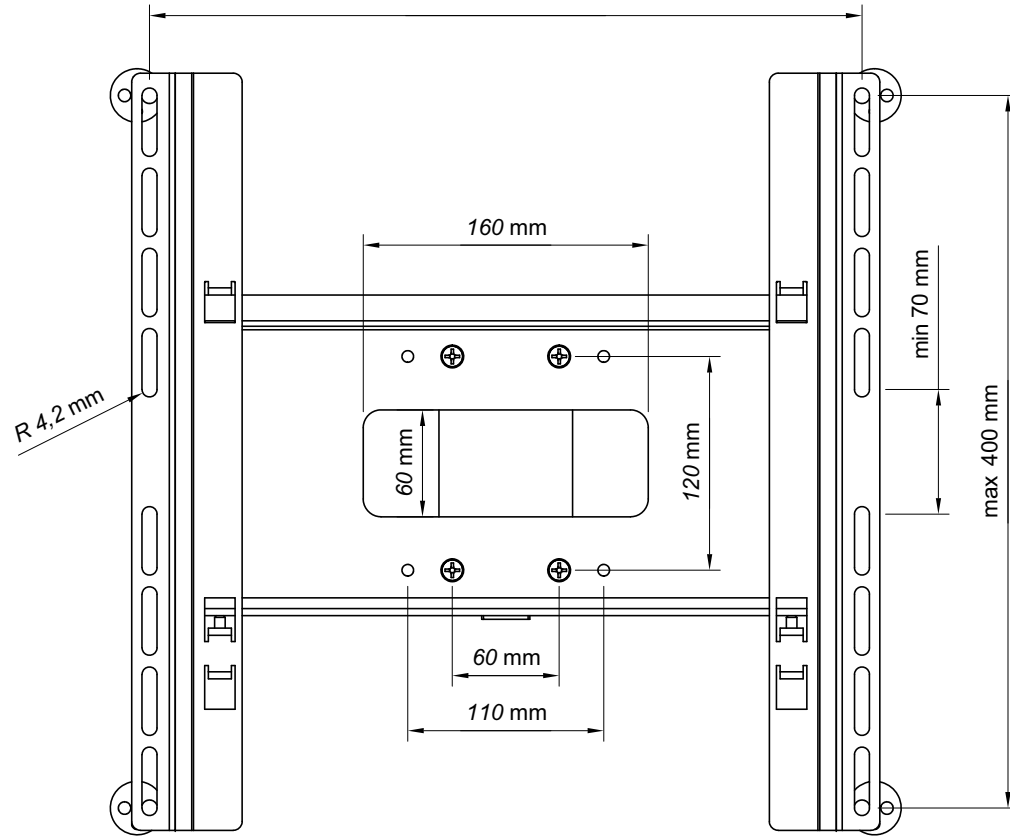


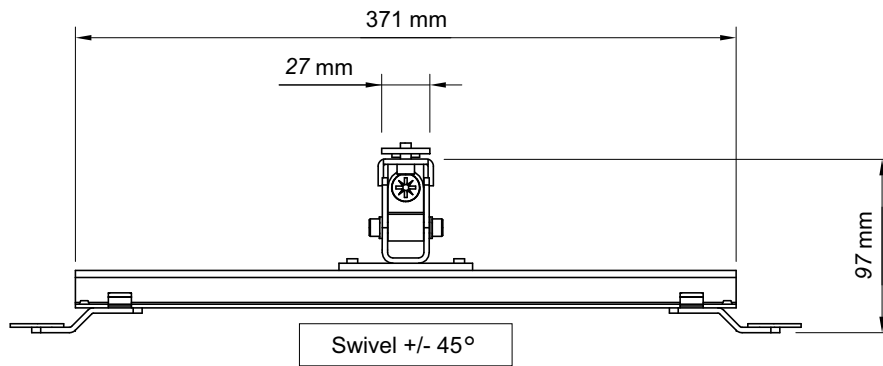
SMS Flatscreen M ST incl M Unislide

2010-01-12

min 100 mm
max appr 420 mm



Tilt $-3^\circ / +12^\circ$



Swivel $\pm 45^\circ$