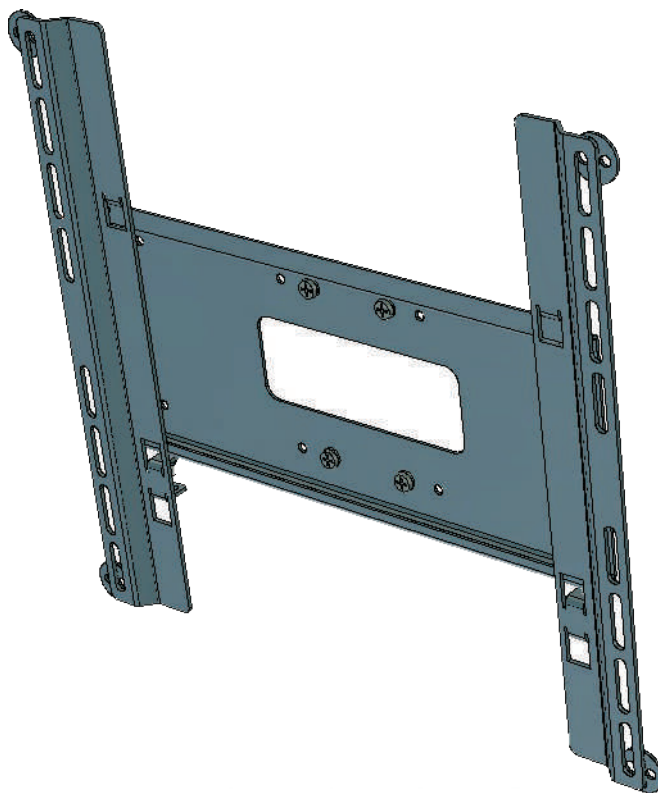
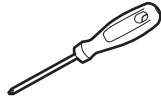


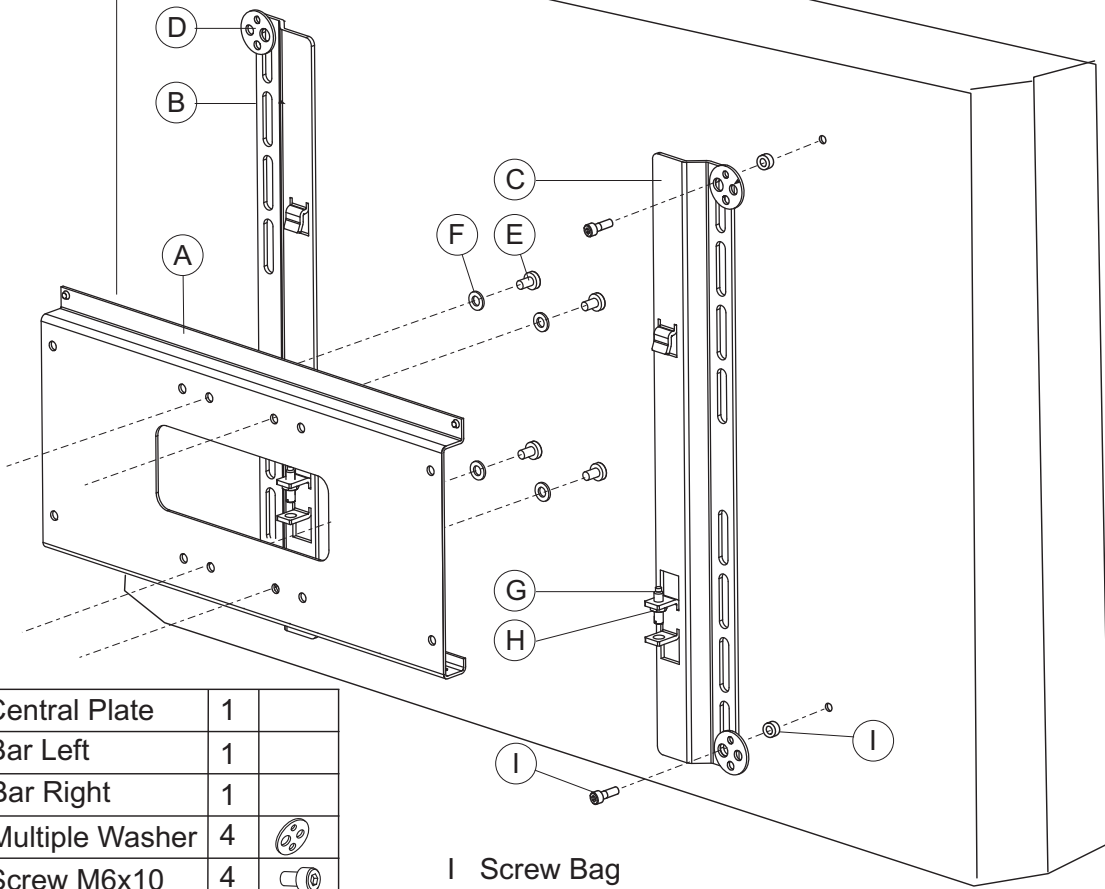
MANUAL

- GB – Instructions for Mounting
- DE – Montageinformation
- IT – Istruzioni per il montaggio
- ES – Instrucciones para el montaje
- FI – Asennusohjeet
- FR – Instructions de montage
- NL – Montagevoorschriften
- PL – Instrukcja montażu
- RUS – Инструкция по монтажу
- ARB – إرشادات التركيب
- SE – Monteringsinstruktion
- GR – Πληροφορίες συναρμολόγησης





10 mm

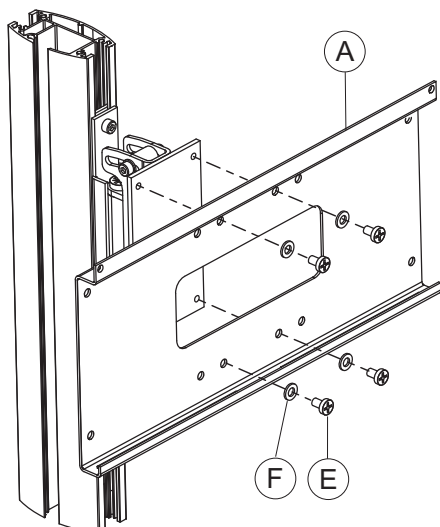


A	Central Plate	1	
B	Bar Left	1	
C	Bar Right	1	
D	Multiple Washer	4	
E	Screw M6x10	4	
F	Washer 6,4	4	
G	Screw M6x25	2	
H	Nut M6	2	
I	Screw Bag	1	

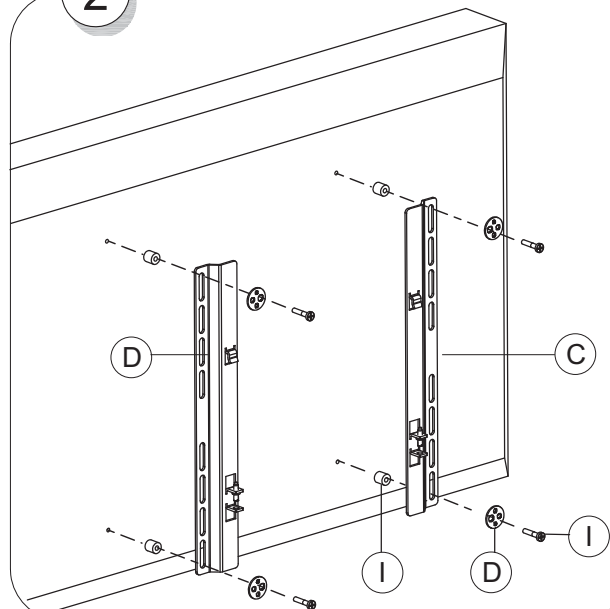
I Screw Bag

Screw M4x16	4			
Screw M6x16	4			
Screw M6x30	4		Plastic spacer 6,1/15x5	4
Screw M8x20	4		Plastic spacer 8,2/15x10	4

1

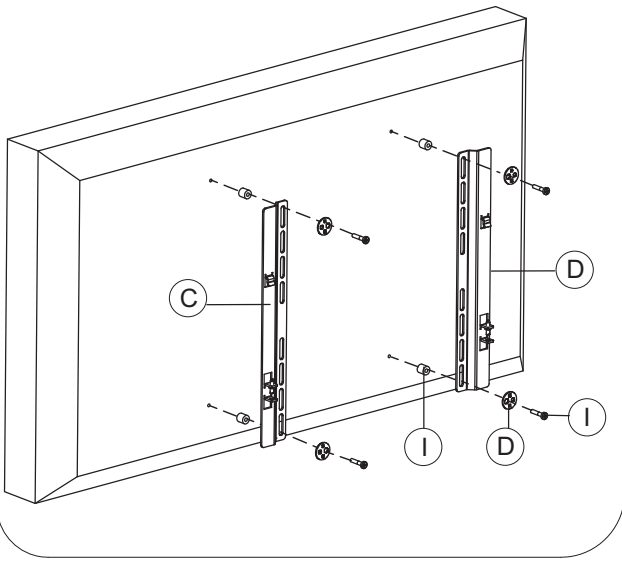


2

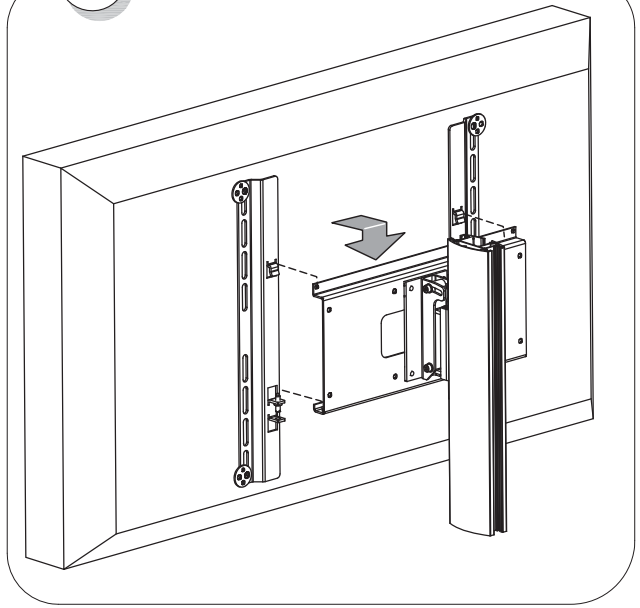


3

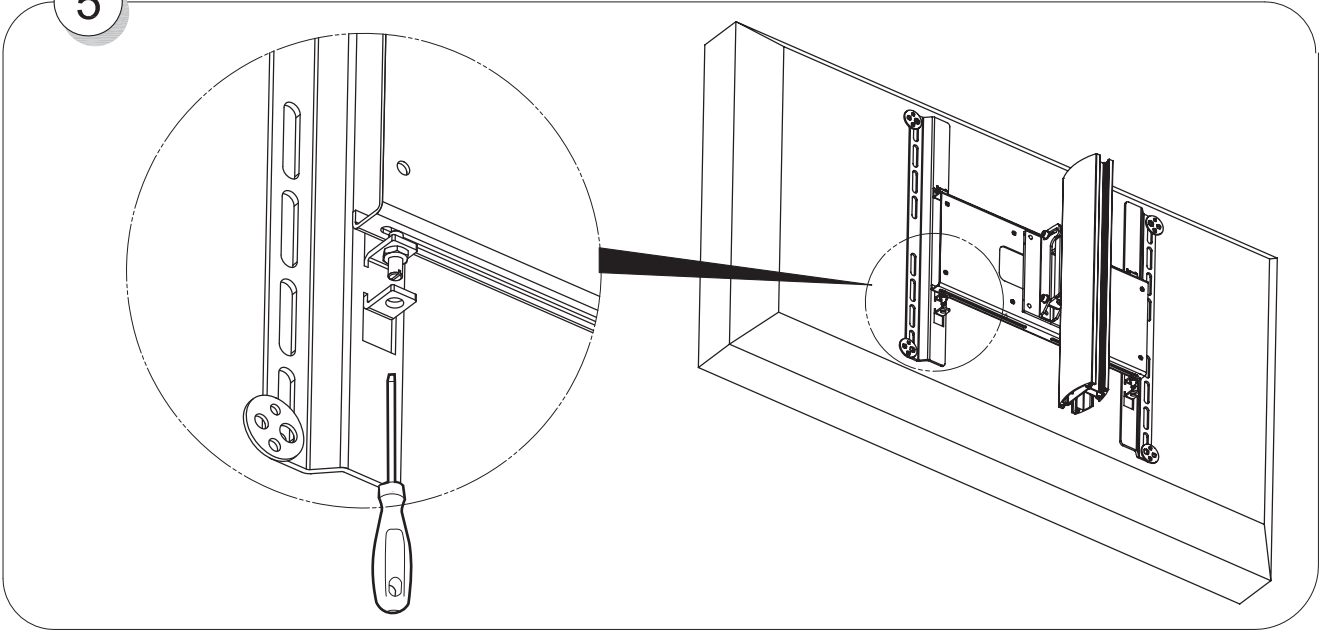
Alternative installing vertical plates



4



5





www.SmartMediaSolutions.se

SMS Smart Media Solutions AB, Hästholmsvägen 32, SE-131 30 Nacka, +46 (0)8 448 26 60

2010-01-07