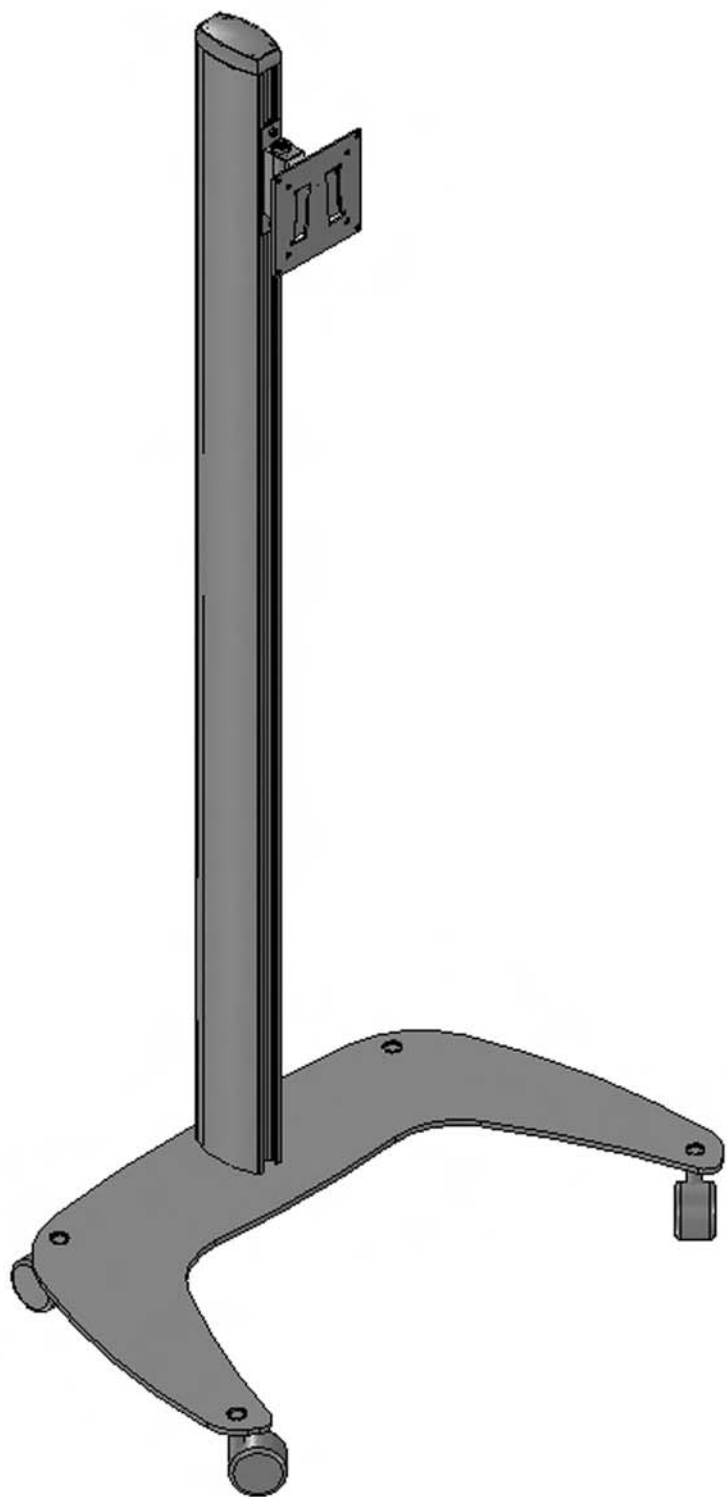
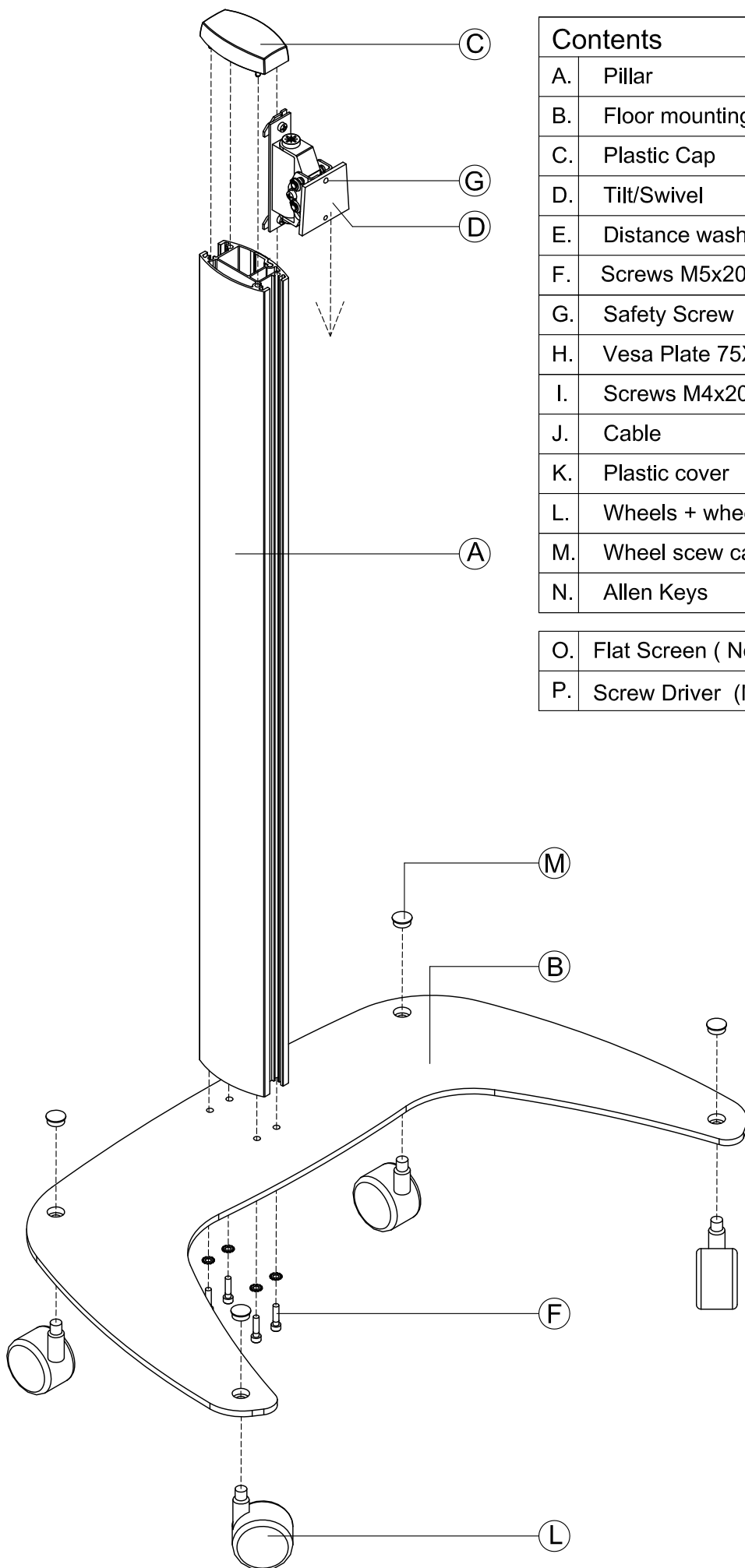







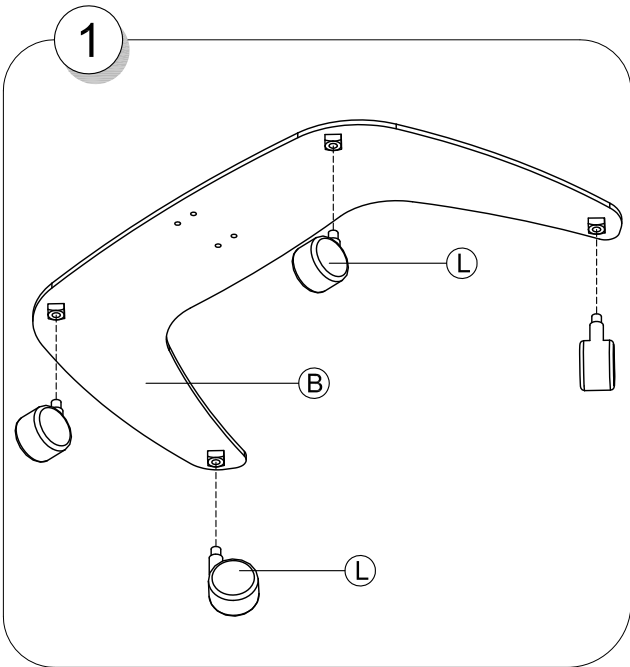
# SMS FLATSCREEN FL MST800/1200



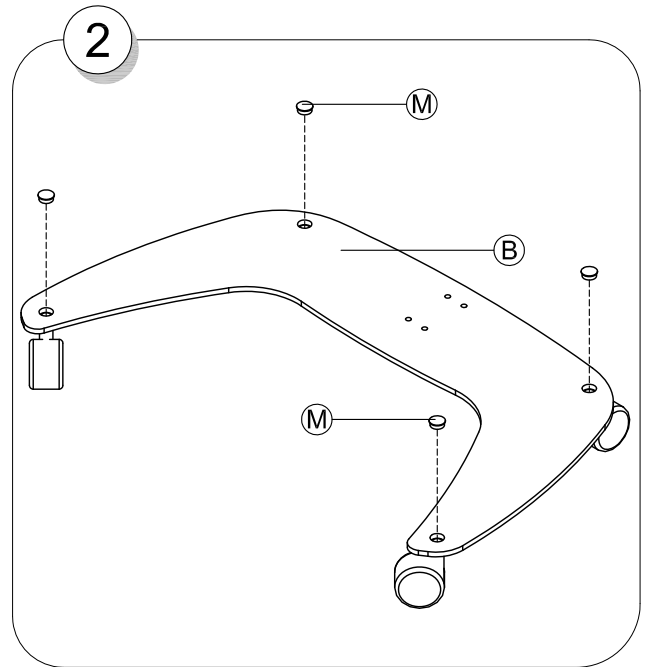


Contents		
A.	Pillar	1
B.	Floor mounting plate	1
C.	Plastic Cap	1
D.	Tilt/Swivel	1
E.	Distance washers	 2
F.	Screws M5x20+washers	 4+4
G.	Safety Screw	 1
H.	Vesa Plate 75X75 / 100X100	1
I.	Screws M4x20/M4x10	 4+4
J.	Cable	2
K.	Plastic cover	1
L.	Wheels + wheel screws	4+4
M.	Wheel scw cap(plastic)	4
N.	Allen Keys	 3
O.	Flat Screen ( Not included )	
P.	Screw Driver (Not included)	

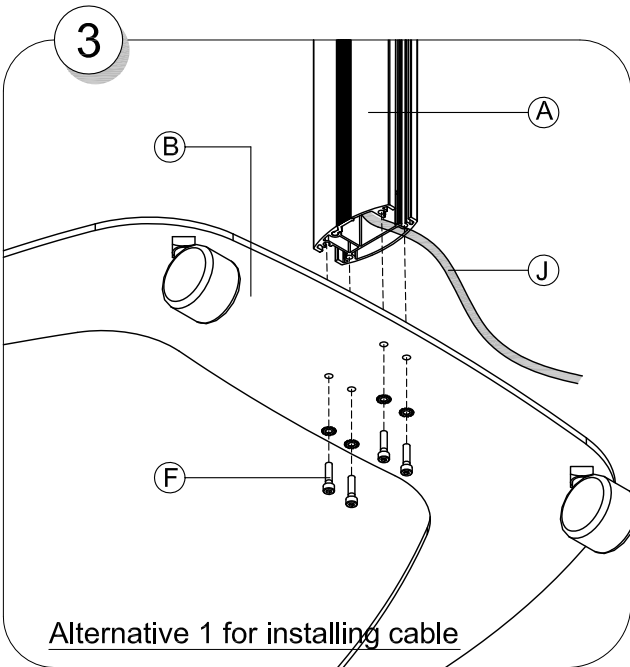
1



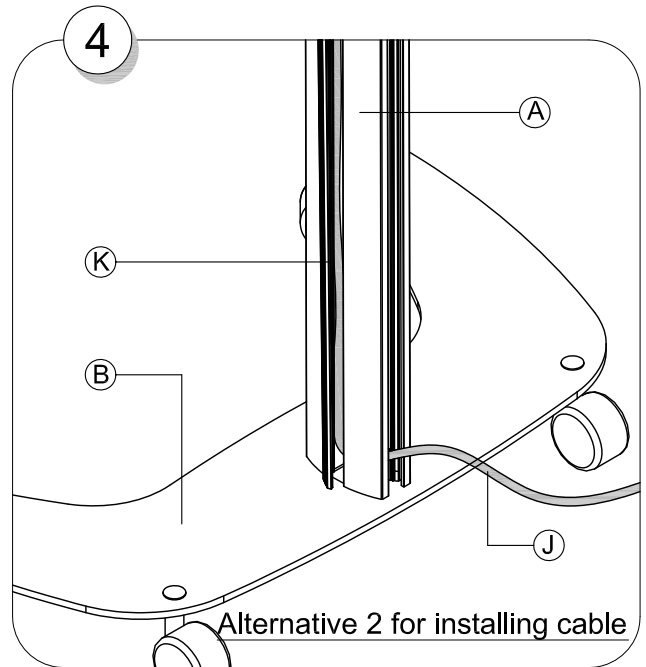
2



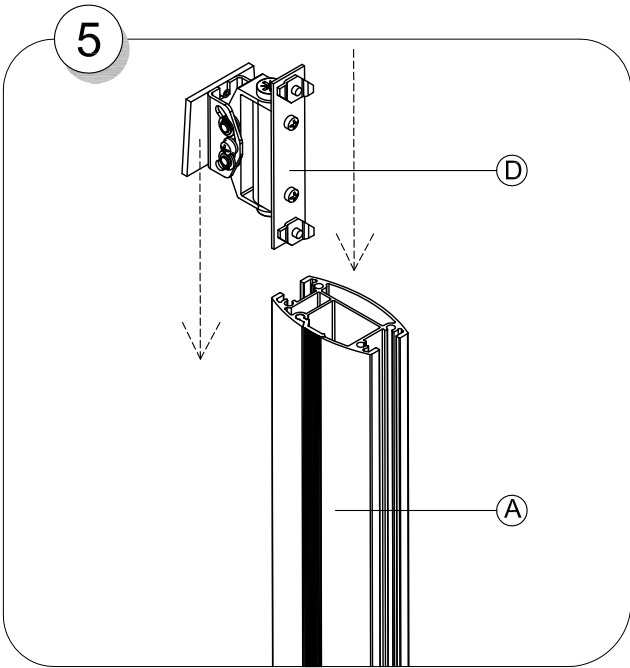
3



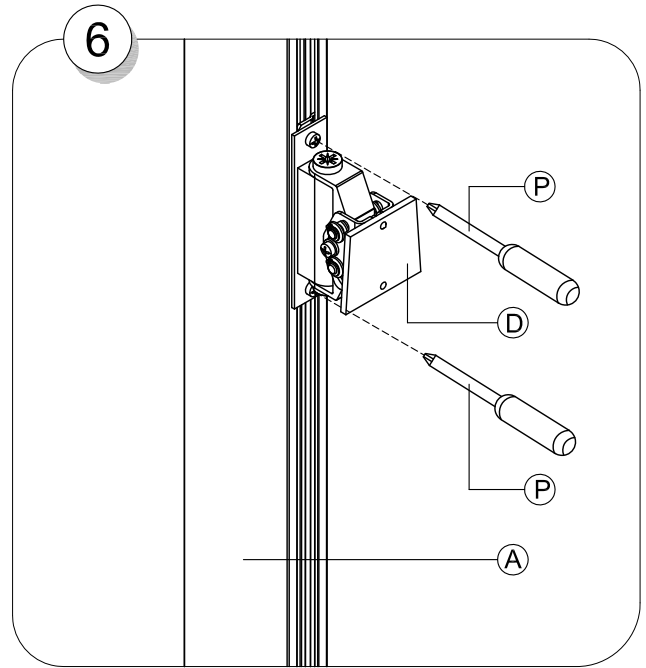
4



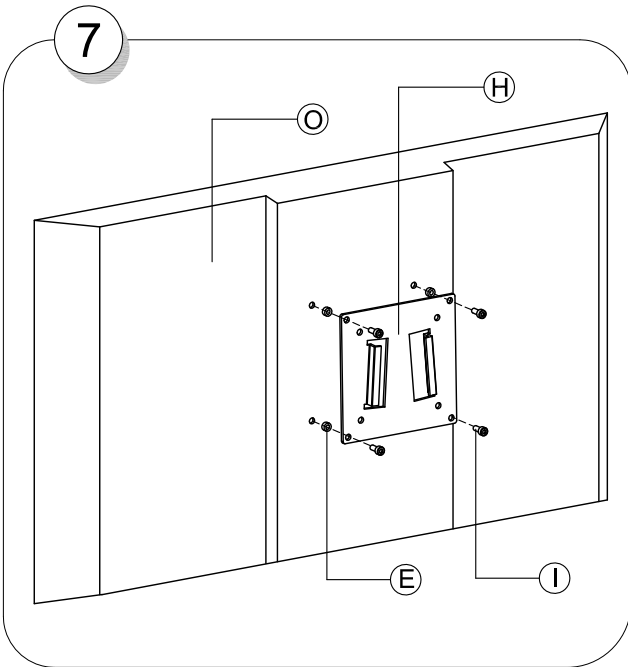
5



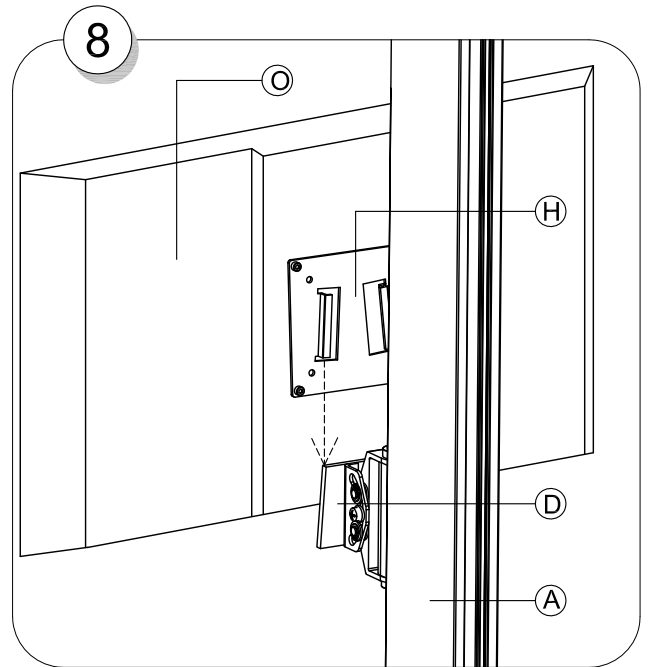
6



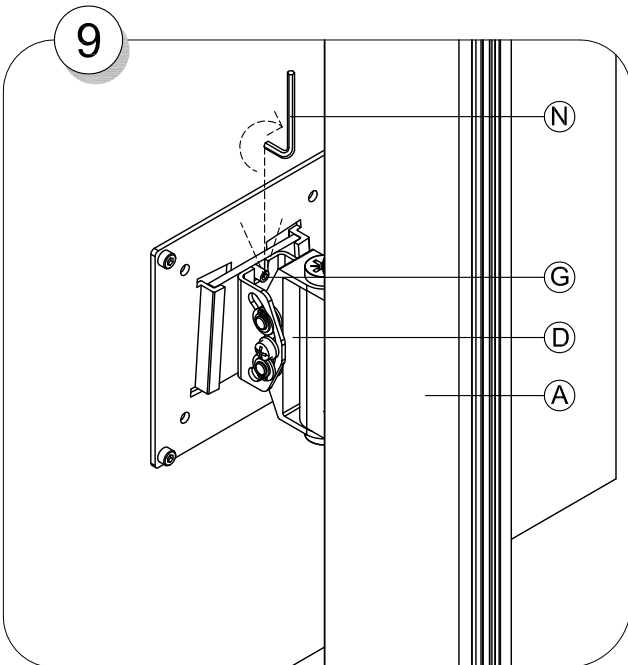
7



8



9



10

