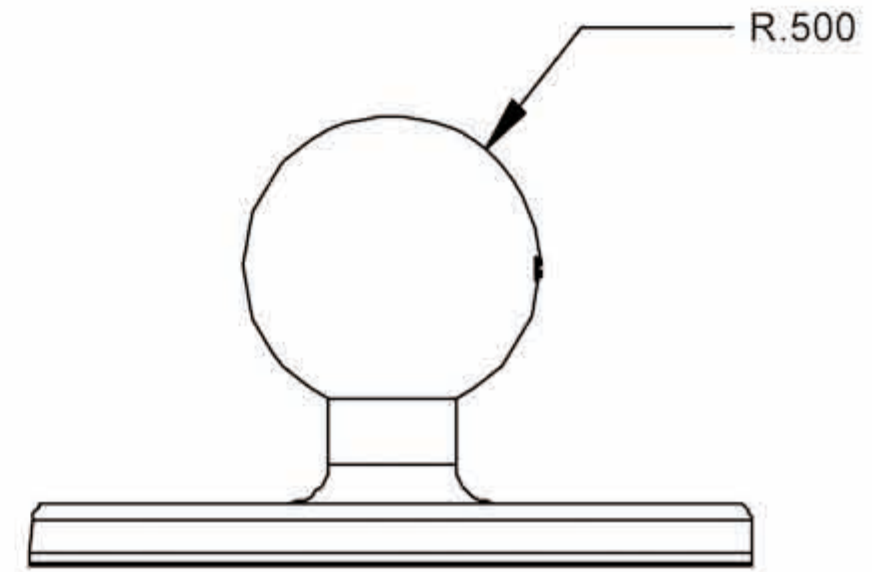
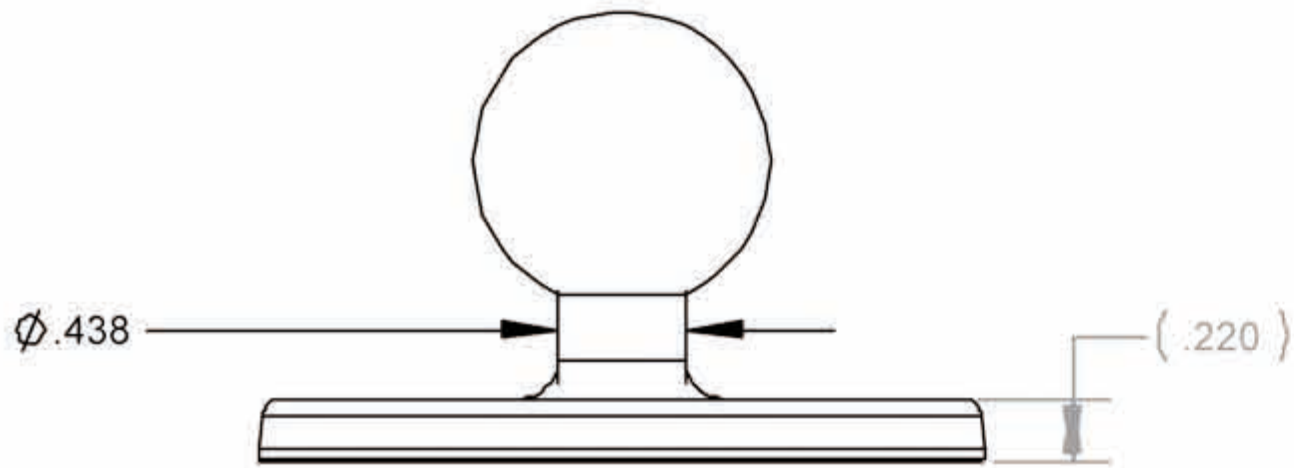
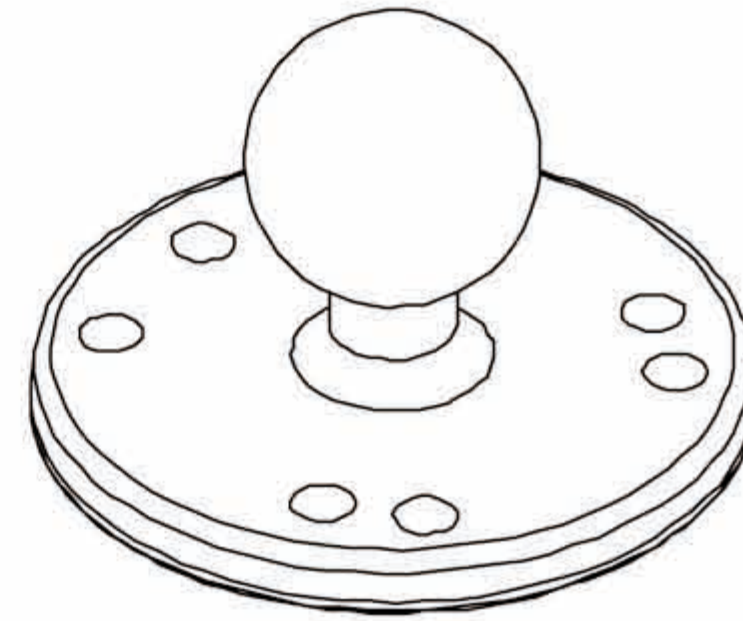
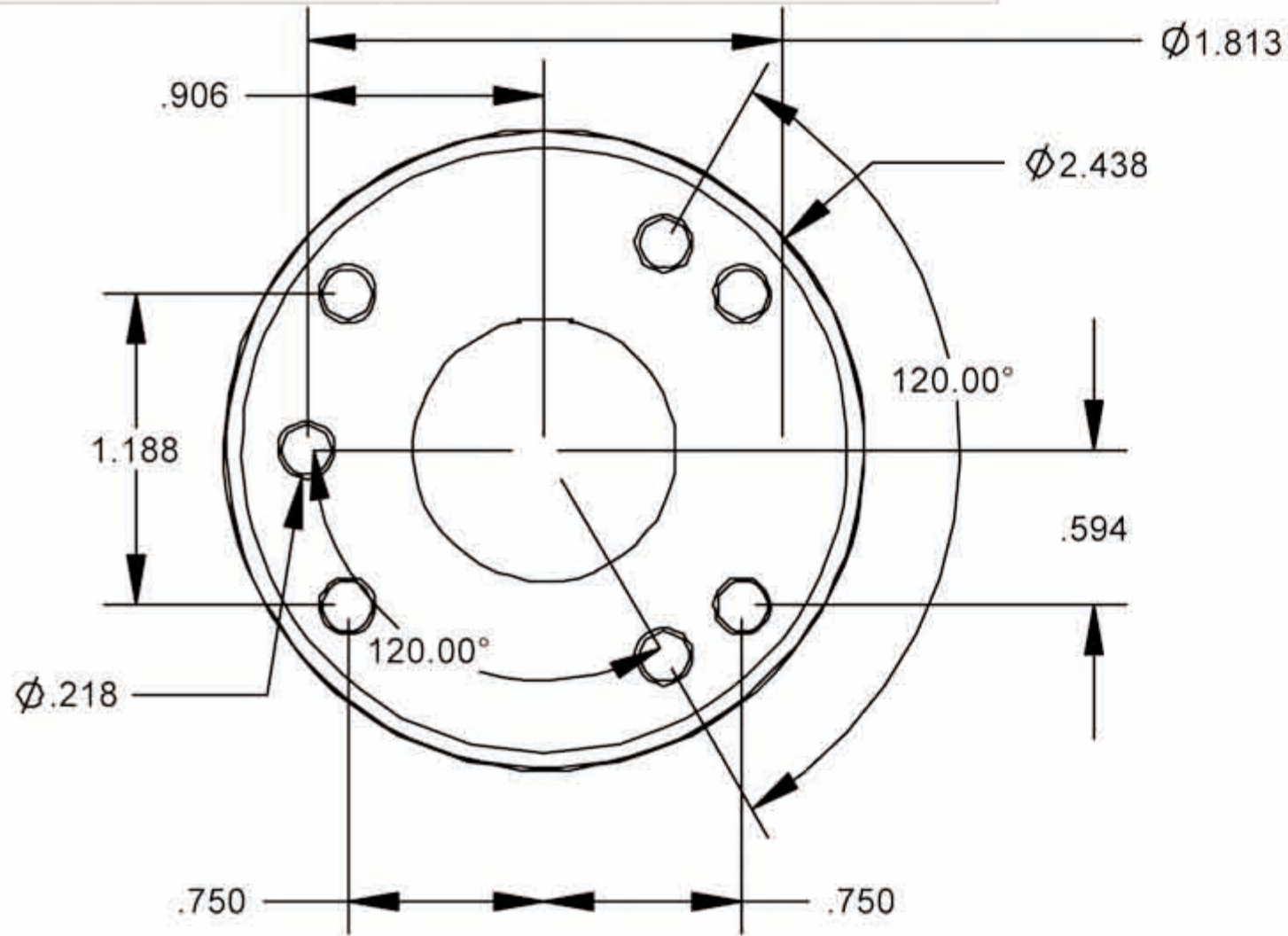


THE INFORMATION CONTAINED IN THIS DRAWING IS THE SOLE PROPERTY OF NATIONAL PRODUCTS INC. ANY REPRODUCTION IN PART OR WHOLE WITHOUT THE WRITTEN PERMISSION OF NATIONAL PRODUCTS INC. IS PROHIBITED.



ITEM NO.	PART OR IDENTIFYING NO.	NOMENCLATURE OR DESCRIPTION	MATERIAL SPECIFICATION	QTY REQD
PARTS LIST				
UNLESS OTHERWISE SPECIFIED DIMENSIONS ARE IN INCHES TOLERANCES ARE:		CAD GENERATED DRAWING, DO NOT MANUALLY UPDATE		NATIONAL PRODUCTS INC. 1017 S. ELMGROVE ST. SEATTLE, WA 98108
FRACTIONS	DECIMALS	ANGLES	APPROVALS	
$\pm 1/32$	$.XX \pm .06$	$\pm 1 \text{ DEG.}$	DRAWN JDC	2/6/99
	$.XXX \pm .030$		CHECKED CMR	04/20/01
MATERIAL	ALUMINUM		RESP ENG	
FINISH	BLACK POWDER COAT		MFG ENG	
NEXT ASSY	USED ON	DO NOT SCALE DRAWING	QUAL ENG	
		SIZE A	DWG. NO. RAM-B-202	REV.
		SCALE	CAD FILE: RAMB202	SHEET 1 OF 1