

**SR598-HUB** SmartMount® Cart for use with the Microsoft® Surface™ Hub (Compatible with both 55" and 84" Models)

**Product Specifications**

	DIMENSIONS (W X H X D)	PRODUCT WEIGHT	LOAD CAPACITY	FINISH	AVAILABLE COLORS
<b>SR598-HUB</b>	51.15" x 72.44" x 29.97" (1299 x 1840 x 761mm)	95lb (43.1kg)	300lb (136.1kg)	Textured Powder Coat	Black

**Package Specifications**

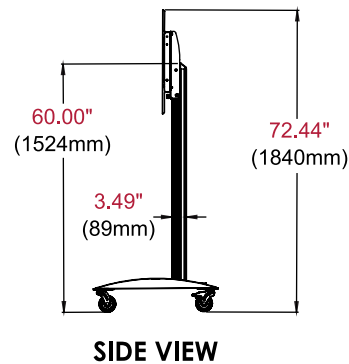
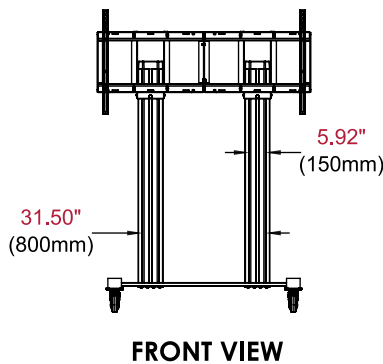
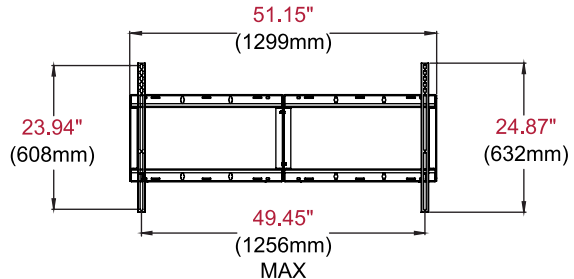
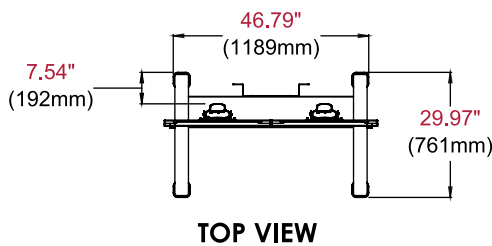
	PACKAGE SIZE (W x H x D)	PACKAGE SHIP WEIGHT	PACKAGE UPC CODE	PACKAGE CONTENTS	UNITS IN PACKAGE
<b>SR598-HUB</b>	47.50" x 12.50" x 38.50" (1207 x 318 x 978mm)	115lb (52.2kg)	735029311928	Assembled base, (2) Aluminum columns, Universal display adaptor, (2) swivel casters, (2) locking swivel casters, hardware & instructions	1

**Accessories**

**ACC320:** Electrical Outlet Strip with Cord Wrap  
**ACC-GS1:** SmartMount® Tempered Glass Shelf

**ACC-MS:** SmartMount® Metal Shelf  
**ACC-VCS:** SmartMount® Video Conferencing Camera Shelf

All dimensions = inch (mm)



**Architect Specifications**

The SmartMount® Cart for use with the Microsoft® Surface™ Hub shall be a Peerless-AV model SR598-HUB and shall be located where indicated on the plans. Assembly and installation shall be done according to instructions provided by the manufacturer.

Visit [peerless-av.com](http://peerless-av.com) to see the complete line of AV solutions from Peerless-AV, including outdoor displays, wireless, kiosks, digital audio, display mounts, projector mounts, carts/stands, and a full assortment of accessories.

**Peerless-AV**  
 2300 White Oak Circle  
 Aurora, IL 60502 USA  
**(800) 865-2112**  
**(630) 375-5100**  
**Fax: (800) 359-6500**

**Peerless-AV Europe**  
 Unit 3 Watford Interchange  
 Colonial Way, Watford  
 Herts, WD24 4WP  
 United Kingdom  
**+44 (0) 1923 200100**  
**Fax: +44 (0) 1923 200101**

**Peerless-AV de México**  
 Ave de las Industrias 413  
 Parque Industrial Escobedo  
 Escobedo, N.L.,  
 Mexico 66050  
**+52 (81) 8384-8300**  
**Fax: +52 (81) 8384-8360**

