

# peerless-AV<sup>®</sup>

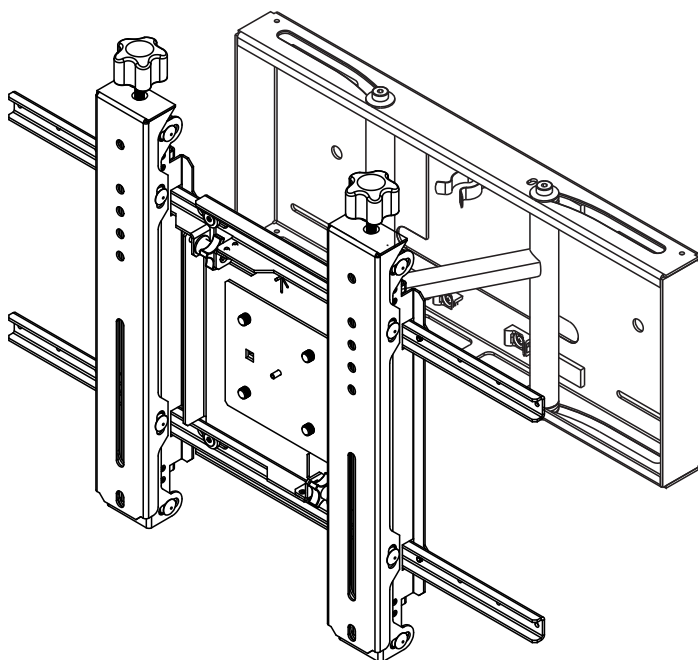
## DS-VWM770



46" - 70"  
(1168 - 1778 cm)



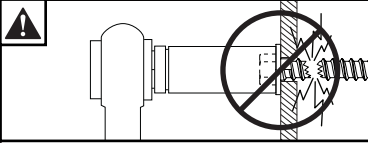
125 lb  
(56 kg)



## ⚠ WARNING

ENG - This product is designed to be installed on wood stud, solid concrete or cinder block walls. Hardware is included for wood stud, solid concrete and cinder block installation. Before installing make sure the supporting surface will support the combined load of the equipment and hardware. Screws must be tightly secured. Do not overtighten screws or damage can occur and product may fail. Never exceed the Maximum Load Capacity. Always use an assistant or mechanical lifting equipment to safely lift and position equipment. This product is intended for indoor use only. Use of this product outdoors could lead to product failure or personal injury. Be careful not to pinch fingers when operating the mount. For support please call customer care at 1-800-865-2112.

ENG Symbols



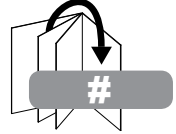
ENG Do not overtighten screws.



ENG Screws must get at least three full turns and fit snug.

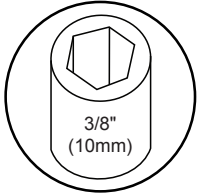
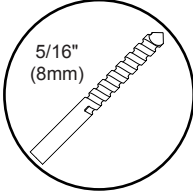
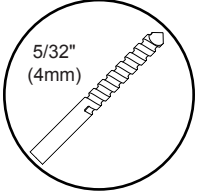
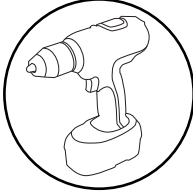
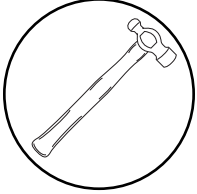
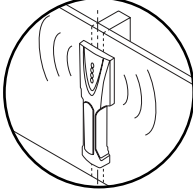
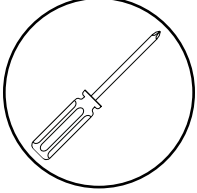
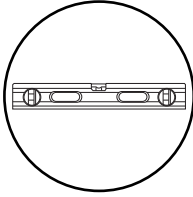
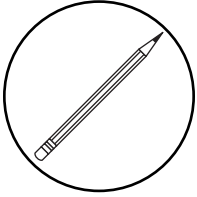


ENG WARNING



ENG Skip to step.

**ENG** Tools Needed for Assembly.



<b>ENG</b> To properly tighten screws: Tighten until screw head makes contact, then tighten another 1/2 turn. Do not overtighten screws.
<b>1</b> 
<b>2</b> 
<b>3</b> 
<b>4</b> 

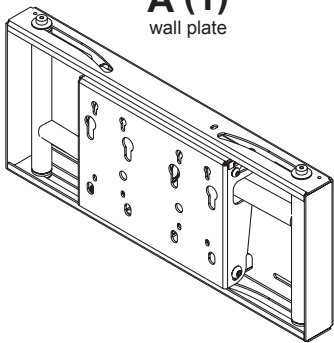
**ENG** Parts (Before beginning, make sure you have all parts shown below).

## Parts List

Part Description	Qty.	Part #
A wall plate	1	201-0387
B concrete anchor	4	590-0320
C wood screw	4	5S1-015-C03
D locking tab	1	200-1871
E .219" spacer	1	540-1032
F polyester sleeve	2	600-1014
G cable tie	4	560-9711
H M5 x 10mm screw	5	520-1063
I M4 x 12mm screw	4	510-1079
J M5 x 40mm screw	1	510-1001
K 4mm allen wrench	1	560-9646
L adaptor bracket	2	145-1779
M plate assembly	1	145-1784
N M10 x 15mm	4	520-9262
O M5 x 8mm	4	520-1167
P M6 x 12mm	4	520-1050
Q shoulder washer	4	590-2233
R M8 x 15mm	4	520-1068

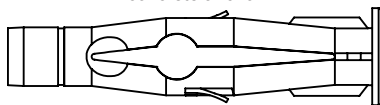
**A (1)**

wall plate



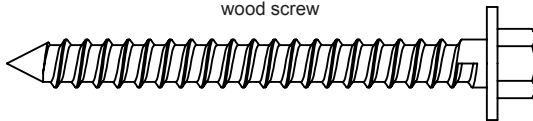
**B (4)**

concrete anchor



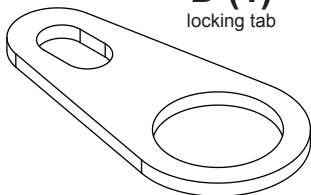
**C (4)**

wood screw



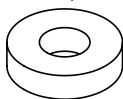
**D (1)**

locking tab



**E (1)**

.219" spacer



**F (2)**

polyester sleeve



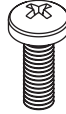
**G (4)**  
cable tie



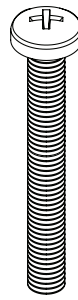
**H (5)**  
M5 x 10mm



**I (4)**  
M4 x 12mm

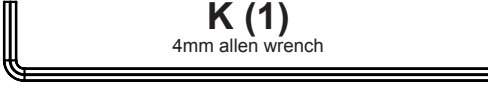


**J (1)**  
M5 x 40mm



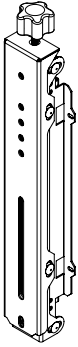
**K (1)**

4mm allen wrench



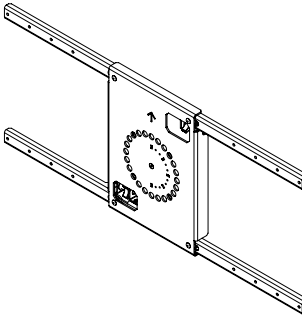
**L (2)**

adaptor bracket



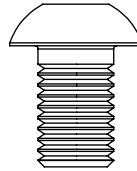
**M (1)**

plate assembly



**N (4)**

M10 x 15mm



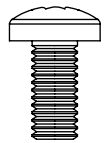
**O (4)**

M5 x 8mm



**P (4)**

M6 x 12mm



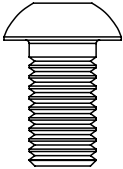
**Q (4)**

shoulder washer

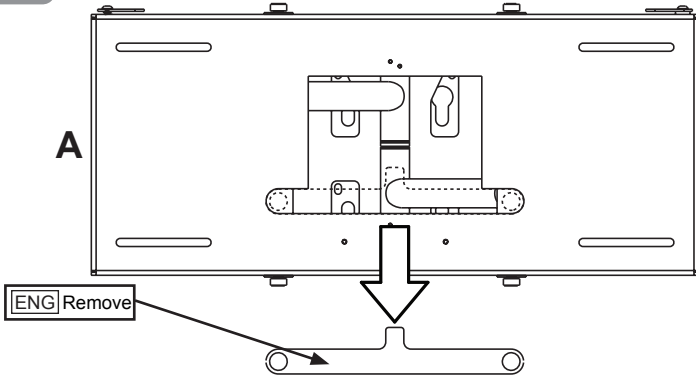


**R (4)**

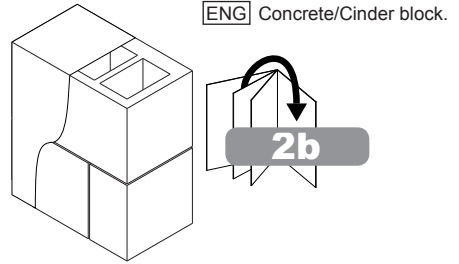
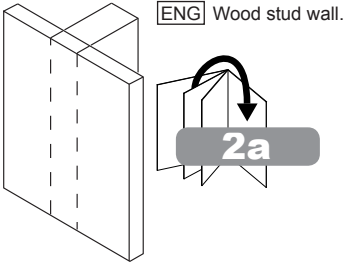
M8 x 15mm



1



2



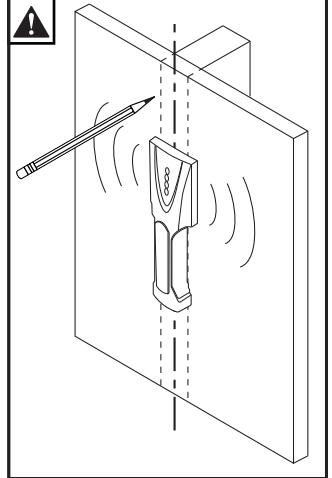
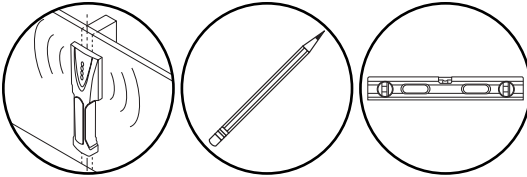
2a

2a-1

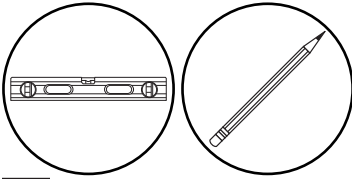
ENG Use stud finder to locate and mark stud center lines.

**⚠ WARNING**

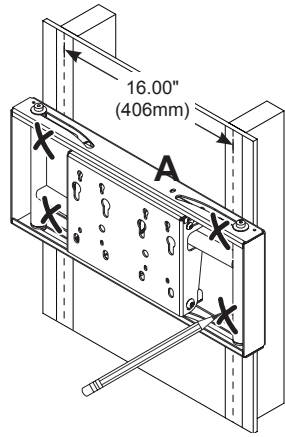
ENG - When installing Peerless wall mounts on a wood stud wall covered with gypsum board (drywall), verify that the woods studs are a minimum of 2" x 4" nominal size. Do not install over gypsum board thicker than 5/8".



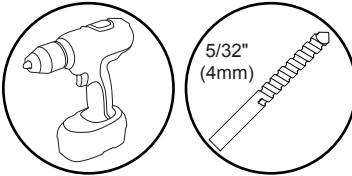
## 2a-2



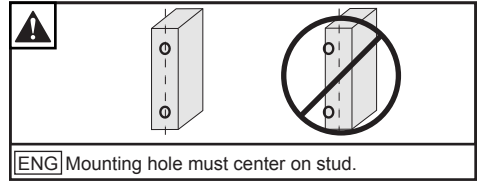
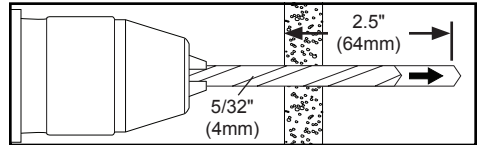
**ENG** Level wallplate. Mark mounting holes on stud centerlines (studs must be 16" (406mm) on center).



## 2a-3

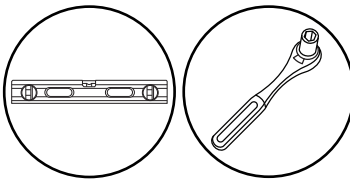


**ENG** Drill mounting holes into supporting surface (2.5" (64mm) minimum depth required).

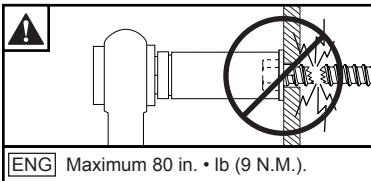


**ENG** Mounting hole must center on stud.

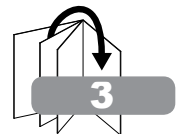
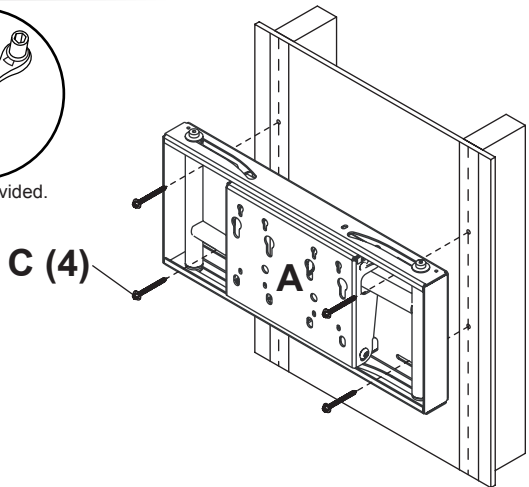
## 2a-4



**ENG** Level wallplate. Install using wood screws provided.



**ENG** Maximum 80 in. • lb (9 N.M.).



## 2b

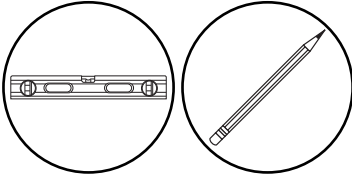
### ▲ WARNING

ENG • When installing Peerless wall mounts on a concrete wall, the wall must be at least 8" thick with a minimum compressive strength of 2000 psi.

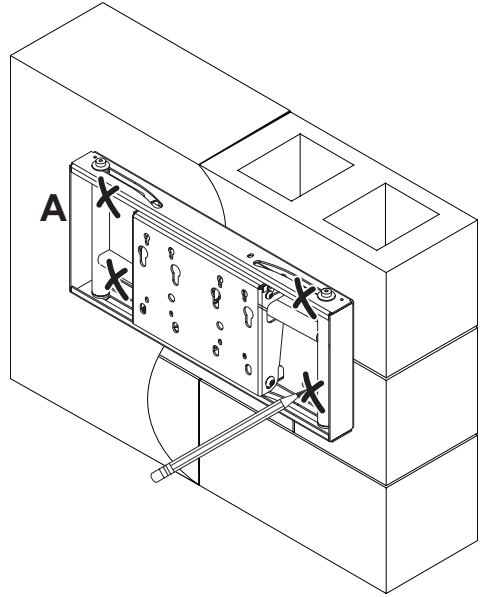
• When installing Peerless wall mounts on a cinder block wall, the cinder blocks must meet ASTM C-90 specifications and have a minimum nominal width of 8". Do not drill into mortar joints! Be sure to mount in a solid part of the block, generally 1" (25 mm) minimum from the side of the block. It is suggested that a standard electric drill on slow setting is used to drill the hole instead of a hammer drill to avoid breaking out the back of the hole when entering a void or cavity.

• Never attach expansion anchors to concrete or cinder block covered with plaster, drywall or other finishing material.

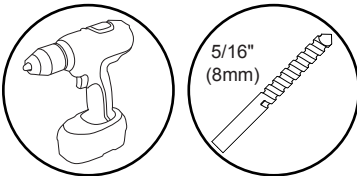
### 2b-1



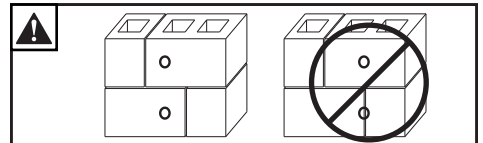
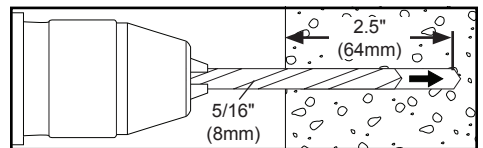
ENG Level wallplate. Mark mounting holes.



### 2b-2



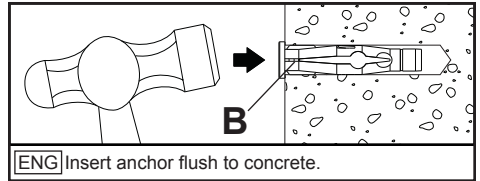
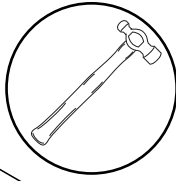
ENG Drill mounting holes into supporting surface (2.5" (64mm) minimum depth required).



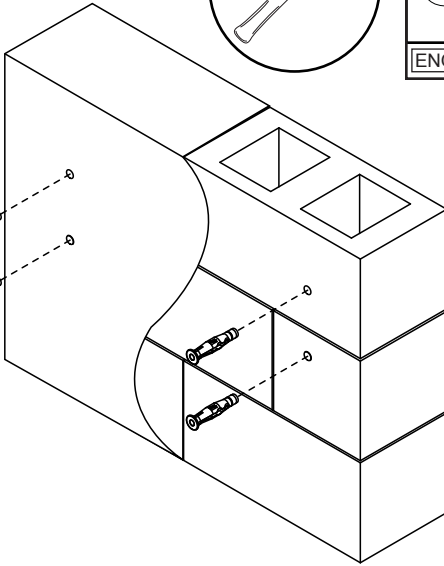
ENG Do not drill into mortar joints.



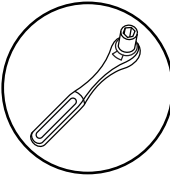
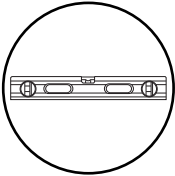
## 2b-3



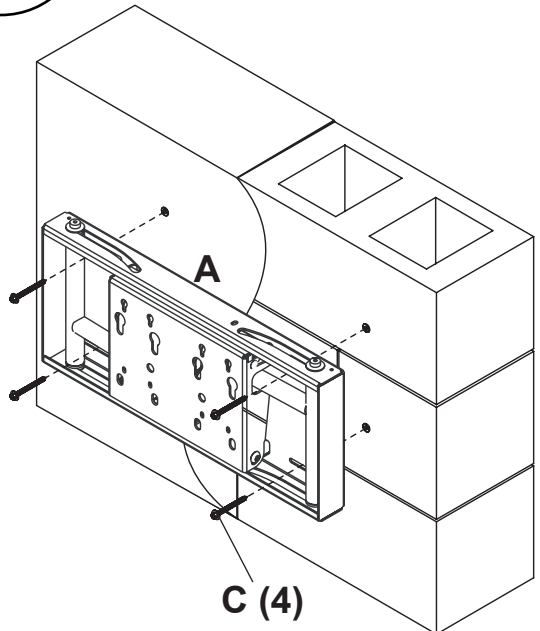
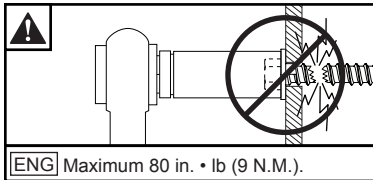
**B (4)**

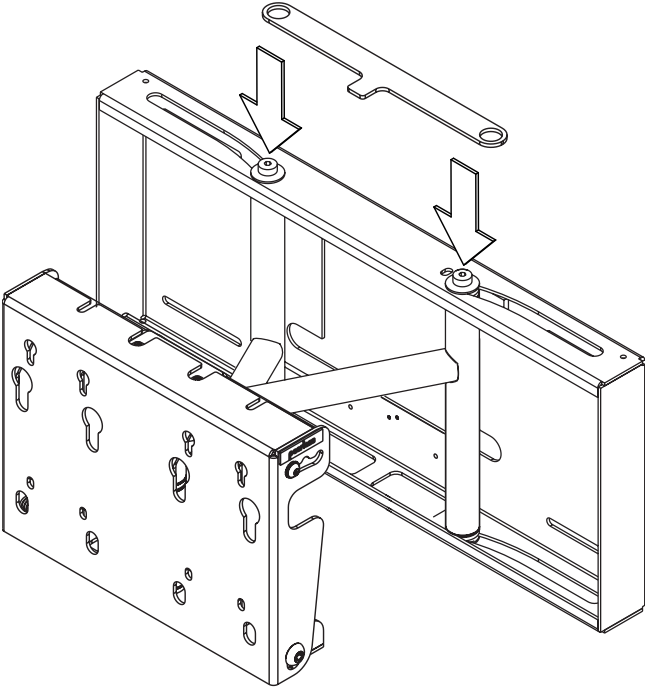
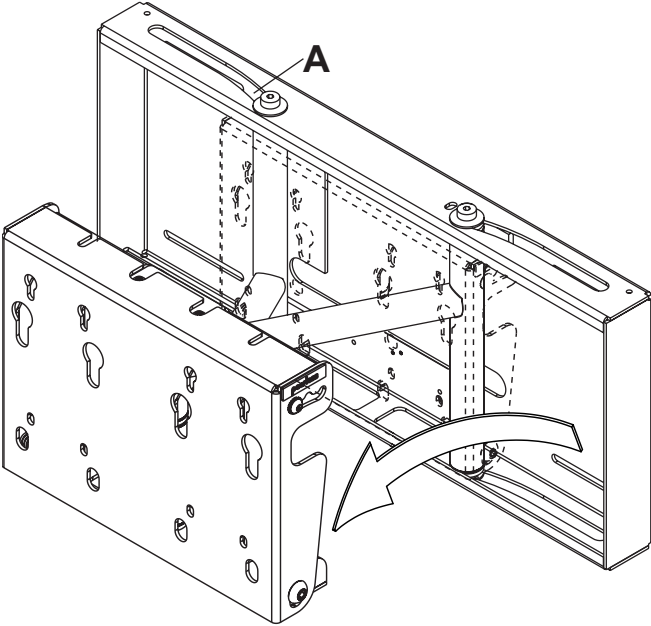


## 2b-4



**ENG** Level wallplate. Install using concrete anchors and wood screws provided.



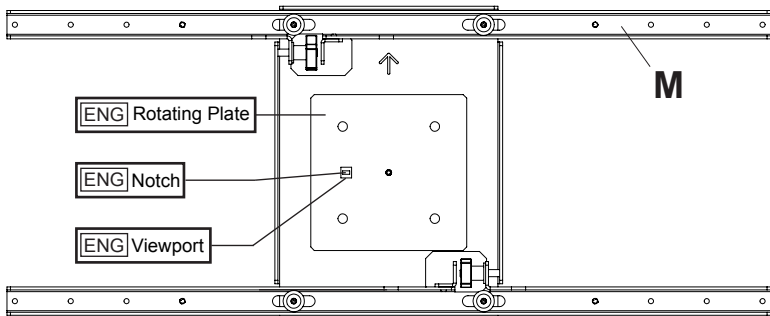


# 4

ENG Setting the angle of the display.

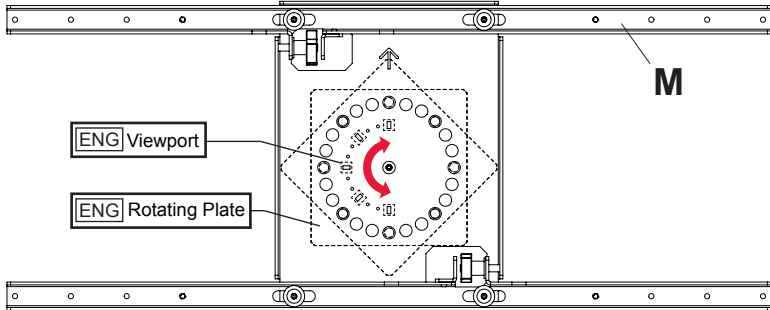
## 4-1

ENG The viewport is used to reveal notches indicating the angle (view) of the display.

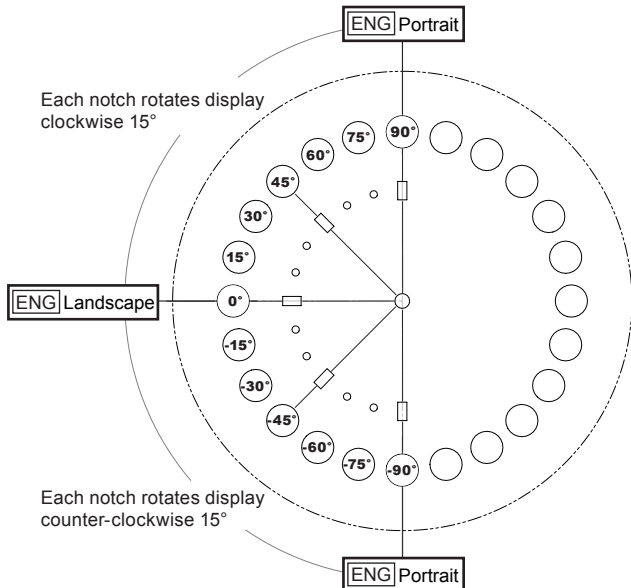


## 4-2

ENG Line up the viewport with the desired angle (view).

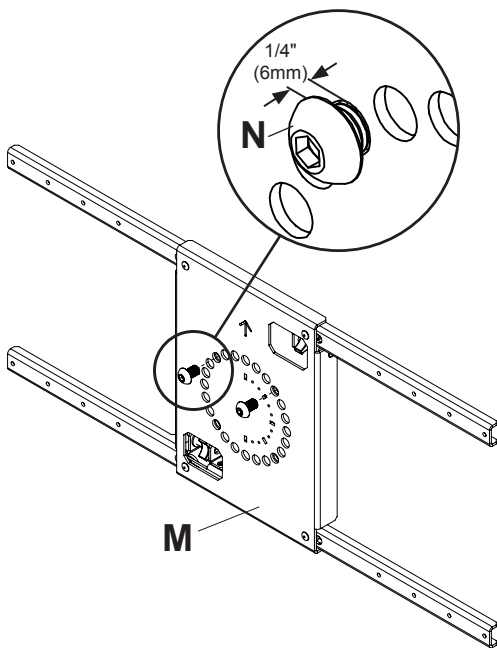


ENG Rotation Guide



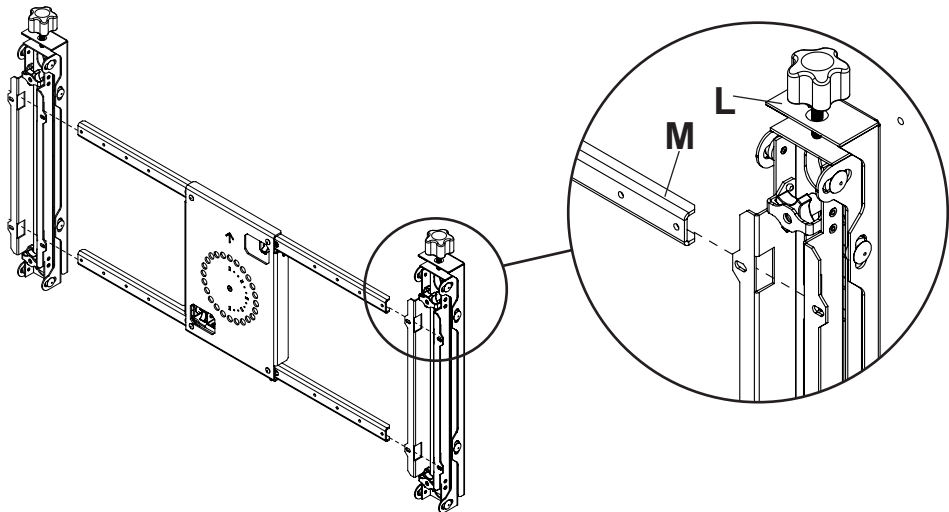
# 5

**ENG** Leaving 1/4" exposed thread, thread two M10 x 15mm (N) screws through plate assembly (M) and rotating plate.



# 6

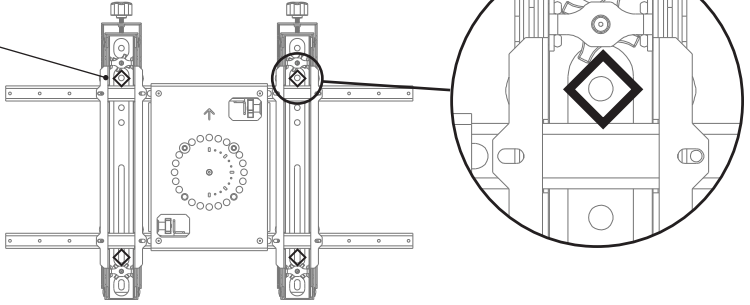
**ENG** Slide plate assembly (M) into adaptor bracket (L) slots.



# 6-1

ENG Determine VESA mounting pattern.

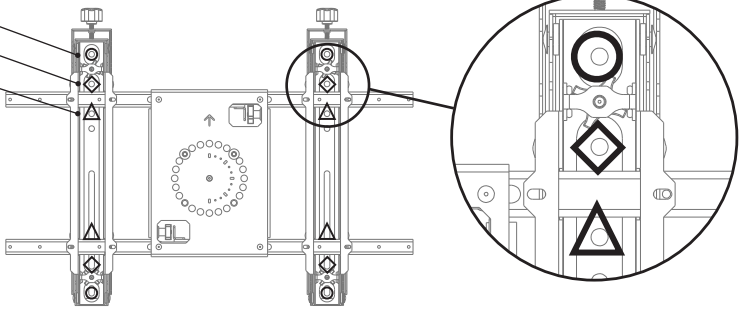
300mm x 300mm ◊



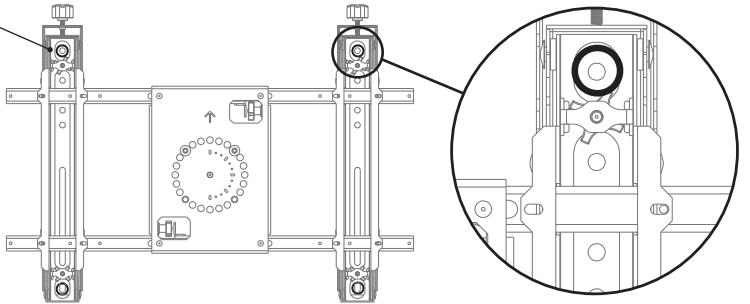
400mm x 400mm ○

400mm x 300mm ◊

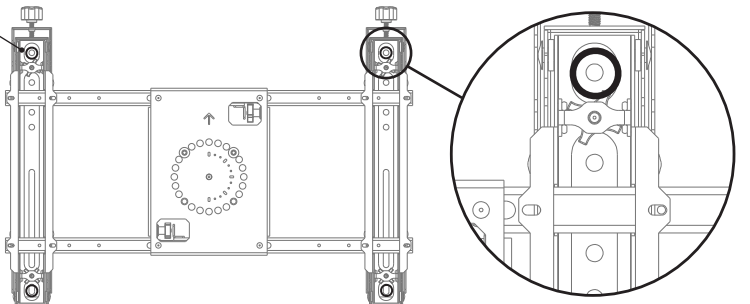
400mm x 200mm ▲



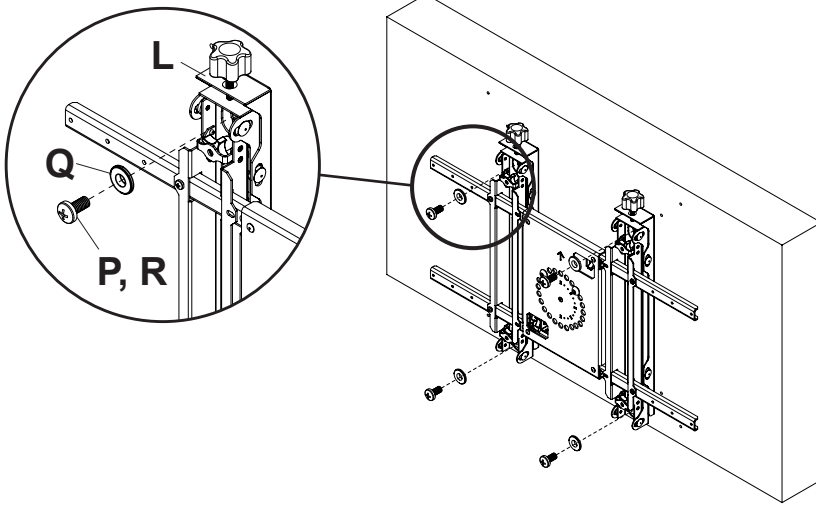
500mm x 400mm ○



600mm x 400mm ○

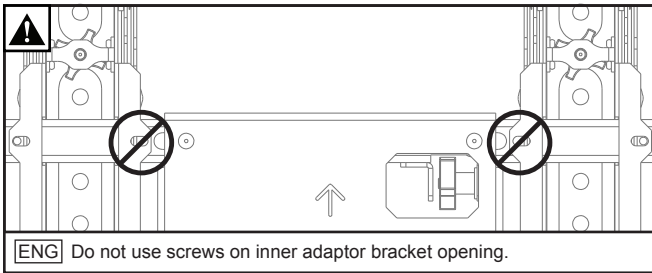
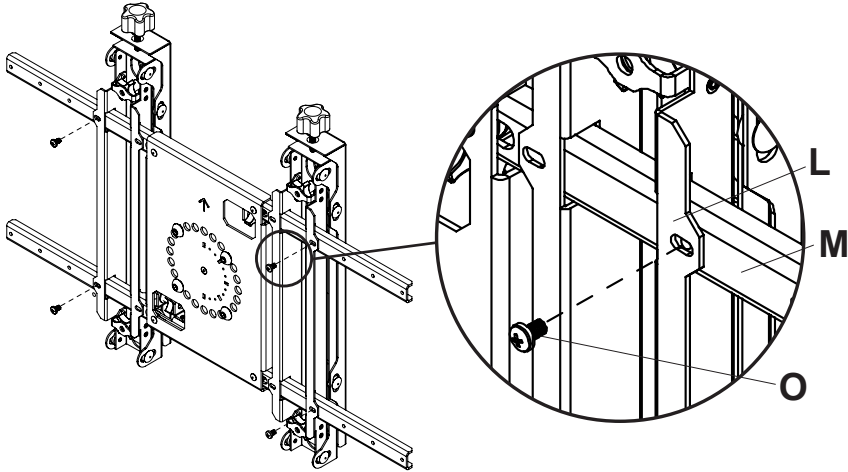


## 6-2



## 6-3

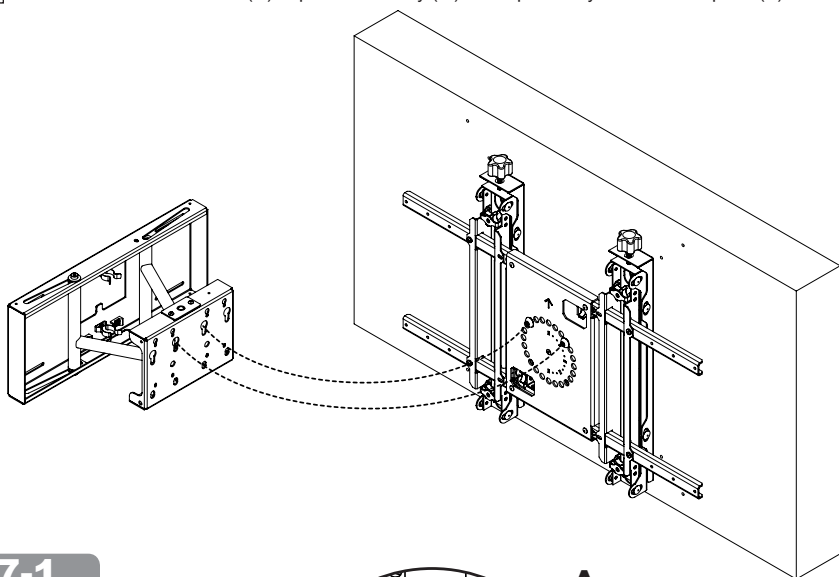
**ENG** Secure plate assembly (M) to adaptor bracket (L) with four M5 x 8mm screws (O).



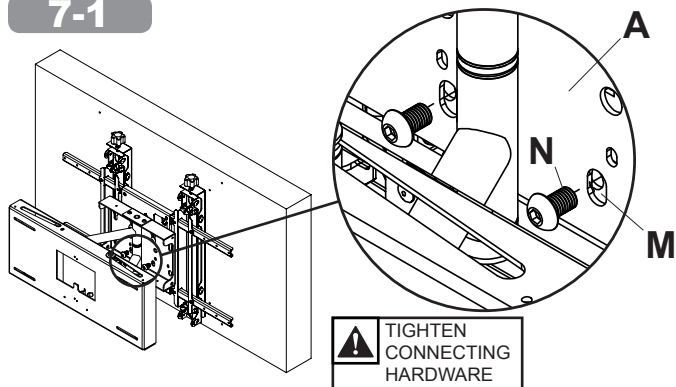
**ENG** Do not use screws on inner adaptor bracket opening.

# 7

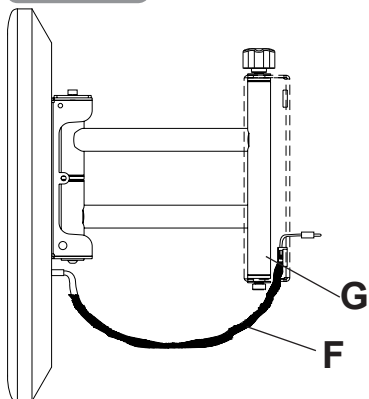
**ENG** Hook M10 x 15mm screws (N) of plate assembly (M) into top two key holes of wall plate (A).



## 7-1



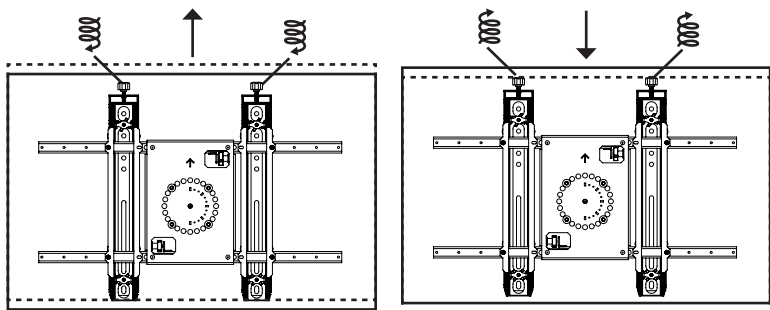
# 8



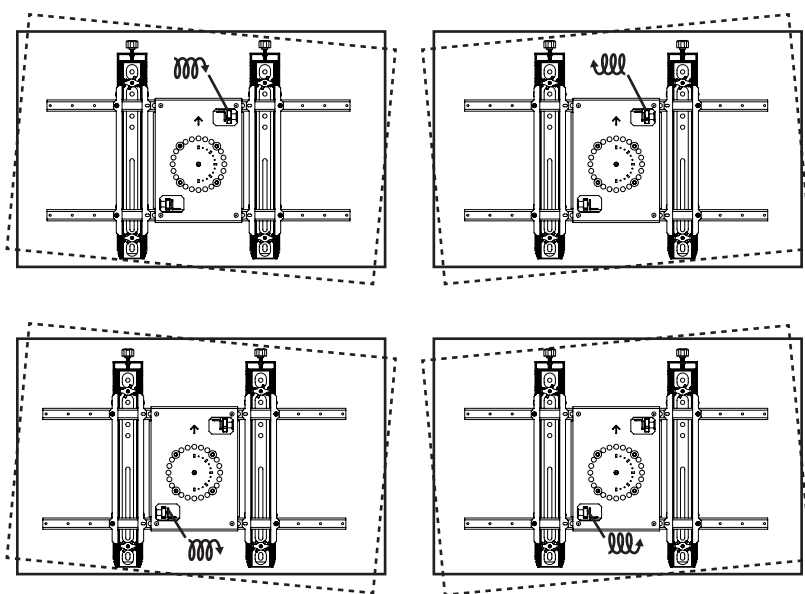
# 9

ENG Display adjustment.

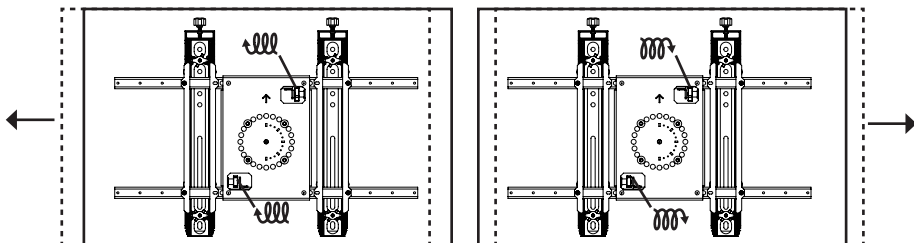
## 9-1



## 9-2




## 9-3



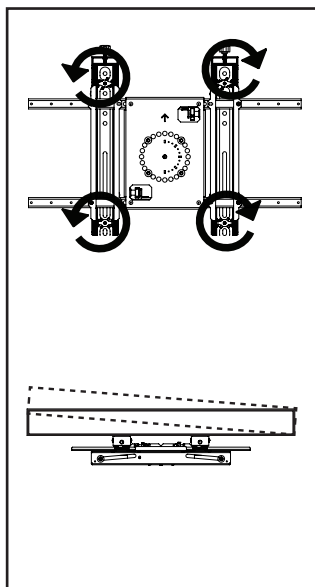
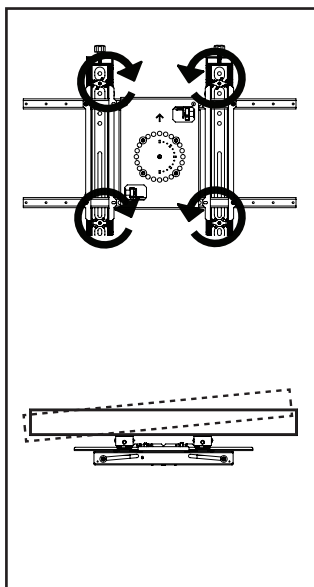
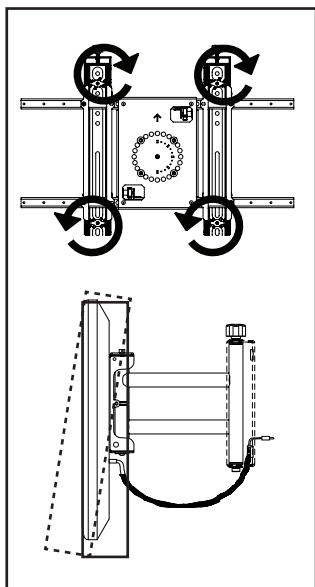
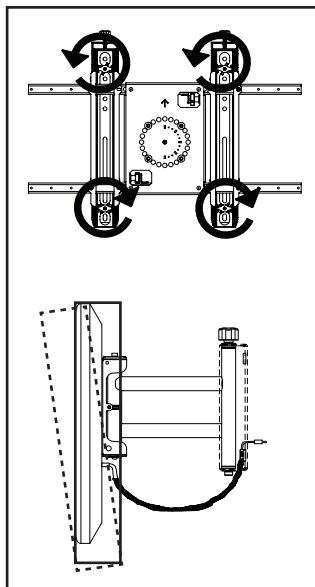
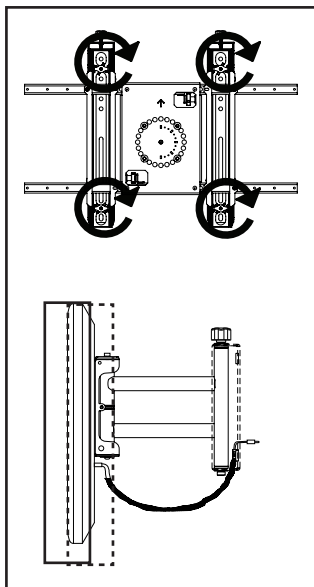
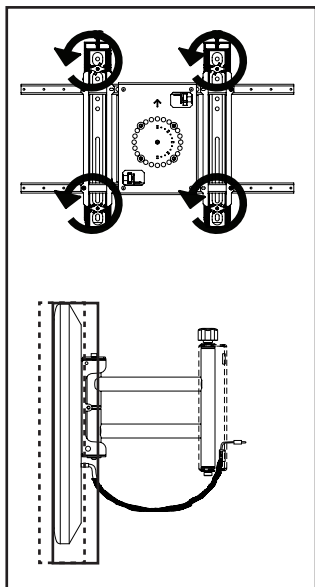


# 10

**ENG** Use legend below to determine position of display. Each knob can be adjusted independently for fine tuning adjustments.

 Turn knob **CLOCKWISE** to move corner toward the wall.

 Turn knob **COUNTER-CLOCKWISE** to move corner away from the wall.

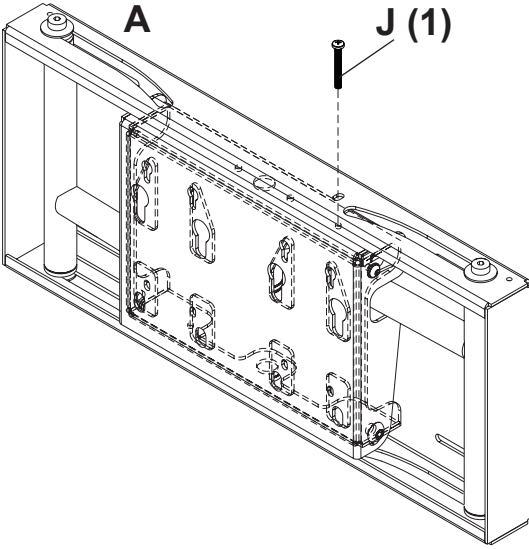


# 11

[ENG] OPTIONAL: Alternative wall plate lock-down positions.

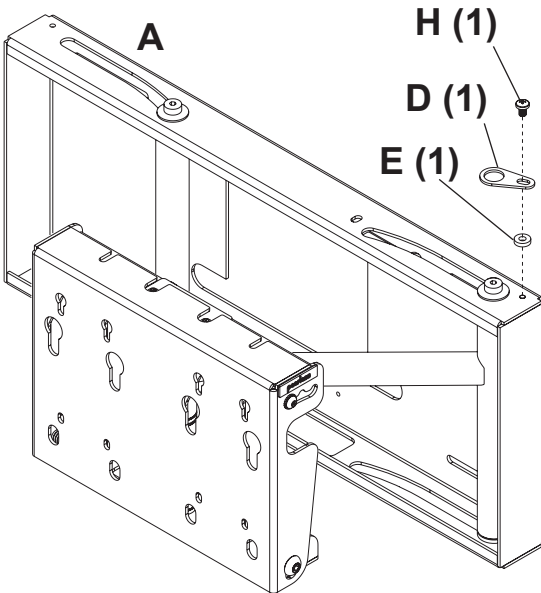
## 11-1

[ENG] Lock-down in retracted position.



## 11-2

[ENG] Lock-down one arm in place.



**ENG** This page intentionally left blank.

## LIMITED FIVE-YEAR WARRANTY

Peerless Industries, Inc. ("Peerless") warrants to original end-users of Peerless® products will be free from defects in material and workmanship, under normal use, for a period of five years from the date of purchase by the original end-user (but in no case longer than six years after the date of the product's manufacture). At its option, Peerless will repair or replace, or refund the purchase price of, any product which fails to conform with this warranty.

**In no event shall the duration of any implied warranty of merchantability or fitness for a particular purpose be longer than the period of the applicable express warranty set forth above.** Some states do not allow limitations on how long a implied warranty lasts, so the above limitation may not apply to you.

This warranty does not cover damage caused by (a) service or repairs by the customer or a person who is not authorized for such service or repairs by Peerless, (b) the failure to utilize proper packing when returning the product, (c) incorrect installation or the failure to follow Peerless' instructions or warnings when installing, using or storing the product, or (d) misuse or accident, in transit or otherwise, including in cases of third party actions and force majeure.

**In no event shall Peerless be liable for incidental or consequential damages or damages arising from the theft of any product, whether or not secured by a security device which may be included with the Peerless® product.** Some states do not allow the exclusion or limitation of incidental or consequential damages, so the above limitation or exclusion may not apply to you.

This warranty is in lieu of all other warranties, expressed or implied, and is the sole remedy with respect to product defects. No dealer, distributor, installer or other person is authorized to modify or extend this Limited Warranty or impose any obligation on Peerless in connection with the sale of any Peerless® product.

This warranty gives specific legal rights, and you may also have other rights which vary from state to state.

Patented. Utility Patent No. 8,517,322

The logo for Peerless-AV features the word "peerless" in a bold, lowercase, red sans-serif font. To its right, the letters "AV" are rendered in a red outline font, with a registered trademark symbol (®) to the upper right of the "V".

**Peerless-AV**  
2300 White Oak Circle  
Aurora, IL 60502  
Email: [tech@peerlessmounts.com](mailto:tech@peerlessmounts.com)  
Ph: (800) 865-2112  
Fax: (800) 359-6500  
[www.peerless-av.com](http://www.peerless-av.com)

© 2014, Peerless Industries, Inc.