

SA761PU	SmartMount® Articulating Wall Arm for 39" to 75" Displays
----------------	---

Product Specifications

	DIMENSIONS (W x H x D)	PRODUCT WEIGHT	LOAD CAPACITY	FINISH	AVAILABLE COLORS
SA761PU	24.50" x 19.87" x 3.10"-26.60" (622 x 505 x 79-676mm)	24.5lb (11.1kg)	125lb (57kg)	Scratch resistant fused epoxy	Semi-gloss black

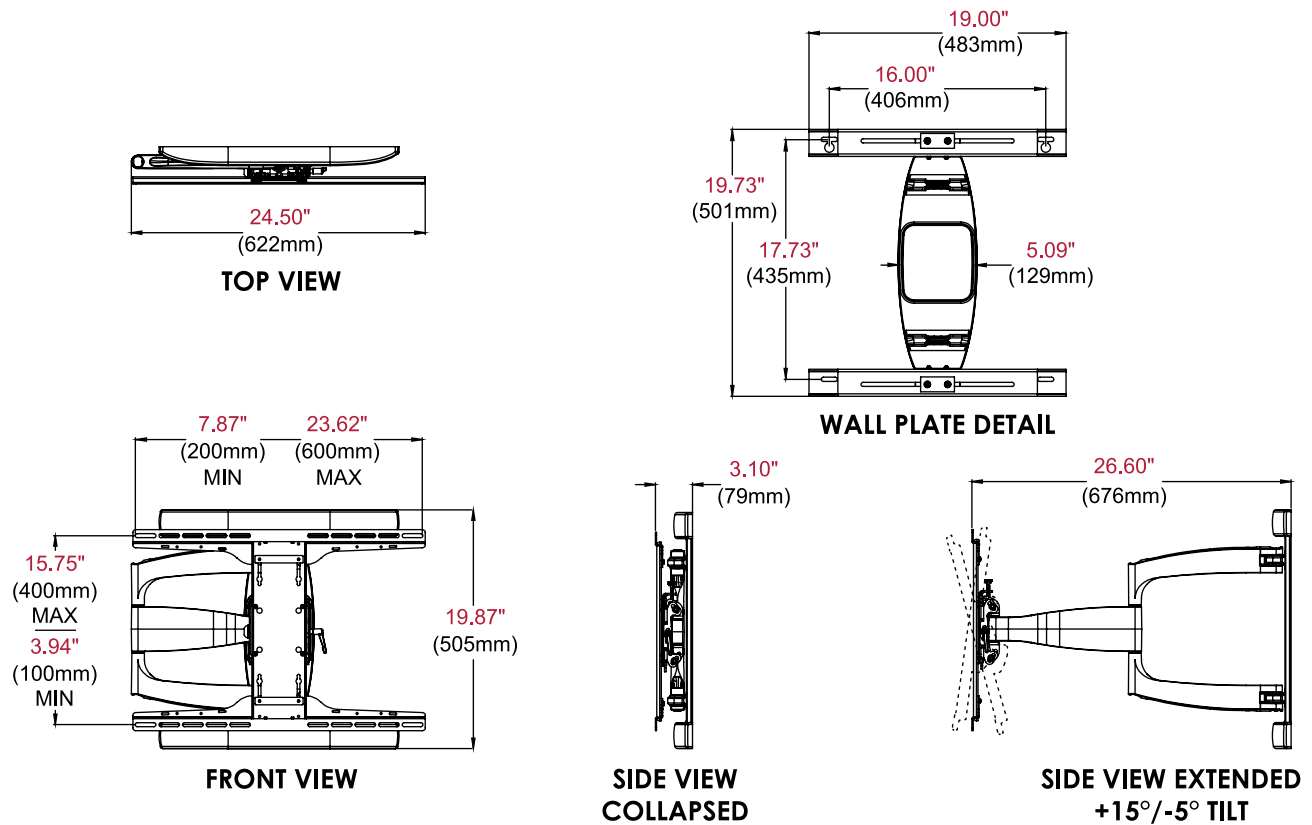
Package Specifications

	PACKAGE SIZE (W x H x D)	PACKAGE SHIP WEIGHT	PACKAGE UPC CODE	PACKAGE CONTENTS	UNITS IN PACKAGE
SA761PU	40.75" x 23.75" x 4.75" (1035 x 603 x 121mm)	33.6lb (15.2kg)	00735029266587	Wall mount, wall and display installation hardware, installation instructions	1

Accessories

- ACCXT400:** Recessed Power Outlet with Low Voltage In-Wall Cable Routing
- IBA4-W:** Easy Mount Recessed Low Voltage Cable Plate
- IBA5-W:** Recessed Low Voltage Media Plate with Duplex Surge Suppressor
- WSP756:** Metal Stud Wall Plate

All dimensions = inch (mm)



Architect Specifications

The Smartmount® Articulating Wall Arm shall be a Peerless-AV model SA761PU and shall be located where indicated on the plans. Assembly and installation shall be done according to instructions provided by the manufacturer.

Visit peerless-av.com to see the complete line of AV solutions from Peerless-AV, including outdoor displays, wireless, kiosks, digital audio, display mounts, projector mounts, carts/stands, and a full assortment of accessories.

Peerless-AV
2300 White Oak Circle
Aurora, IL 60502 USA
(800) 865-2112
(630) 375-5100
Fax: (800) 359-6500

Peerless-AV Europe
Unit 3 Watford Interchange
Colonial Way, Watford
Herts, WD24 4WP
United Kingdom
+44 (0) 1923 200100
Fax: +44 (0) 1923 200101

Peerless-AV de México
Ave de las Industrias 413
Parque Industrial Escobedo
Escobedo, N.L.,
Mexico 66050
+52 (81) 8384-8300
Fax: +52 (81) 8384-8360

