

DS-S555-4X2 SmartMount® Modular Video Wall Pedestal Mount 4x2 Configuration for 46" to 55" Displays

**Product Specifications**

	DIMENSIONS (W x H x D)	PRODUCT WEIGHT	LOAD CAPACITY	FINISH	AVAILABLE COLORS
DS-S555-4X2	171.63" x 75.44" x 13.36" (4359 x 1916 x 339mm)	238lb (108kg)	800lb (363kg) 100lb per display	Powder Coat	Black

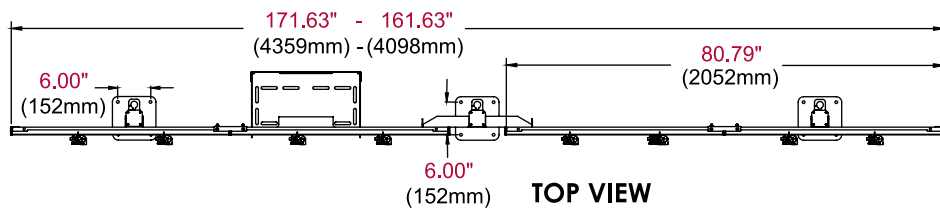
**Package Specifications**

	PACKAGE SIZE (W x H x D)	PACKAGE SHIP WEIGHT	PACKAGE UPC CODE	PACKAGE CONTENTS	UNITS IN PACKAGE
DS-S555-4X2	84.00" x 37.50" x 12.50" (2133 x 952 x 317mm)	263lb (119.5kg)	735029301509	Stand, display adaptors and hardware	1

**Accessories**

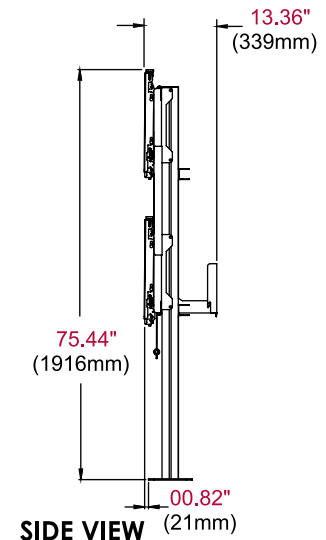
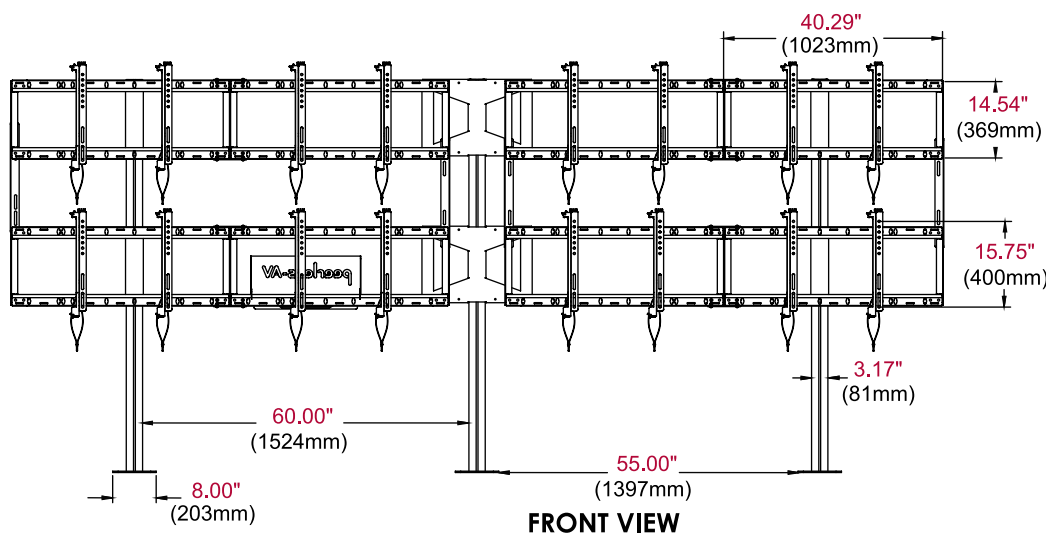
**ACC-V800X:** Adaptor accessory for 600 x 400 and 800 x 400mm mounting patterns

All dimensions = inch (mm)



**COMPATIBILITY FORMULA**

Display height ≤ 36"  
 Display width ≥ 40.5"  
 Three display widths + mount pattern width ≤ 171"



**Architect Specifications**

The Smartmount® Modular Video Wall Pedestal Mount 4x2 Configuration shall be a Peerless-AV model DS-S555-4X2 and shall be located where indicated on the plans. Assembly and installation shall be done according to instructions provided by the manufacturer.

Visit [peerless-av.com](http://peerless-av.com) to see the complete line of AV solutions from Peerless-AV, including outdoor displays, wireless, kiosks, digital audio, display mounts, projector mounts, carts/stands, and a full assortment of accessories.

**Peerless-AV**  
 2300 White Oak Circle  
 Aurora, IL 60502 USA  
**(800) 865-2112**  
**(630) 375-5100**  
**Fax: (800) 359-6500**

**Peerless-AV Europe**  
 Unit 3 Watford Interchange  
 Colonial Way, Watford  
 Herts, WD24 4WP  
 United Kingdom  
**+44 (0) 1923 200100**  
**Fax: +44 (0) 1923 200101**

**Peerless-AV de México**  
 Ave de las Industrias 413  
 Parque Industrial Escobedo  
 Escobedo, N.L.,  
 Mexico 66050  
**+52 (81) 8384-8300**  
**Fax: +52 (81) 8384-8360**

