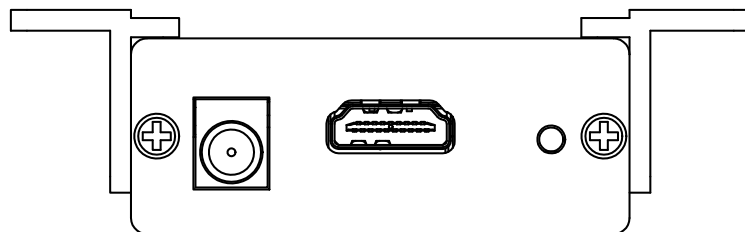
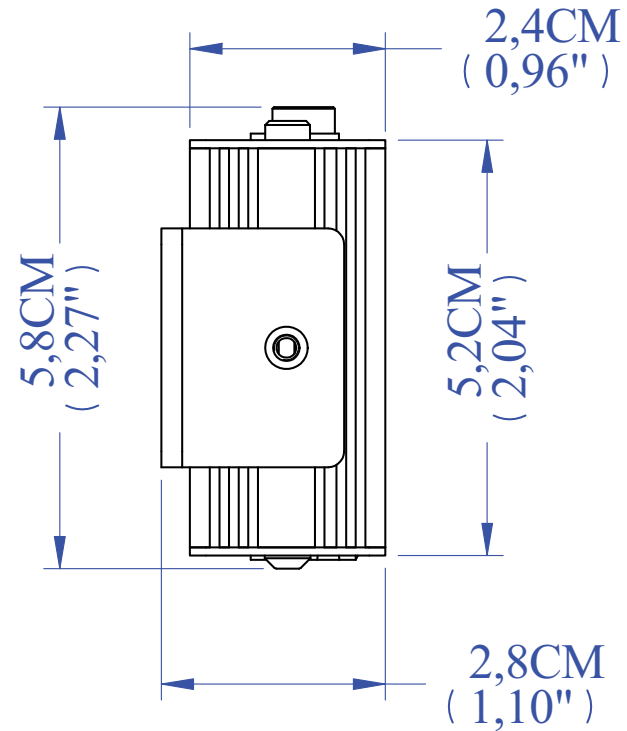
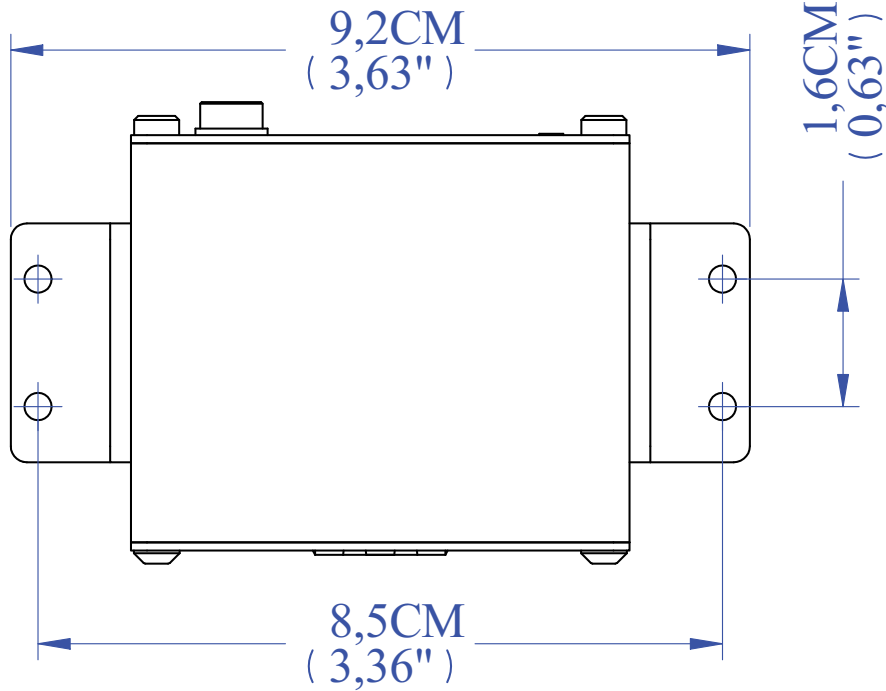
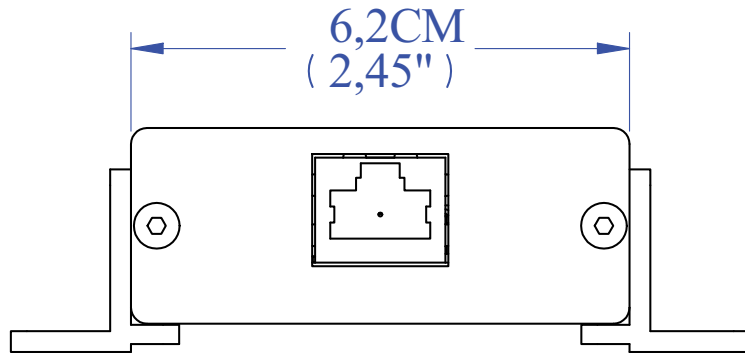



REV	DESCRIPTION	ECO NO.	DATE	APPROVED
1	PRELIMINARY		DD . MM . YY	

PT-571



	NAME	DATE	 KRAMER ELECTRONICS LTD. JERUSALEM, ISRAEL
DRAWN	ihassidim	20/Sep/10	
CHECKED			
ENG APPR			
MGR APPR			
PART: PT-571-OUTLINE			
UNLESS OTHERWISE SPECIFIED DIMENSIONS ARE IN MILLIMETERS ANGLES ±0.5° LINEAR ±0.2 HOLES +0.2		SIZE A3 KRAMER P.N.: PT-571-OUTLINE REV B	File name: PT-571-EXT-OUTLINE.dft Project: PT-571 Sheet 1 of 1