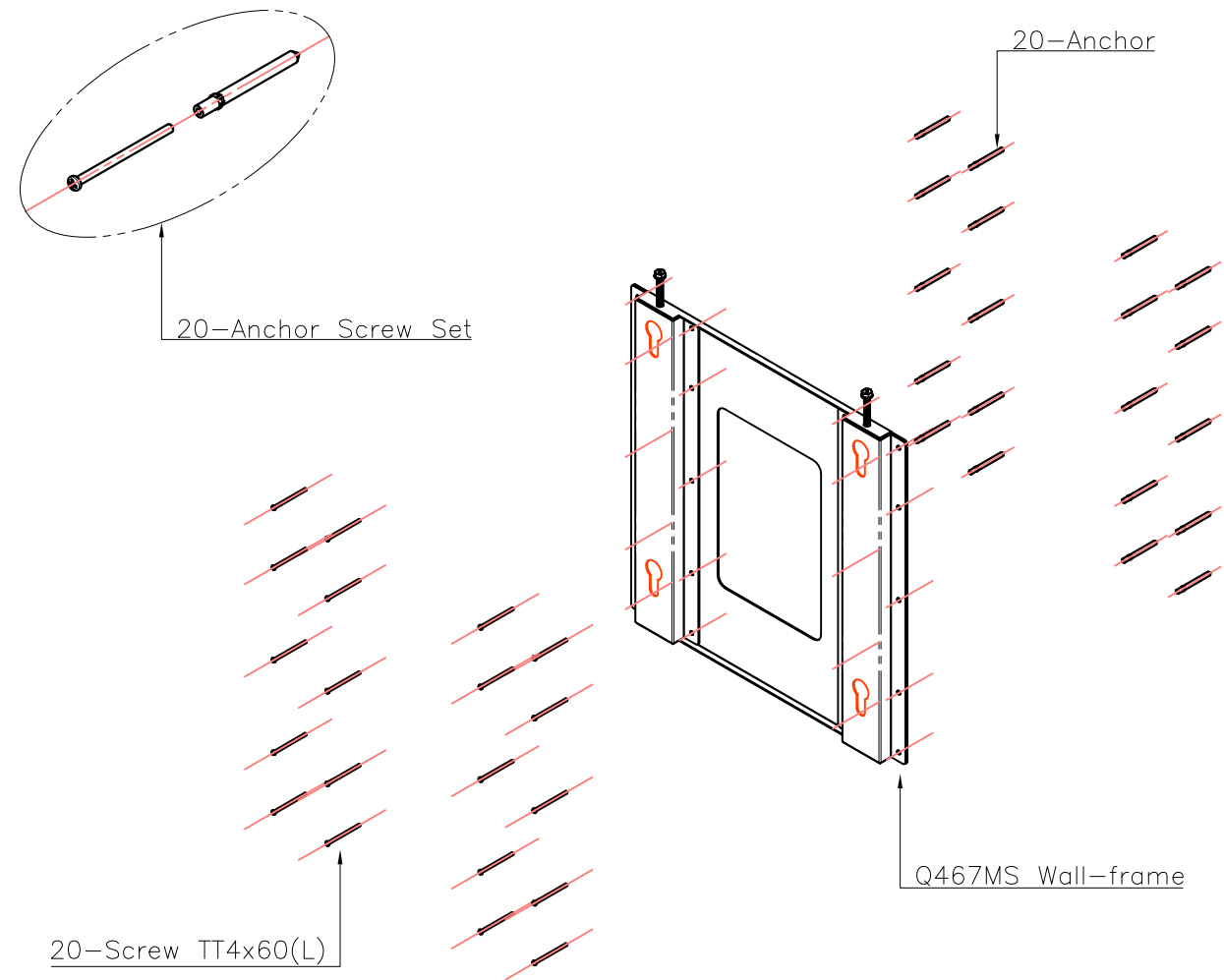
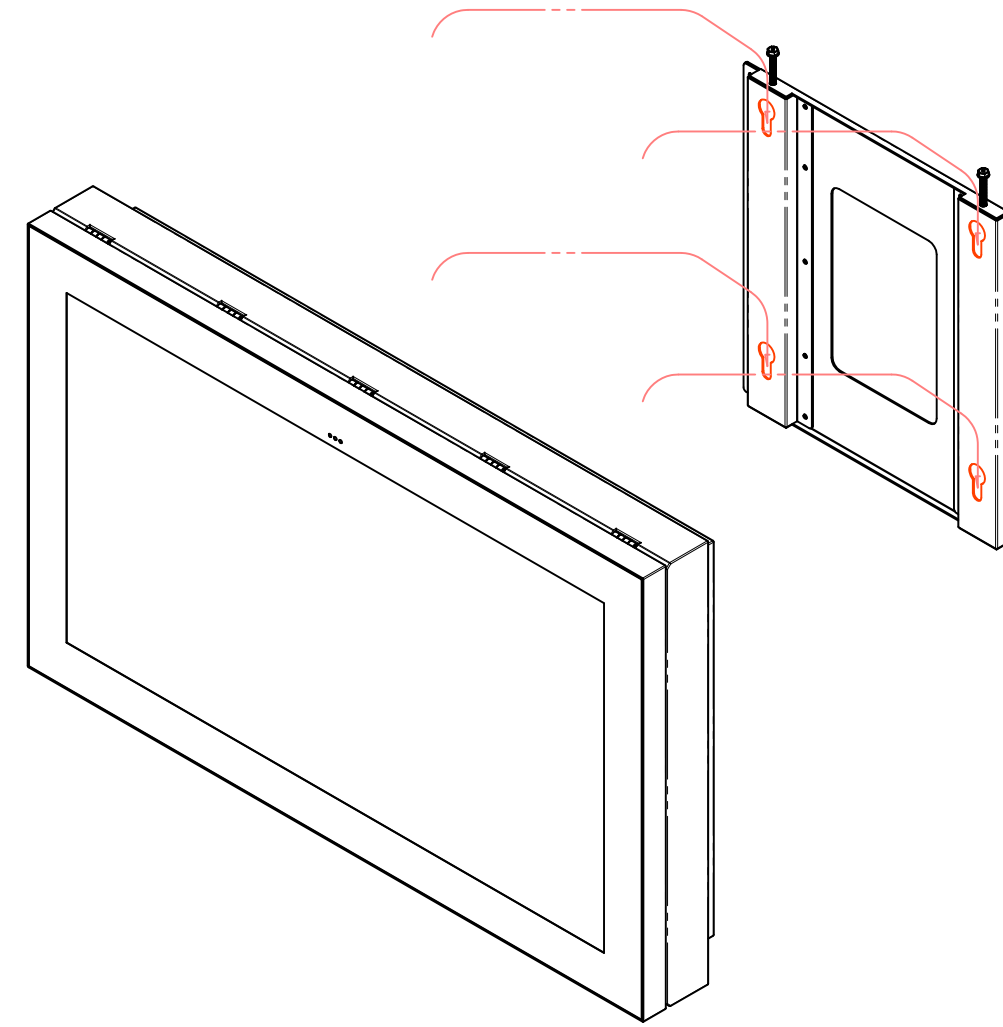


Q467MS, Install Guide (Landscape)

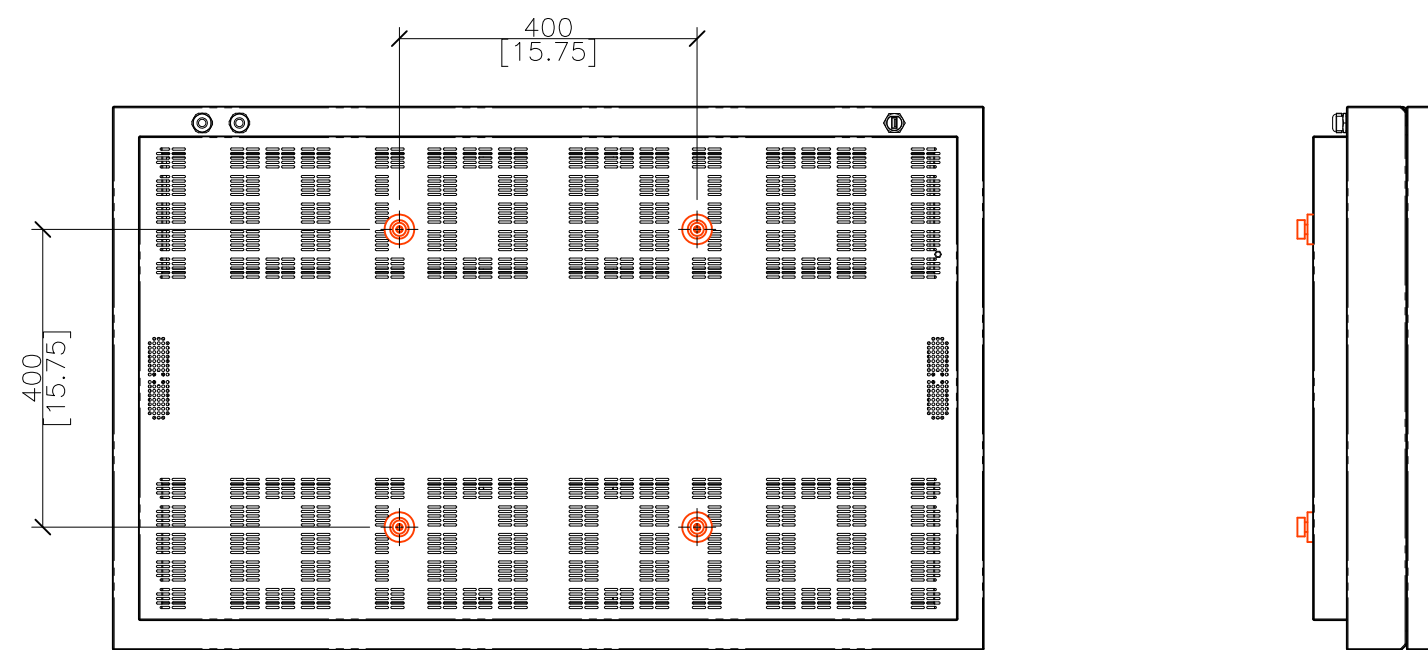


Step-1, fixed wall-frame



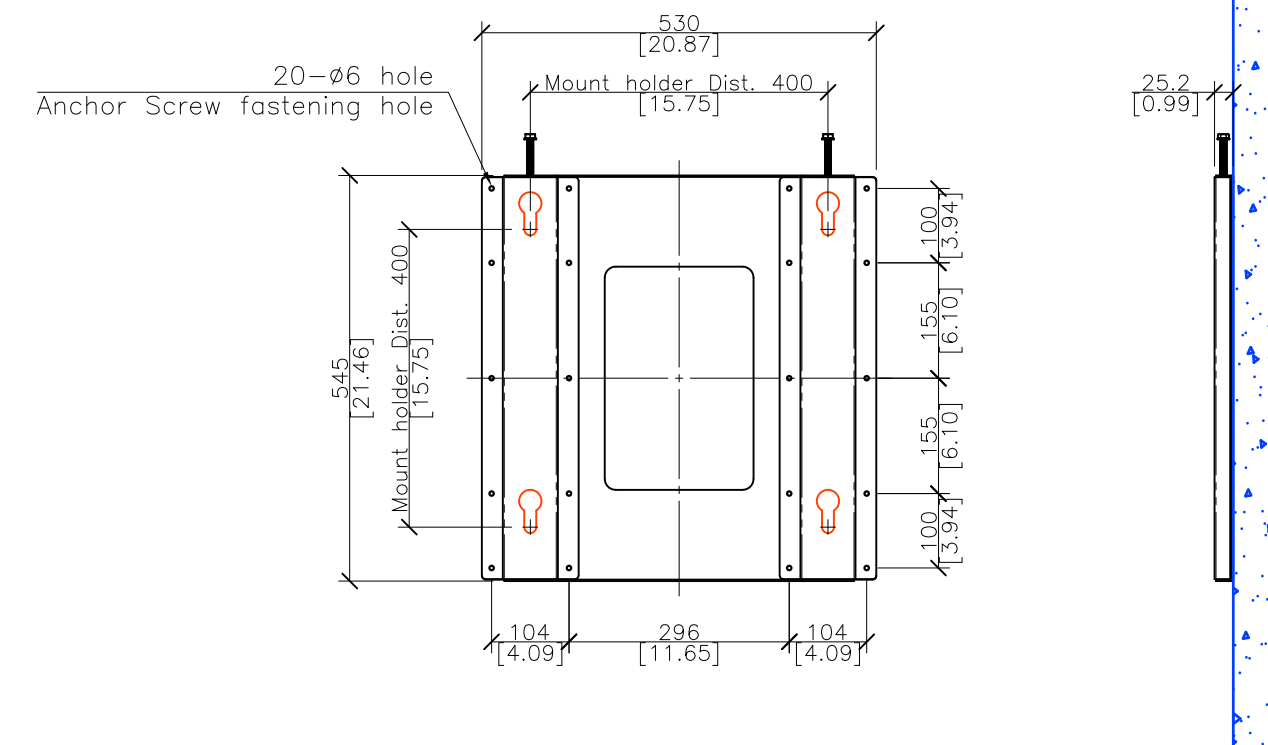
Step-2, Q467MS install

Mount-holder Location



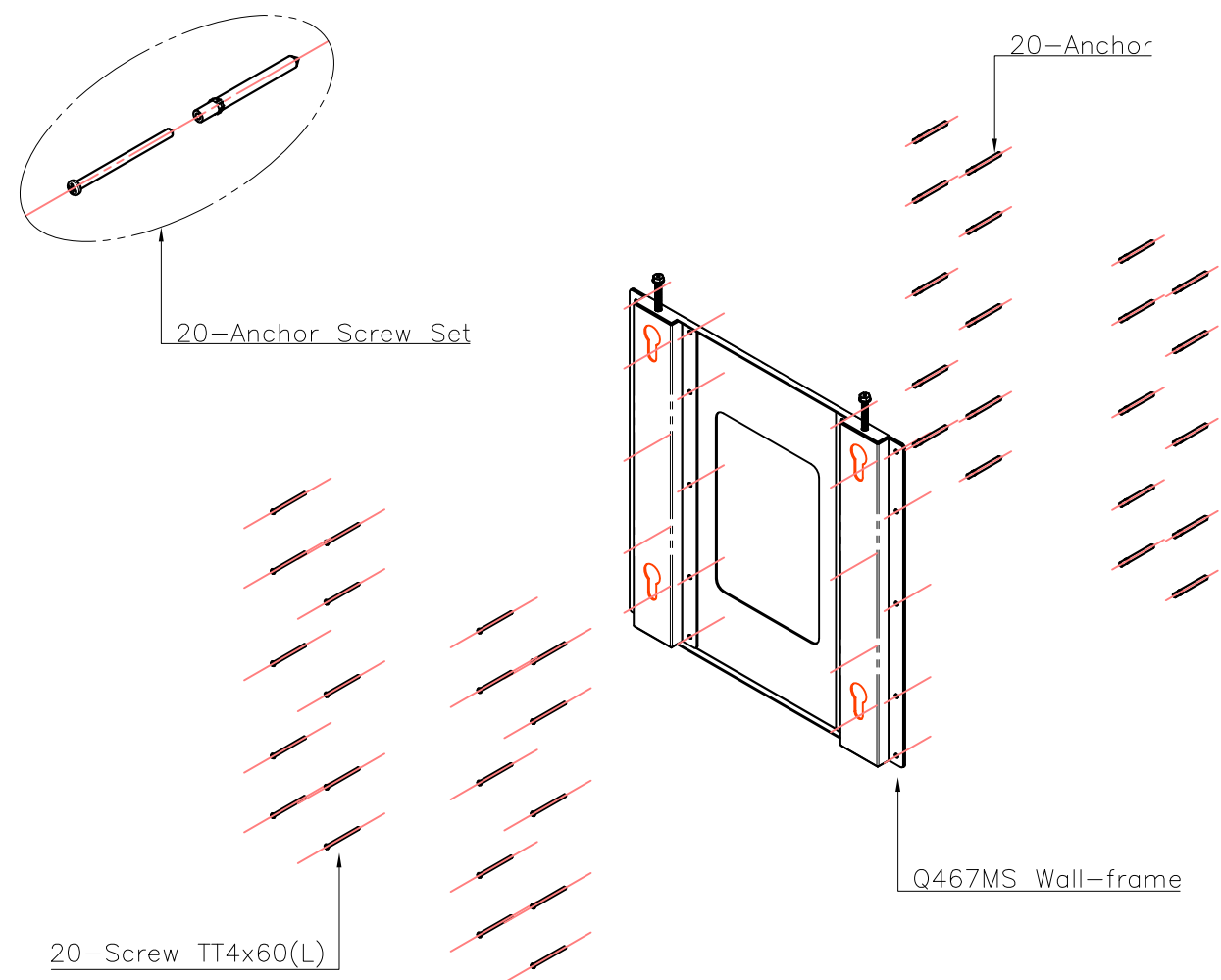
Caution) Screw points for mount-holder
(The points are different based on landscape and portrait installation)

Mount-holder Install Location

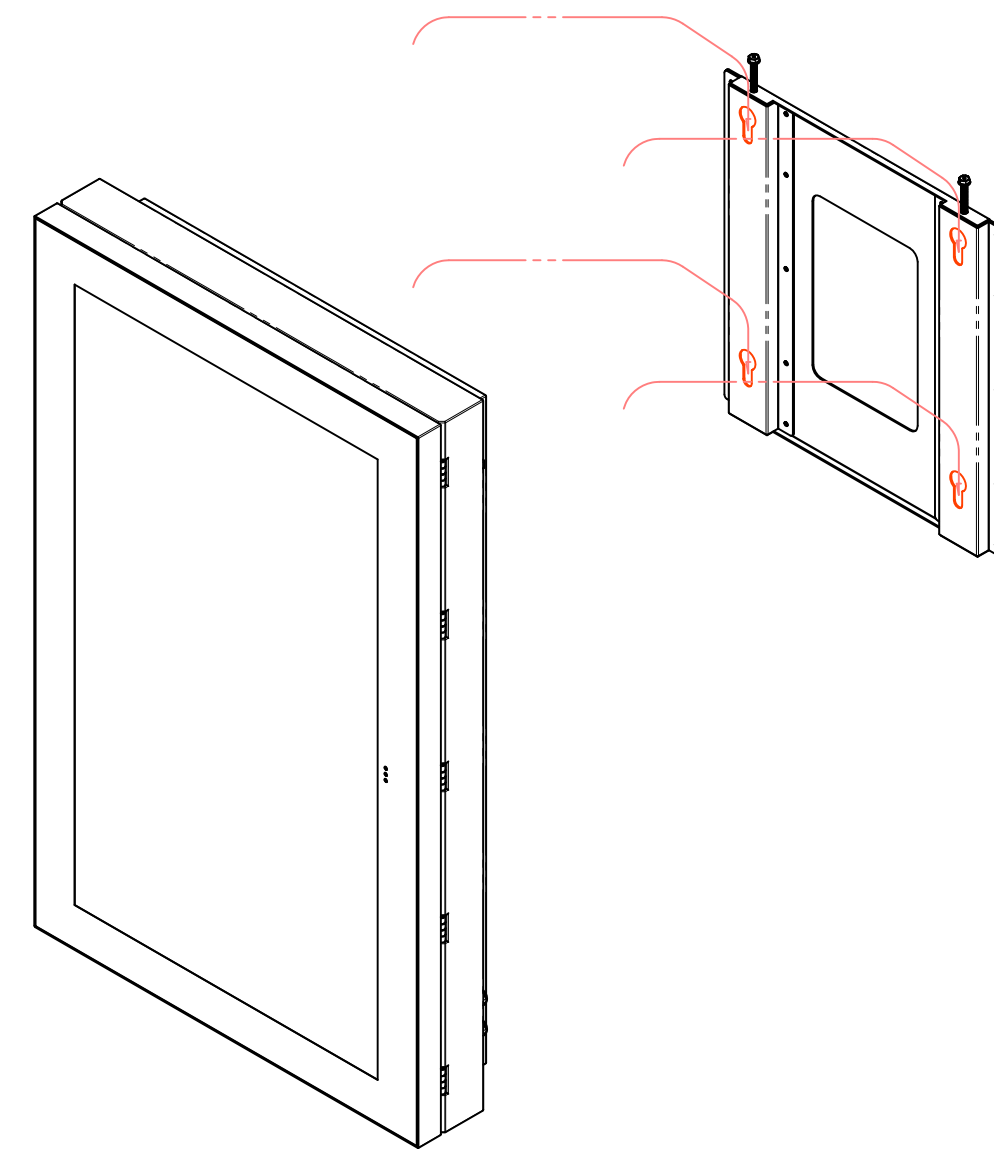


Caution) fixed position of the mount-holder

Q467MS, Install Guide (Portrait)

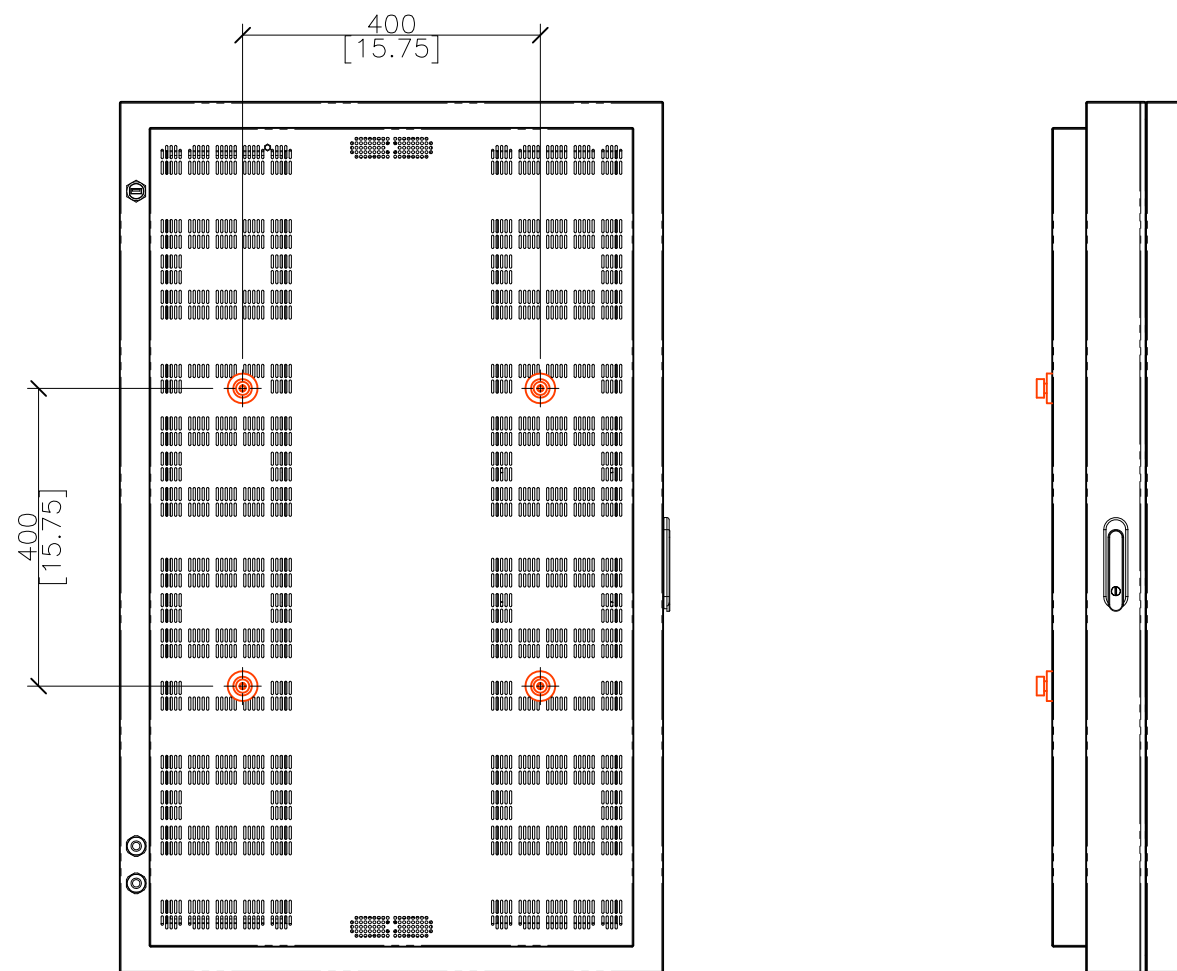


Step-1, fixed wall-frame



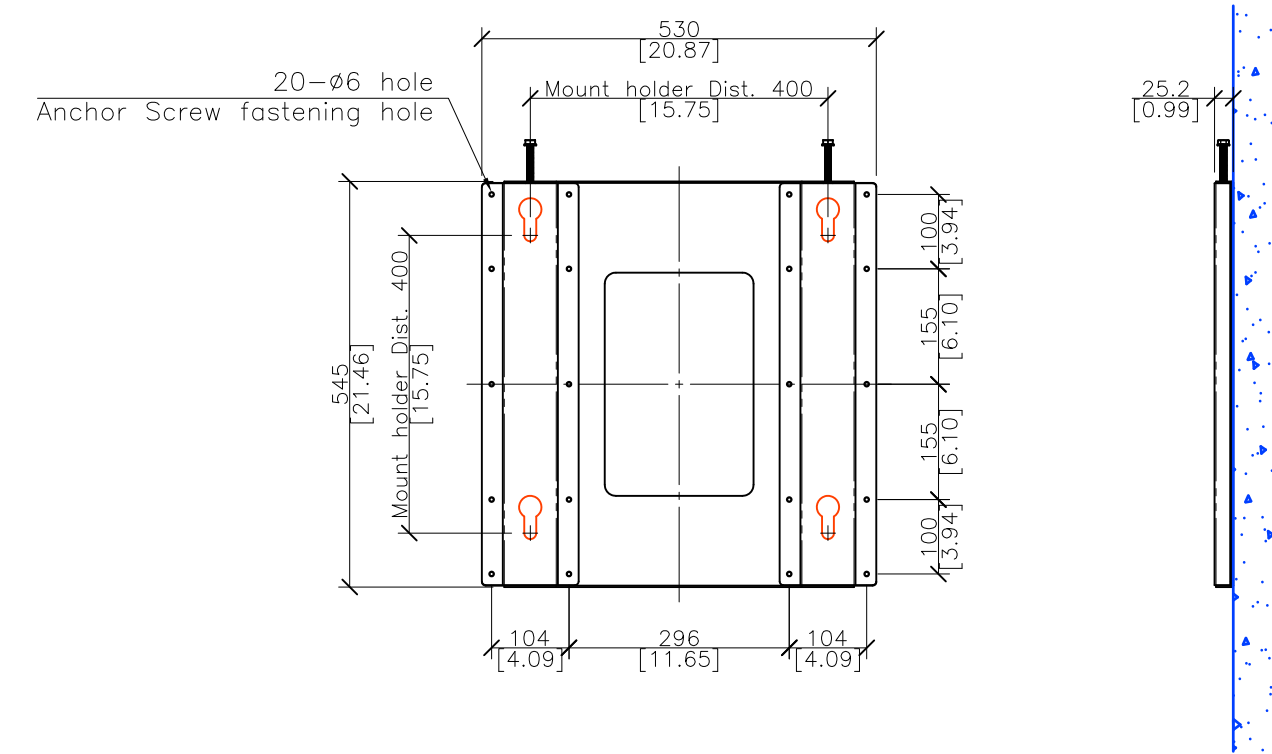
Step-2, Q467MS install

Mount-holder Location



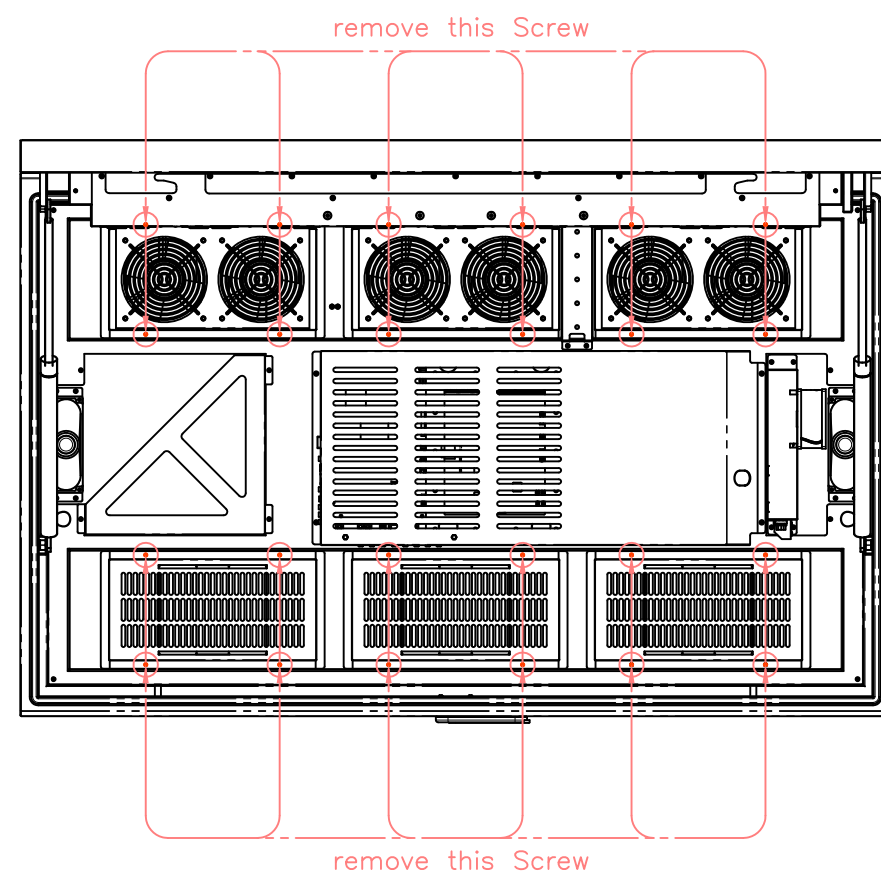
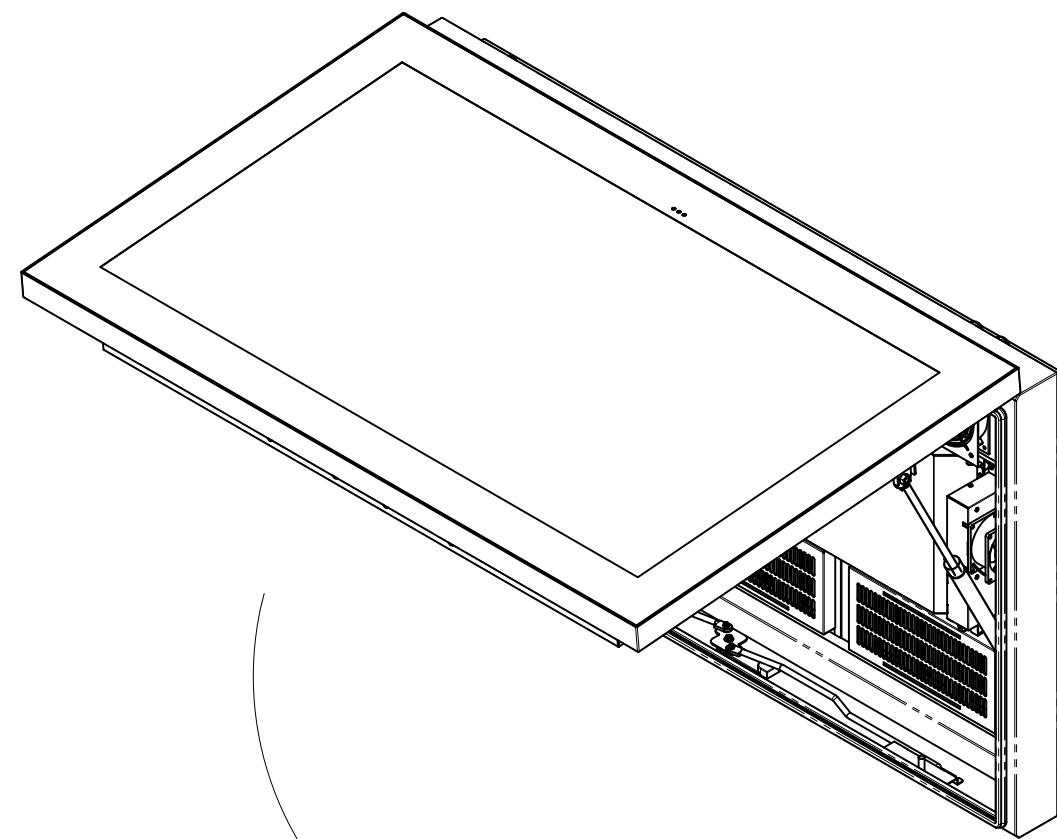
Caution) Screw points for mount-holder
(The points are different based on landscape and portrait installation)

Mount-holder Install Location



Caution) fixed position of the mount-holder

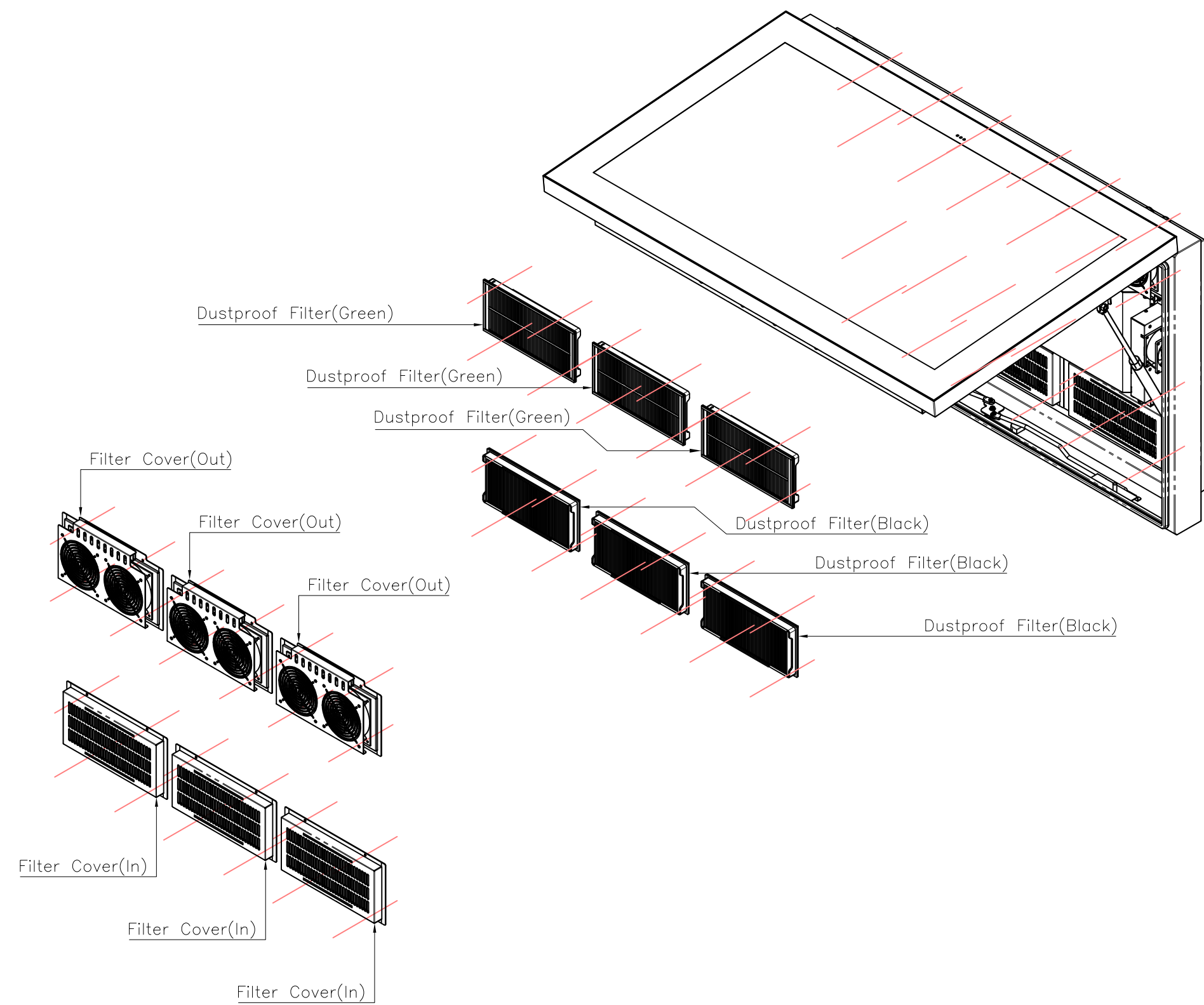
Front Door Open & Remove Screw



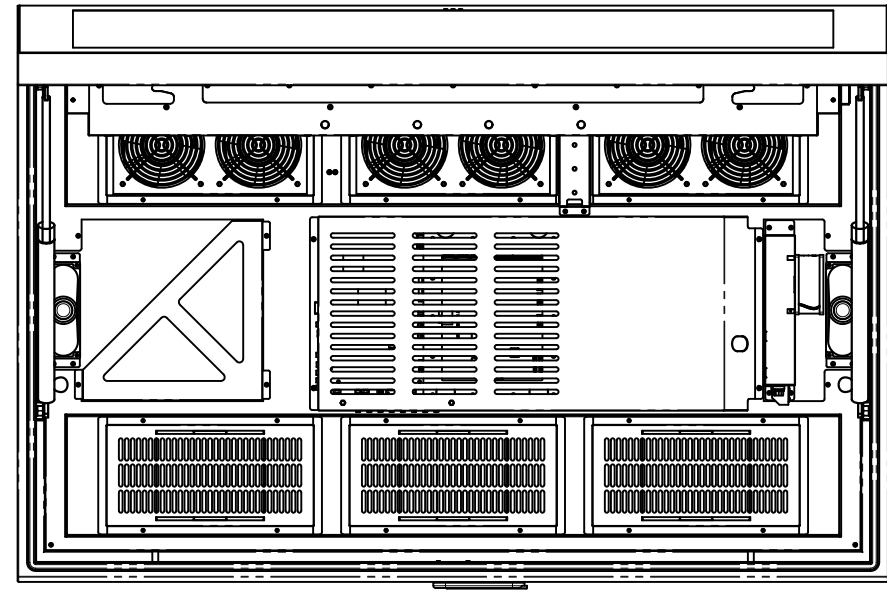
Front View (Door open)

Dustproof Filter Exchange (Exploded view)

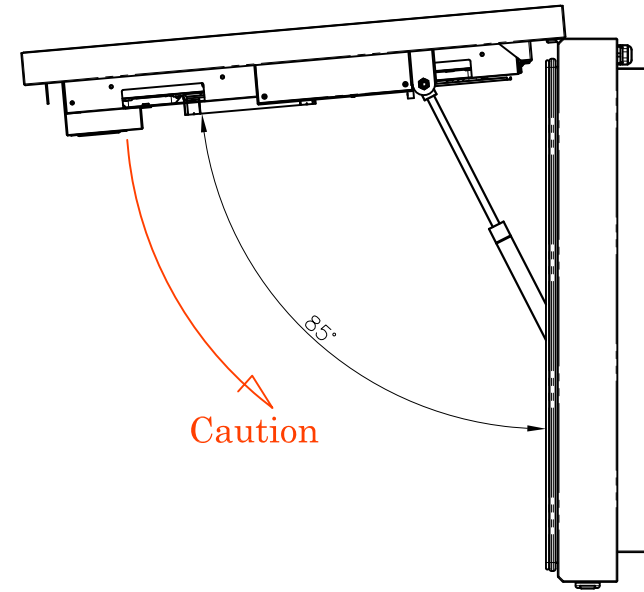
1. For your safety, please turn off the power before replacing the filter.
 2. To prevent the influx of foreign substances, ensure to keep the surrounding areas clean.
 3. Both the front and rear of filter could be different depending on inserting direction.
Please refer to the figure below, and proceed the replacement with careful attention to the color of filter frame and direction.
- * The recommended Dustproof Filter replacement cycle is every eight months, and the replacement cycle may vary at the installation environment.



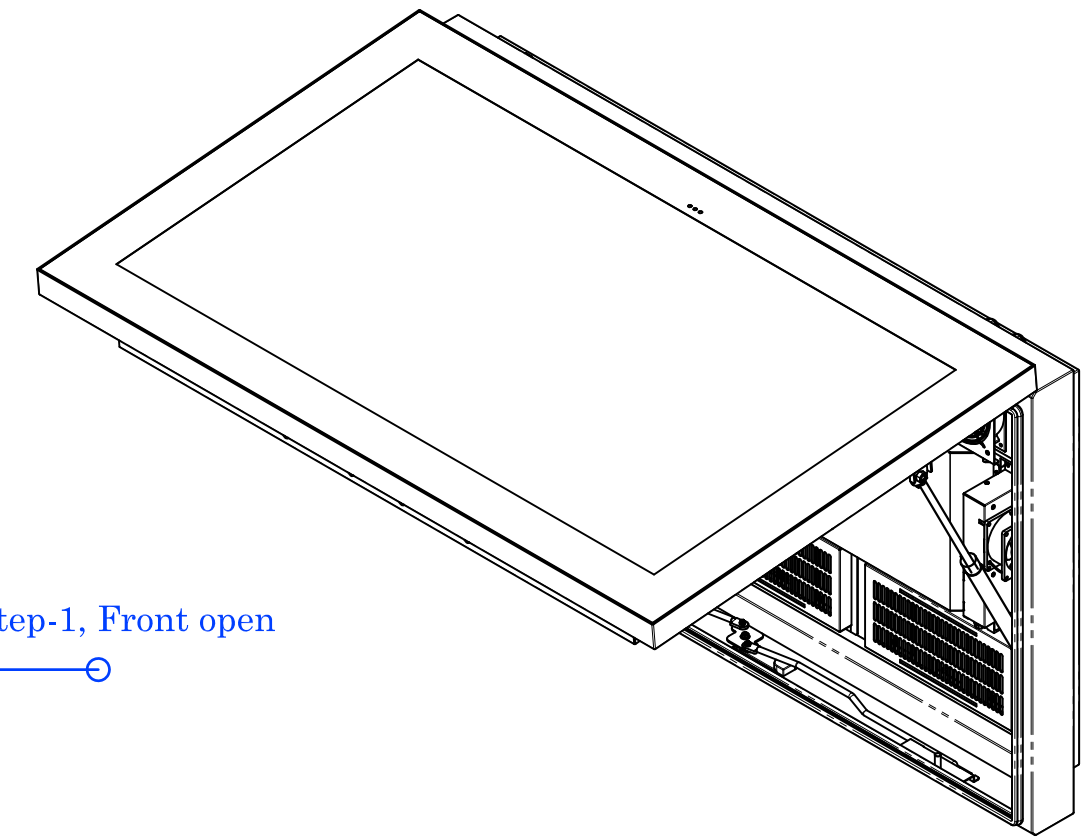
Q467MS, LCD Panel Exchange & Board Repair



Front view

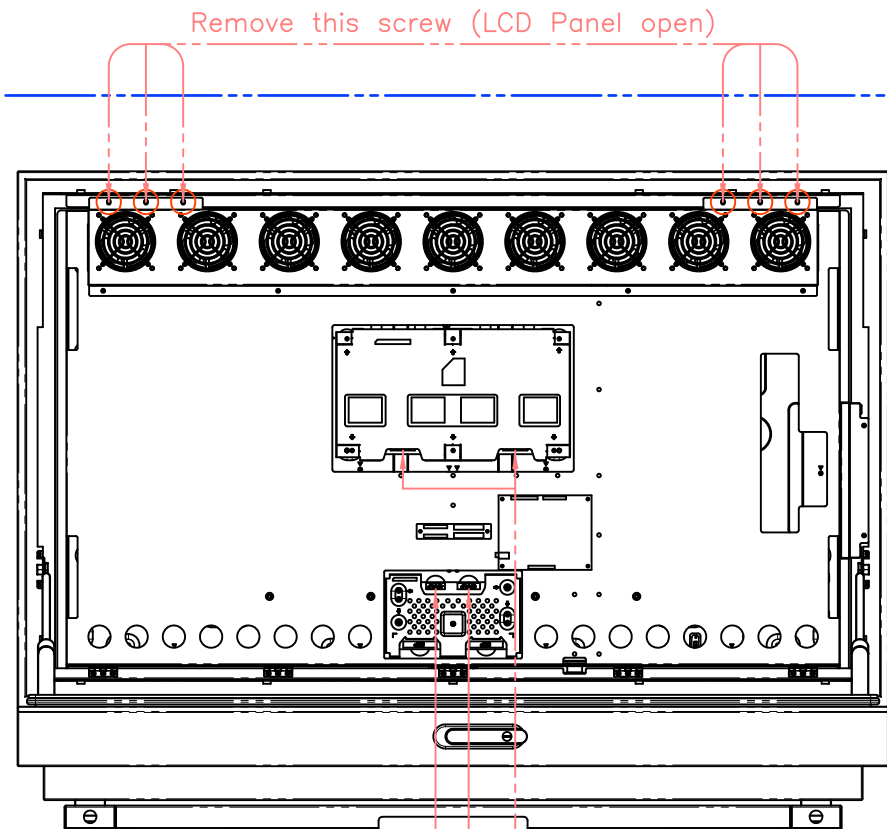


Side view (Right)



Step-1, Front open

Step-3
 Caution) LCD Panel is released when you loose the screws.
 Handle very carefully to prevent damage on the LCD Panel.



Remove this screw (LCD Panel open)

Inverter Cable Disconnect
 LVDS Cable Disconnect

Step-2

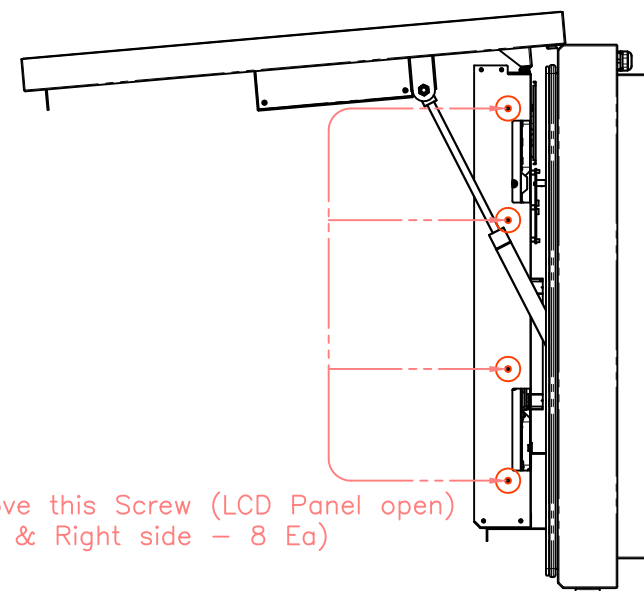
Bottom view

Step-2, Cable disconnection.

Step-3, Loose screw
 (LCD Panel Ass'y)

Step-4, Loose screw
 (LCD Panel)

Step-5, LCD Panel separation



remove this Screw (LCD Panel open)
 (Left & Right side - 8 Ea)

Side view (Right)

Caution, Should be taken because it has not been fixed LCD Panel

