

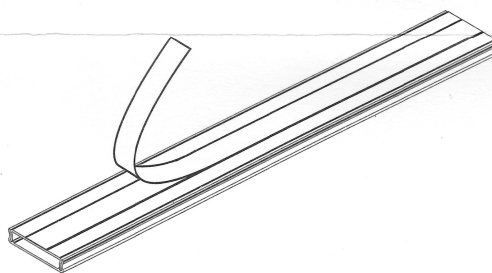
NeatLinks™ Slim



INSTALLATION INSTRUCTIONS

STEP 1

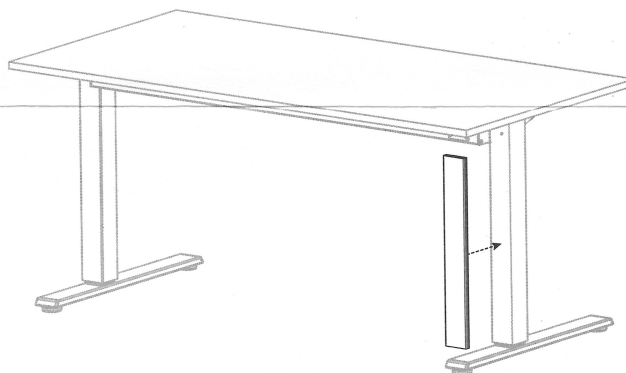
Peel back cover strip off of adhesive tape.



STEP 2

Place NeatLinks Slim onto the back surface of the Float leg.

IMPORTANT – Please make sure your NeatLinks Slim is positioned correctly before securing it to the Float leg. The adhesive is very strong. Once placed into position, NeatLinks Slim is difficult to re-position.



STEP 3

Remove cover to place cables inside. Snap cover back into place when complete.

