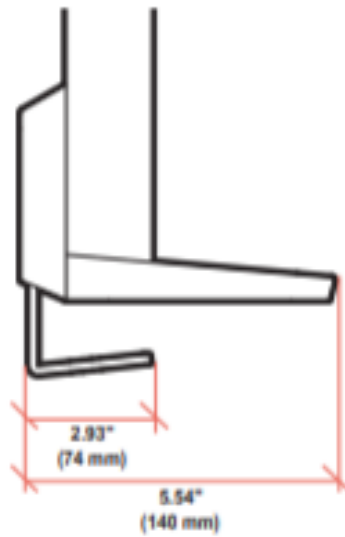
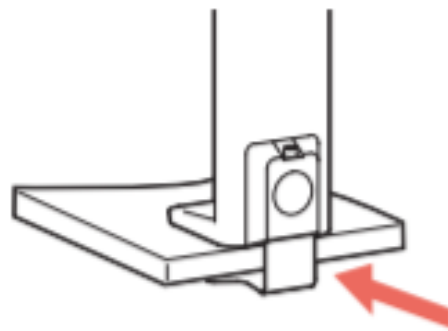


Freestanding Clamp



Desk Thickness

0.47" - 1.42" (12 - 36 mm)

