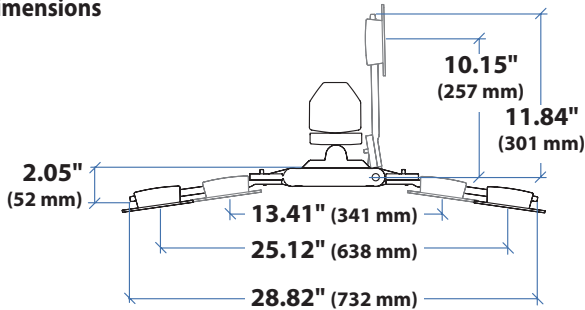
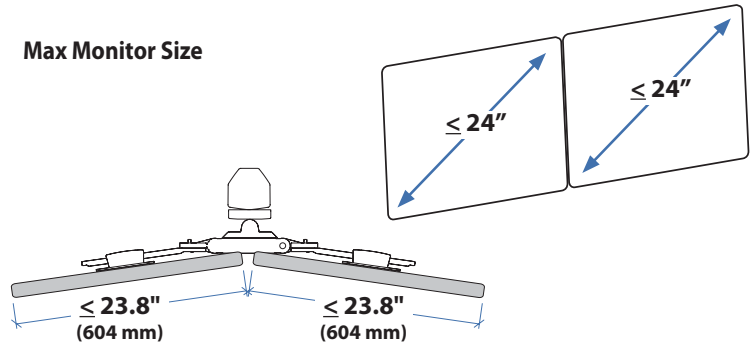


## StyleView® Dual Monitor Mount Kit

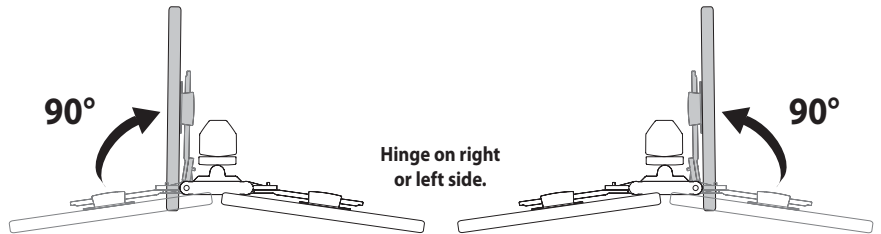
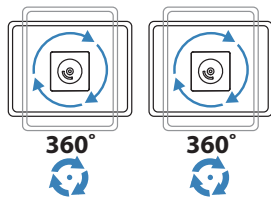
### Dimensions



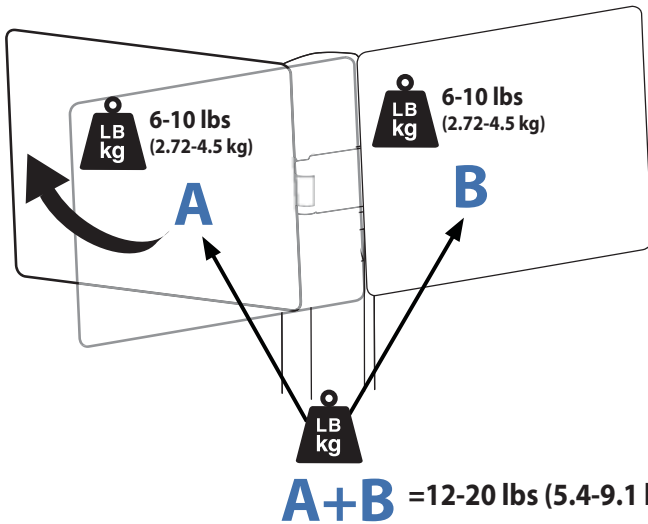
### Max Monitor Size



### Range of Motion



### Weight Capacity



\*Total Weight Capacity when mounted to the SV32 Carts with LiFe Power System is:

**A+B = 12-18 lbs (5.4-8.2 kg)**

#### SV31/SV32 Carts:

If the combined LCD and CPU weight is greater than 23 lbs (10.4 kg) then the CPU must be mounted to the rear of the cart using the Universal CPU Holder accessory (ordered separately).

#### SV41/SV42 Carts:

If the combined LCD and CPU weight is greater than 27 lbs (12.2 kg) then the CPU must be mounted to the rear of the cart using the Universal CPU Holder accessory (ordered separately).

#### SV42 Carts with LiFe Power System:

StyleView Dual Monitor Mount Kit is not recommended for use with the SV42 Carts with LiFe Power System

#### Americas Sales and Corporate Headquarters

St. Paul, MN USA  
(800) 888-8458  
+1-651-681-7600  
www.ergotron.com  
sales@ergotron.com

#### EMEA Sales

Amersfoort, The Netherlands  
+31 33 45 45 600  
www.ergotron.com  
info.eu@ergotron.com

#### APAC Sales

Tokyo, Japan  
www.ergotron.com  
apaccustomerservice@ergotron.com

#### Worldwide OEM Sales

www.ergotron.com  
info.oem@ergotron.com

