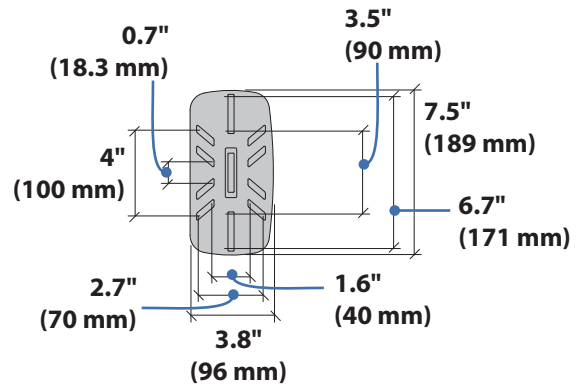
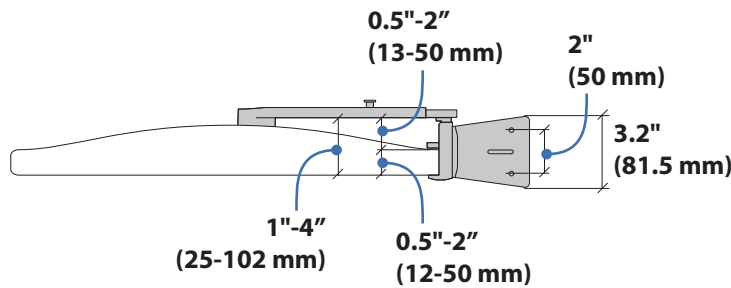
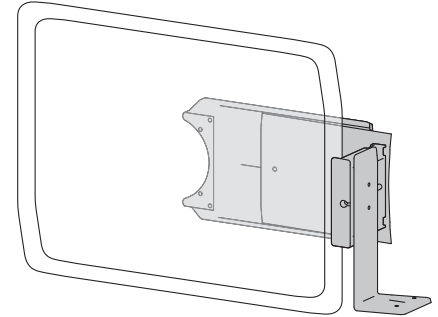
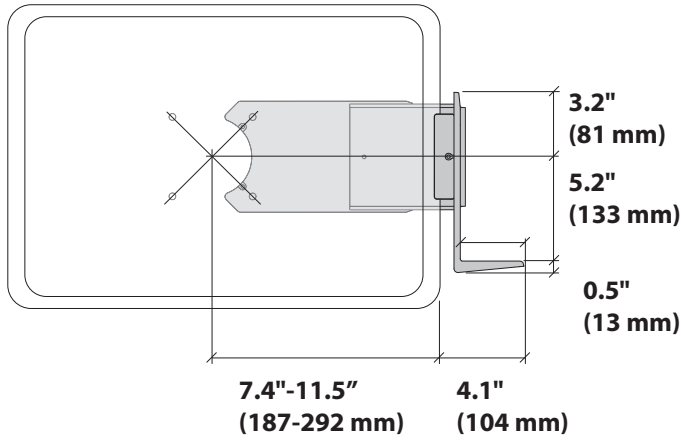


# VESA Scanner Bracket



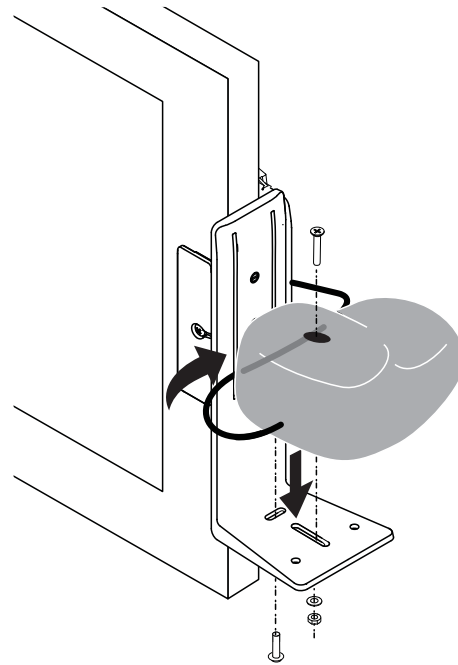
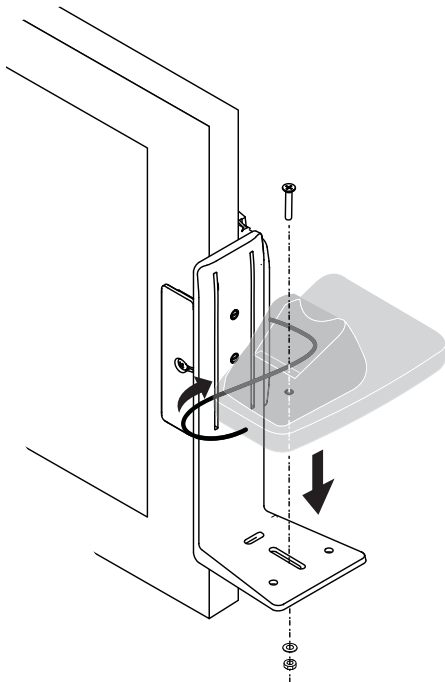
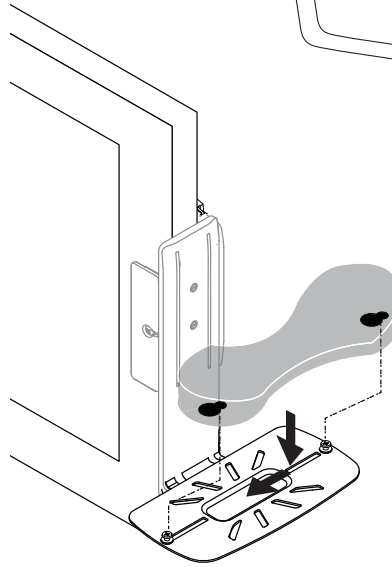
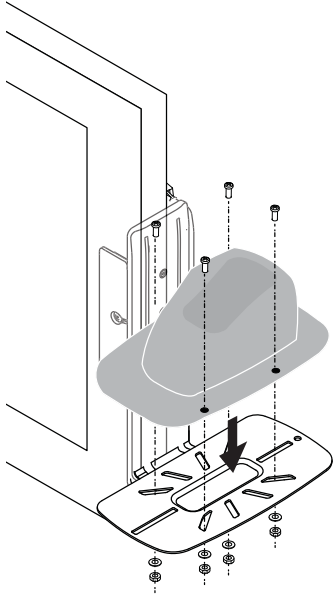
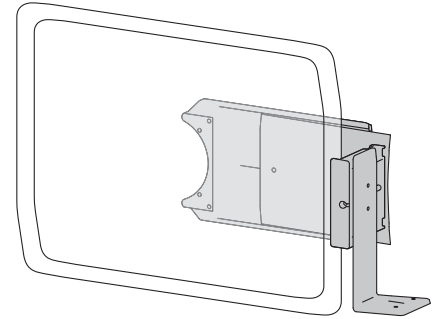
$2.2 \text{ lbs (1 kg)}$

Make sure you know the max. weight capacity of your mounting solution before attaching the scanner shelf. Include the weight of your monitor, scanner shelf, scanner base and scanner: xxx lbs (xxx kg) when figuring mounted weight on your mounting solution.

© 2013 Ergotron, Inc. rev. 08/26/2019 DIM-ScannerVESA Content is subject to change without notification

Americas Sales and Corporate Headquarter	EMEA Sales	APAC Sales	Worldwide OEM Sales
St. Paul, MN USA (800) 888-8458 +1-651-681-7600 www.ergotron.com sales@ergotron.com	Amersfoort, The Netherlands +31 33 45 45 600 www.ergotron.com info.eu@ergotron.com	Tokyo, Japan www.ergotron.com apaccustomerservice@ergotron.com	www.ergotron.com info.oem@ergotron.com

#### Scanner Base Attachment Options:



© 2013 Ergotron, Inc. rev. 08/26/2019 DIM-ScannerVESA Content is subject to change without notification

**Americas Sales and  
Corporate Headquarter**

**EMEA Sales**

**APAC Sales**

**Worldwide OEM Sales**

St. Paul, MN USA  
(800) 888-8458  
+1-651-681-7600  
www.ergotron.com  
sales@ergotron.com

Amersfoort, The Netherlands  
+31 33 45 45 600  
www.ergotron.com  
info.eu@ergotron.com

Tokyo, Japan  
www.ergotron.com  
apaccustomerservice@ergotron.com

www.ergotron.com  
info.oem@ergotron.com