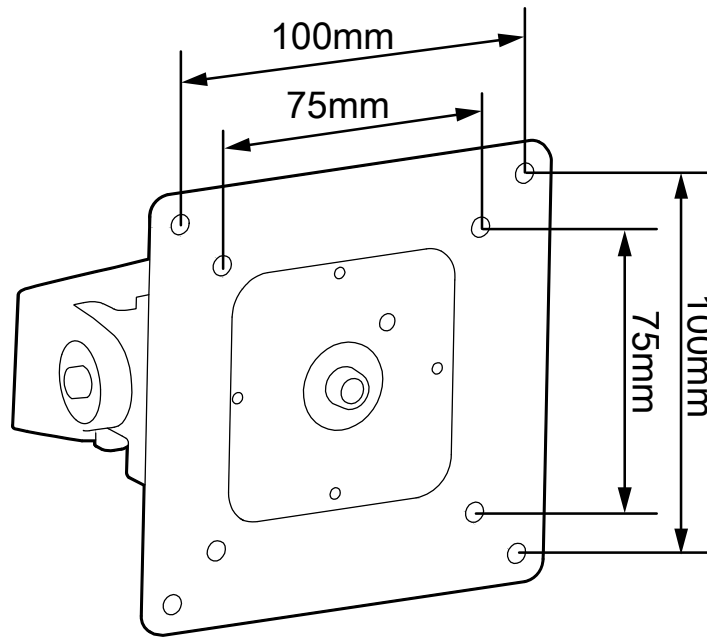


HX Heavy-Duty Tilt Pivot



WEIGHT CAPACITY

28 - 42 lbs. (12.7 - 19 kg)

For displays 6"-12" (152-305mm) deep.

Recommend >1"(25mm) thick worksurface for **minimum vibration**.

RANGE OF MOTION

