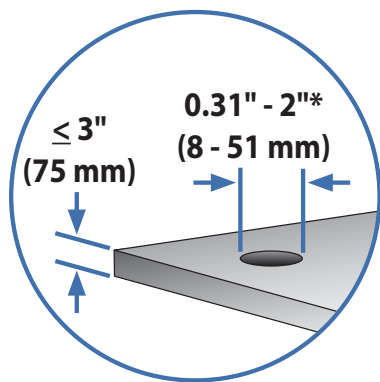
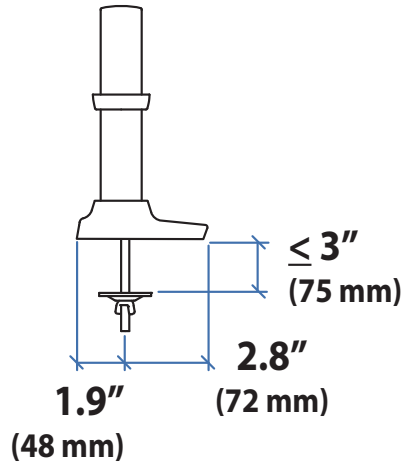


# Ergotron® LX

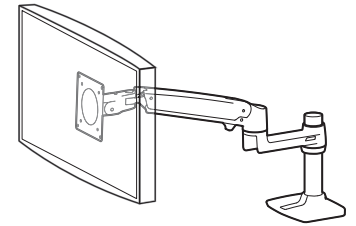
## Grommet Mount

Dimensional &  
Range of Motion  
Illustrations

### Dimensions



**\*Bolt must be centered in hole.**



© 2016 Ergotron, Inc. rev. 05/12/2016 DIM-GrommetLX Content is subject to change without notification

**Americas Sales and  
Corporate Headquarters**

St. Paul, MN USA  
(800) 888-8458  
+1-651-681-7600  
www.ergotron.com  
sales@ergotron.com

**EMEA Sales**

Amersfoort, The Netherlands  
+31 33 45 45 600  
www.ergotron.com  
info.eu@ergotron.com

**APAC Sale**

Tokyo, Japan  
www.ergotron.com  
apaccustomerservice@ergotron.com

**Worldwide OEM Sales**

www.ergotron.com  
info.oem@ergotron.com

