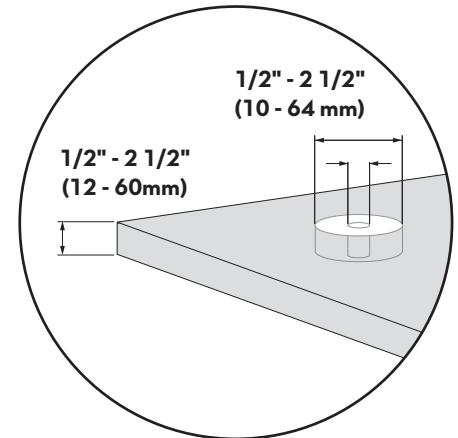
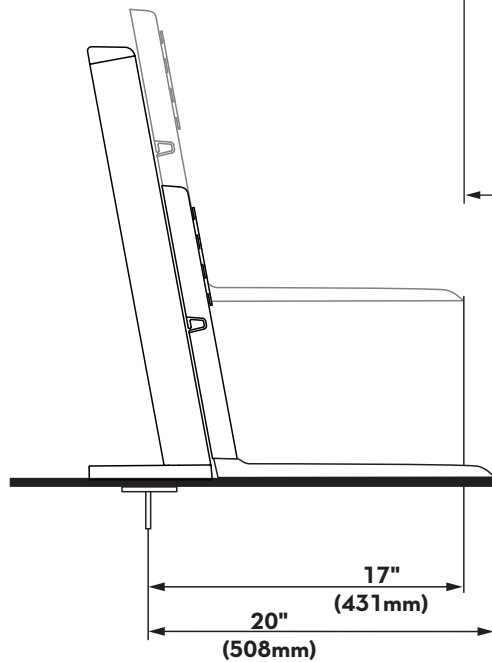
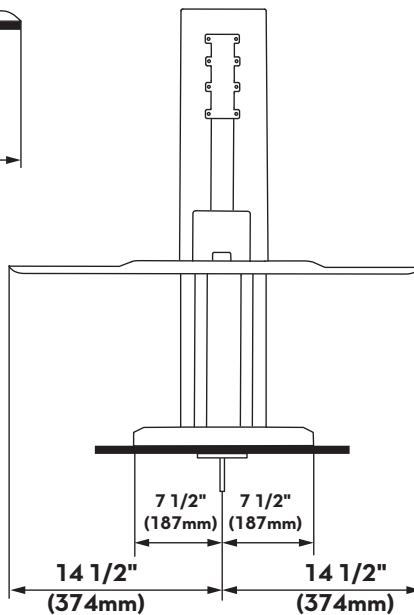
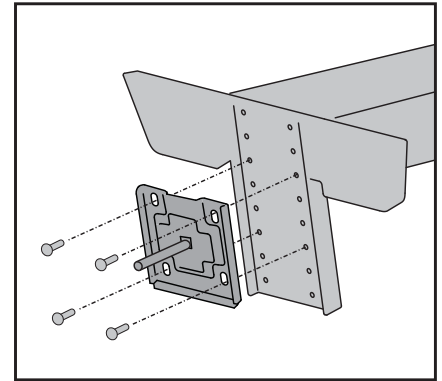
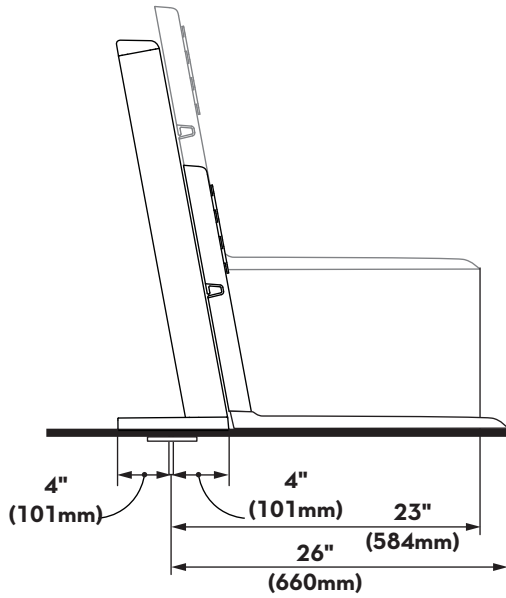


## Workfit-SR Grommet Kit

Dimensions shown are for a center mounted grommet, as recommended.



### Short Worksurface

© 2016 Ergotron, Inc. rev. 06/30/2016 DIM-WorkfitSR\_GrommetKit Content is subject to change without notification

#### Americas Sales and Corporate Headquarters

St. Paul, MN USA  
(800) 888-8458  
+1-651-681-7600  
www.ergotron.com  
sales@ergotron.com

#### EMEA Sales

Amersfoort, The Netherlands  
+31 33 45 45 600  
www.ergotron.com  
info.eu@ergotron.com

#### APAC Sales

Tokyo, Japan  
www.ergotron.com  
apaccustomerservice@ergotron.com

#### Worldwide OEM Sales

www.ergotron.com  
info.oem@ergotron.com