



[www.ergotron.com](http://www.ergotron.com)

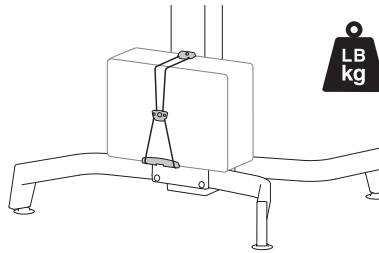
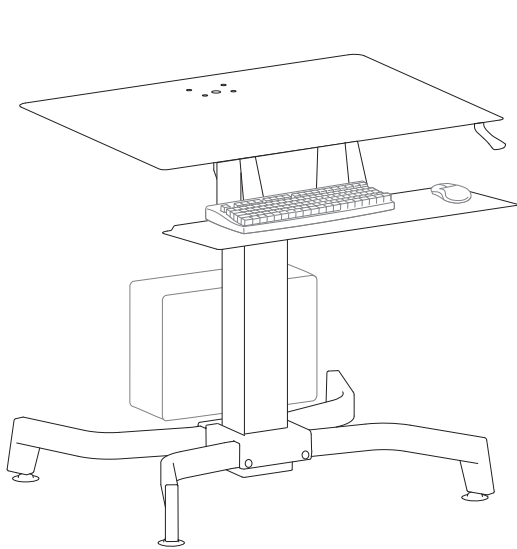
USA 1-800-888-8458

Europe +31 (0)33-45 45 600

China 86-769-86018920

For service and warranty visit [www.ergotron.com](http://www.ergotron.com)  
 Si desea información de servicio y garantía, visite [www.ergotron.com](http://www.ergotron.com)  
 Pour toute question concernant la garantie ou le service client, consultez [www.ergotron.com](http://www.ergotron.com)  
 Weitere Informationen zu Service und Gewährleistung erhalten Sie unter [www.ergotron.com](http://www.ergotron.com).  
 Ga voor service en garantie naar [www.ergotron.com](http://www.ergotron.com)  
 Per assistenza e la garanzia visitate [www.ergotron.com](http://www.ergotron.com)  
 Gå in på [www.ergotron.com](http://www.ergotron.com) för service och garanti  
 サービスおよび保証について詳しくは、[www.ergotron.com](http://www.ergotron.com) をご覧ください。  
 有关服务和保修，请访问 [www.ergotron.com](http://www.ergotron.com)

**ASSEMBLY INSTRUCTIONS**  
**Instrucciones de instalación**  
**Notice d'assemblage**  
**Montageanleitungen**  
**Installatie instructies**  
**Manuali d'Istruzione**  
 取扱説明書  
 安装说明  
 설치 안내

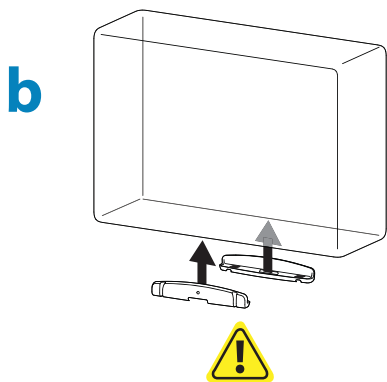
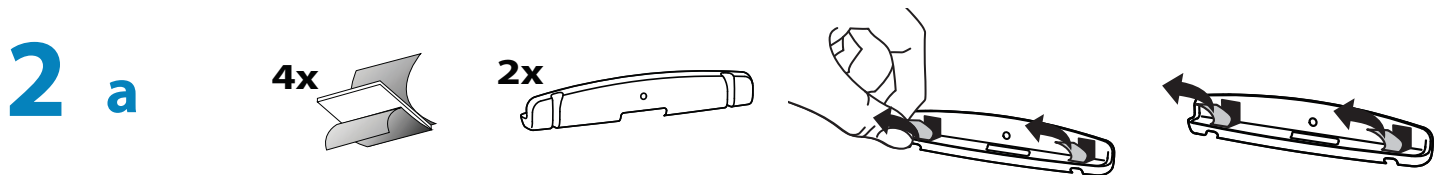
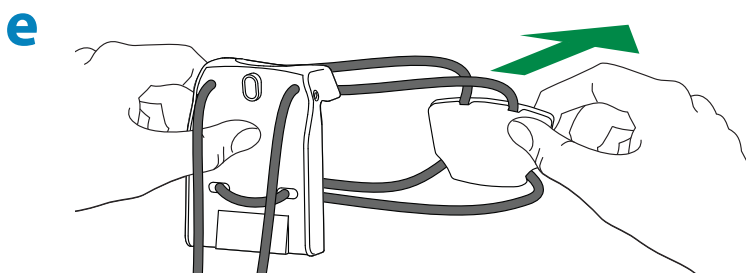
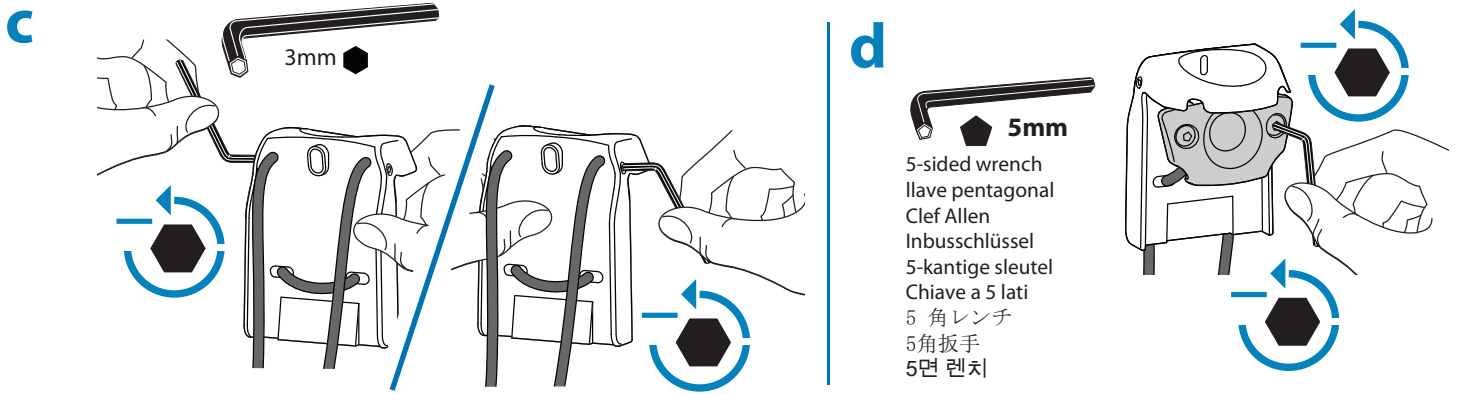
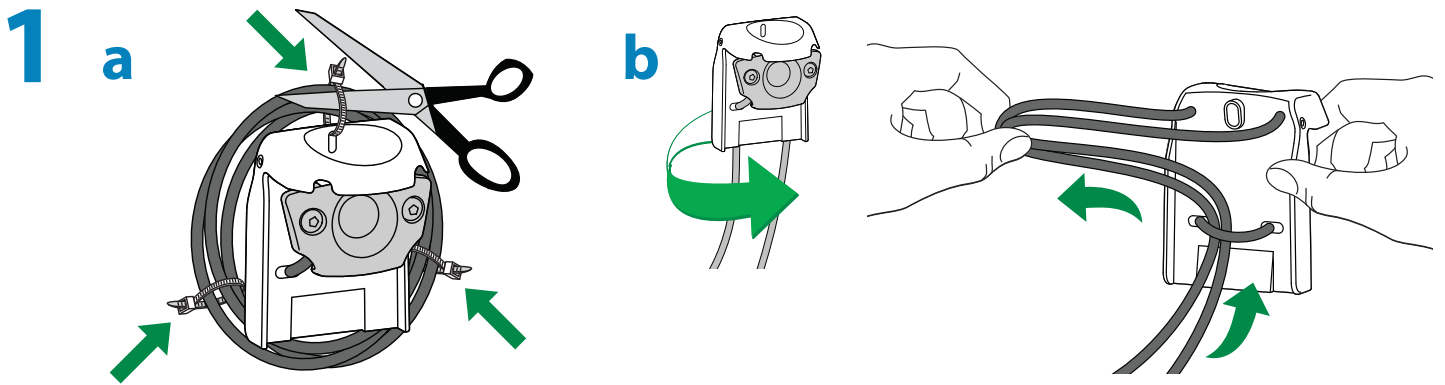


**Weight Capacity:** 40 lbs. (18 kg)  
**Maximum Size:** 18"H x 8.5"D (457 x 216 mm)  
**Minimum Size:** 9.4"H x 2.6"D (239 x 66 mm)  
**Capacidad de soporte de peso:** 40 lbs. (18 kg)  
**Dimensiones máximas:** 18"H x 8.5"D (457 x 216 mm)  
**Dimensiones mínimas:** 9.4"H x 2.6"D (239 x 66 mm)  
**Capacité de poids:** 40 lbs. (18 kg)  
**Taille maximum :** 18"H x 8.5"D (457 x 216 mm)  
**Taille minimum :** 9.4"H x 2.6"D (239 x 66 mm)  
**Tragkraft:** 40 lbs. (18 kg)  
**Maximalgröße:** 18"H x 8.5"D (457 x 216 mm)  
**Minimalgröße:** 9.4"H x 2.6"D (239 x 66 mm)  
**Gewichtscapaciteit:** 40 lbs. (18 kg)  
**Maximale afmeting:** 18"H x 8.5"D (457 x 216 mm)  
**Minimale afmeting:** 9.4"H x 2.6"D (239 x 66 mm)  
**Capacità di peso:** 40 lbs. (18 kg)  
**Dimensioni massime:** 18"H x 8.5"D (457 x 216 mm)  
**Dimensioni minime:** 9.4"H x 2.6"D (239 x 66 mm)  
 許容重量: 40 lbs. (18 kg)  
 最大サイズ: 18"H x 8.5"D (457 x 216 mm)  
 最小サイズ: 9.4"H x 2.6"D (239 x 66 mm)  
 承重: 40 lbs. (18 kg)  
 最大尺寸: 18"H x 8.5"D (457 x 216 mm)  
 最小尺寸: 9.4"H x 2.6"D (239 x 66 mm)  
 허용 중량: 40 lbs. (18 kg)  
 최대 크기: 18"H x 8.5"D (457 x 216 mm)  
 최소 크기: 9.4"H x 2.6"D (239 x 66 mm)

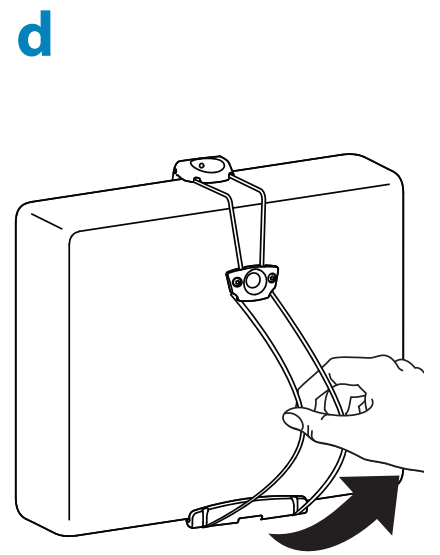
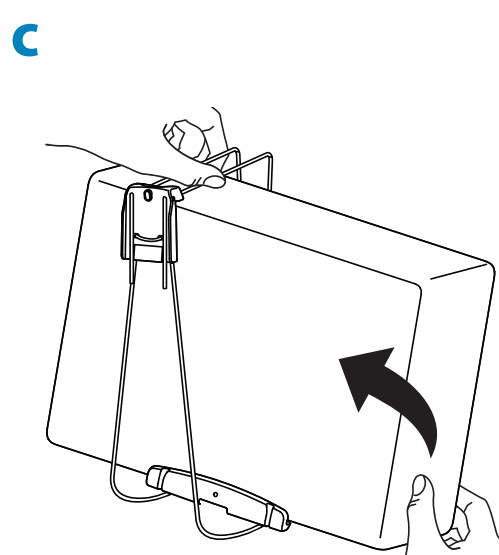


	A	B	C	D
1				<p>5-sided Security Wrench                      Llave de seguridad pentagonal                      Clef Allen de sécurité                      Fünfkant-Inbusschlüssel                      5-kantige veiligheidsleutel                      Chiave pentagonale di sicurezza                      5角固定用レンチ                      5角安全扳手                      5면 Security Wrench(안전 렌치)</p>
2				
3				



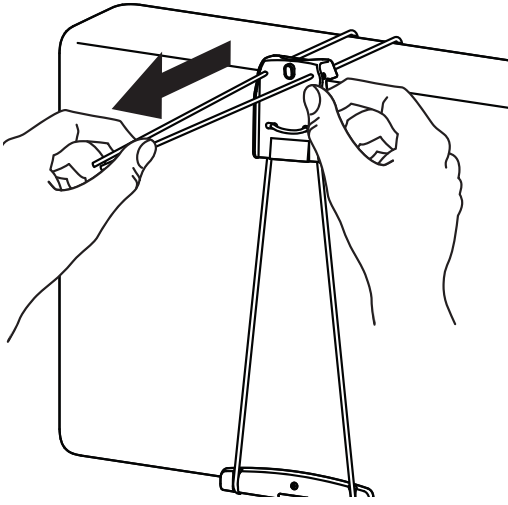


NOTE: Center on bottom  
 NOTA: Centre por la parte inferior  
 REMARQUE : centrer la partie inférieure  
 HINWEIS: Richten Sie die Geräte mittig aus.  
 OPMERKING: Centrenen op onderkant  
 NOTA. Centrare nella parte inferiore.  
 OBS: Mitten på underdelen  
 注：下部の中央  
 注意：底部居中

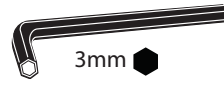


# 3

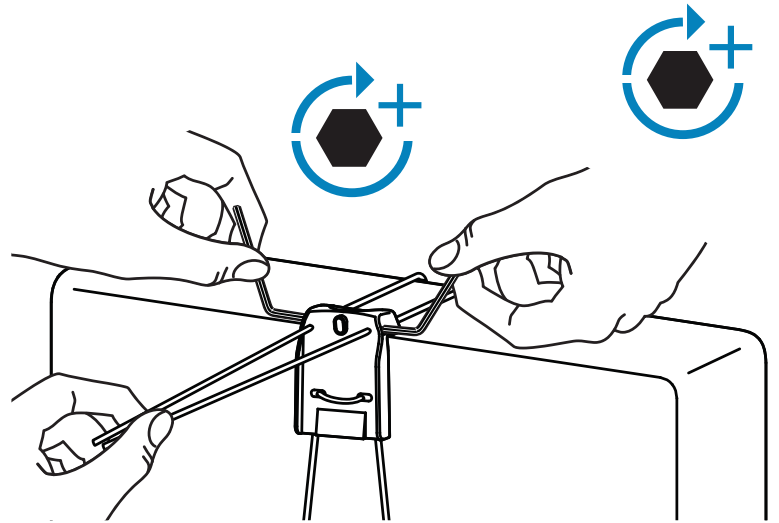
## a



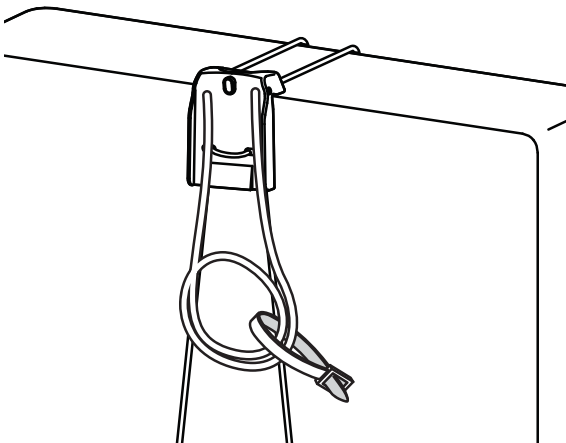
## b



3mm



## c



**CAUTION:** Do Not over tighten fasteners. Over-tightening may cause damage to fasteners.

**Precaución:** No ajuste en exceso los sujetadores. El sobreajuste puede estropearlos.

**Attention :** ne pas serrer excessivement les fixations. Risques d'endommagement.

**Vorsicht:** Die Halterungen niemals übermäßig festziehen. Das übermäßige Festziehen kann die Halterungen beschädigen.

**Let op:** Draai de bevestigingsmaterialen niet te vast. Te vast aandraaien kan schade veroorzaken aan de bevestigingsmaterialen.

**Attenzione:** non serrare eccessivamente i dispositivi di fissaggio. Un serraggio eccessivo potrebbe provocare danni ai dispositivi di fissaggio.

注意: 留金は締めすぎないようにしてください。強く締め付けすぎると、金具が破損する原因となります。

小心: 不要过度拧紧紧固件。过度拧紧可能会损坏紧固件。

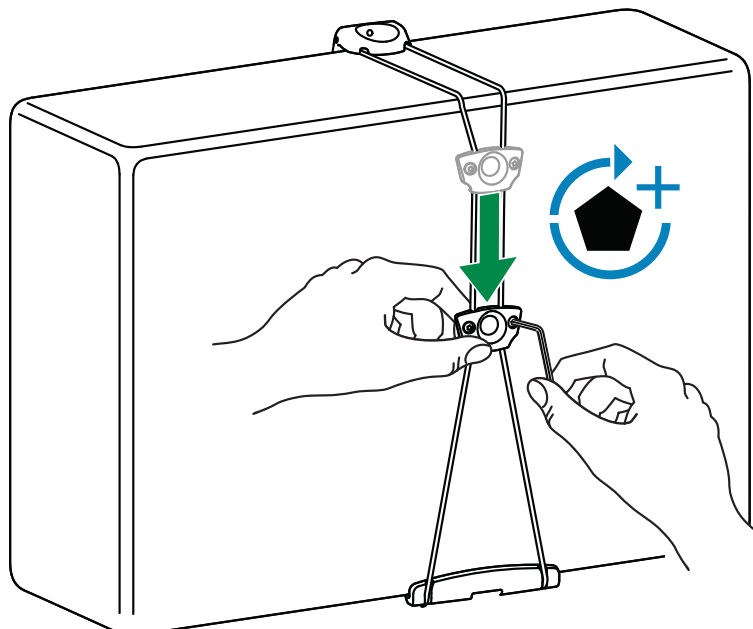
주의: 고정 장치를 너무 조이지 마십시오. 너무 조이면 고정 장치가 손상될 수 있습니다.

# 4



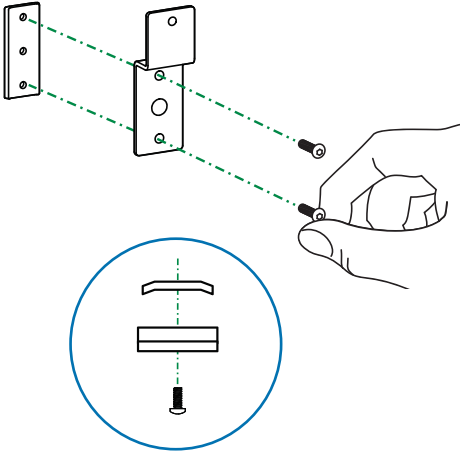
5mm

5-sided wrench  
llave pentagonal  
Clef Allen  
Inbusschlüssel  
5-kantige sleutel  
Chiave a 5 lati  
5 角レンチ  
5角扳手  
5면 렌치

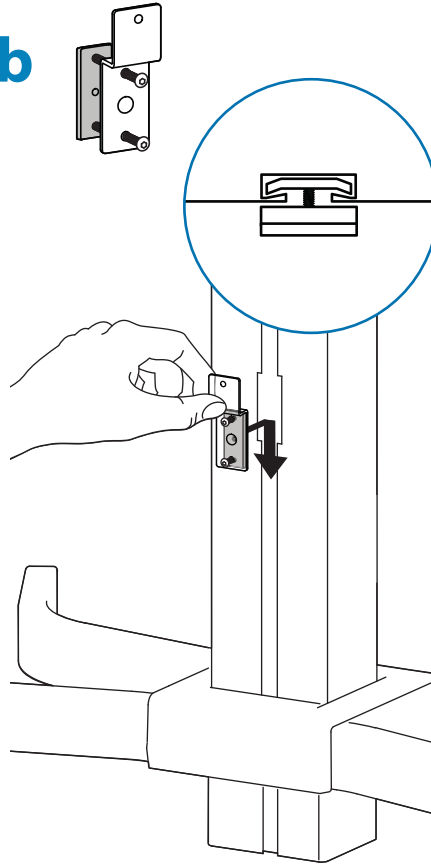


# 5

**a** 2x  
M5 x 10mm



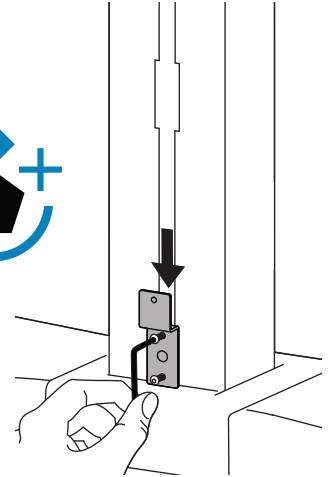
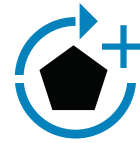
# b



# c

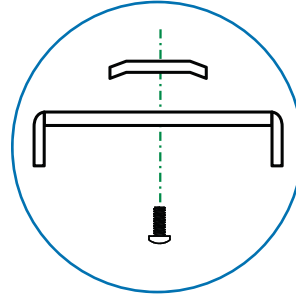
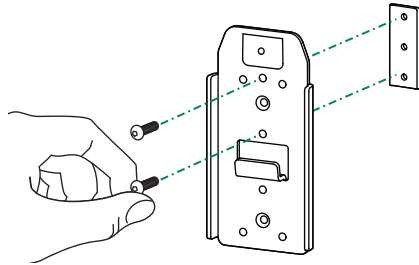
5mm

5-sided wrench  
llave pentagonal  
Clef Allen  
Inbusschlüssel  
5-kantige sleutel  
Chiave a 5 lati  
5 角レンチ  
5角扳手  
5면 렌치



# 6

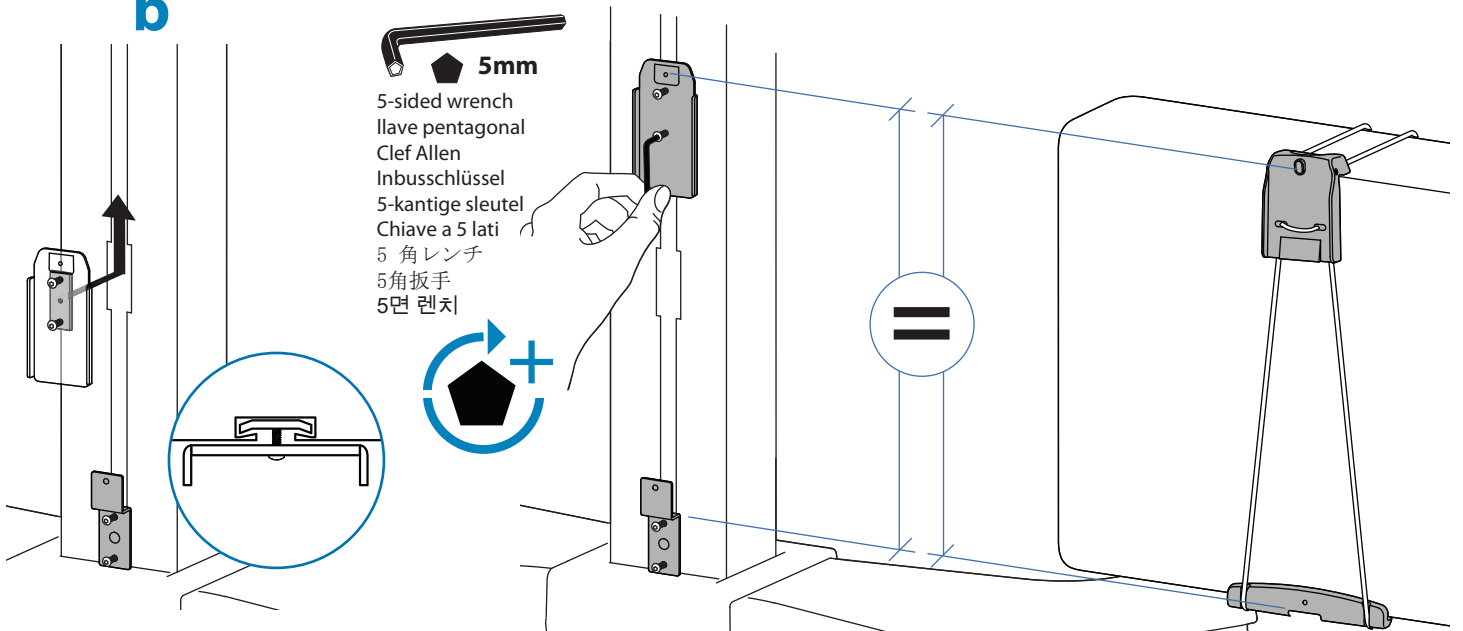
**a** 2x  
M5 x 10mm



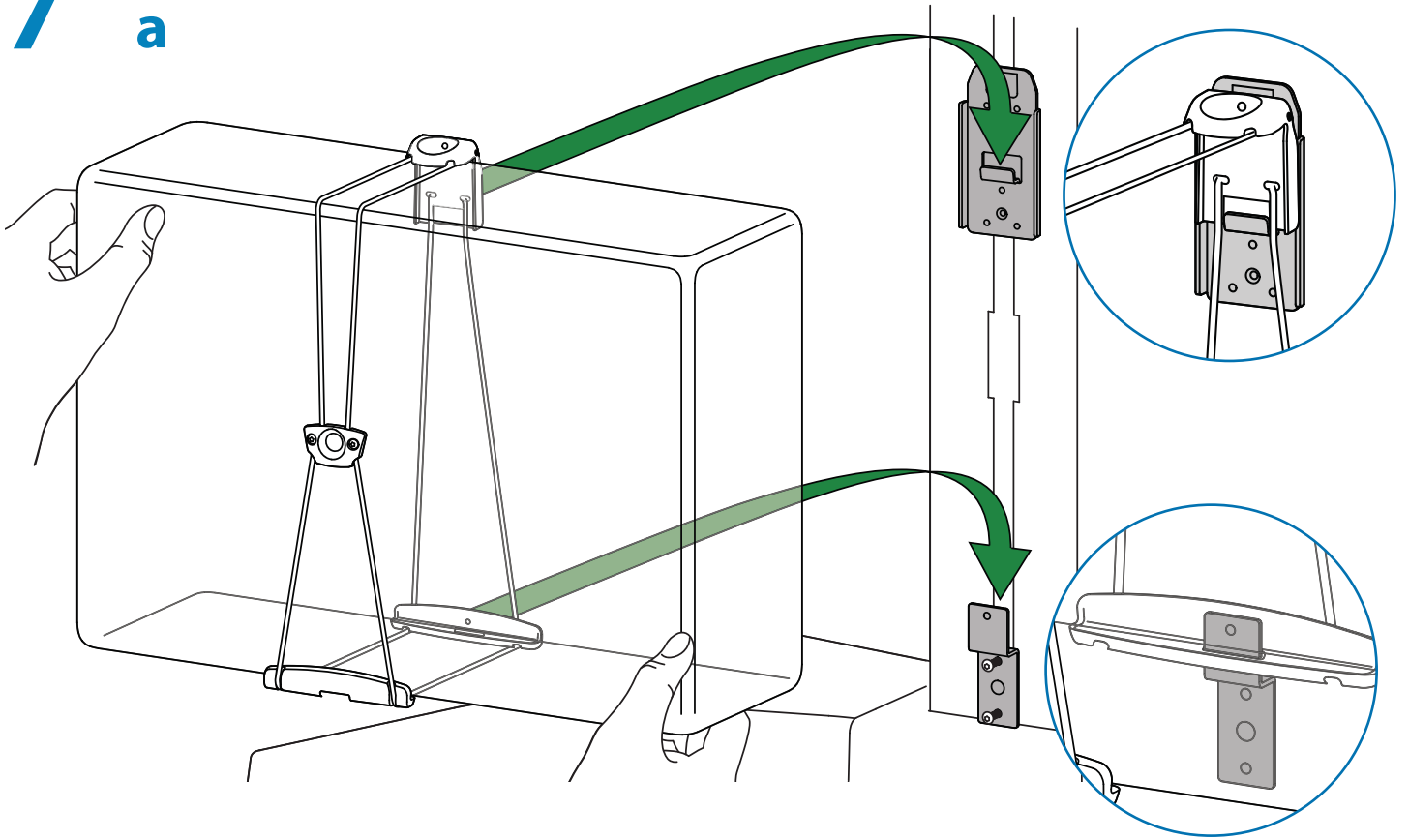
# b

5mm


5-sided wrench  
llave pentagonal  
Clef Allen  
Inbusschlüssel  
5-kantige sleutel  
Chiave a 5 lati  
5 角レンチ  
5角扳手  
5면 렌치



# 7 a

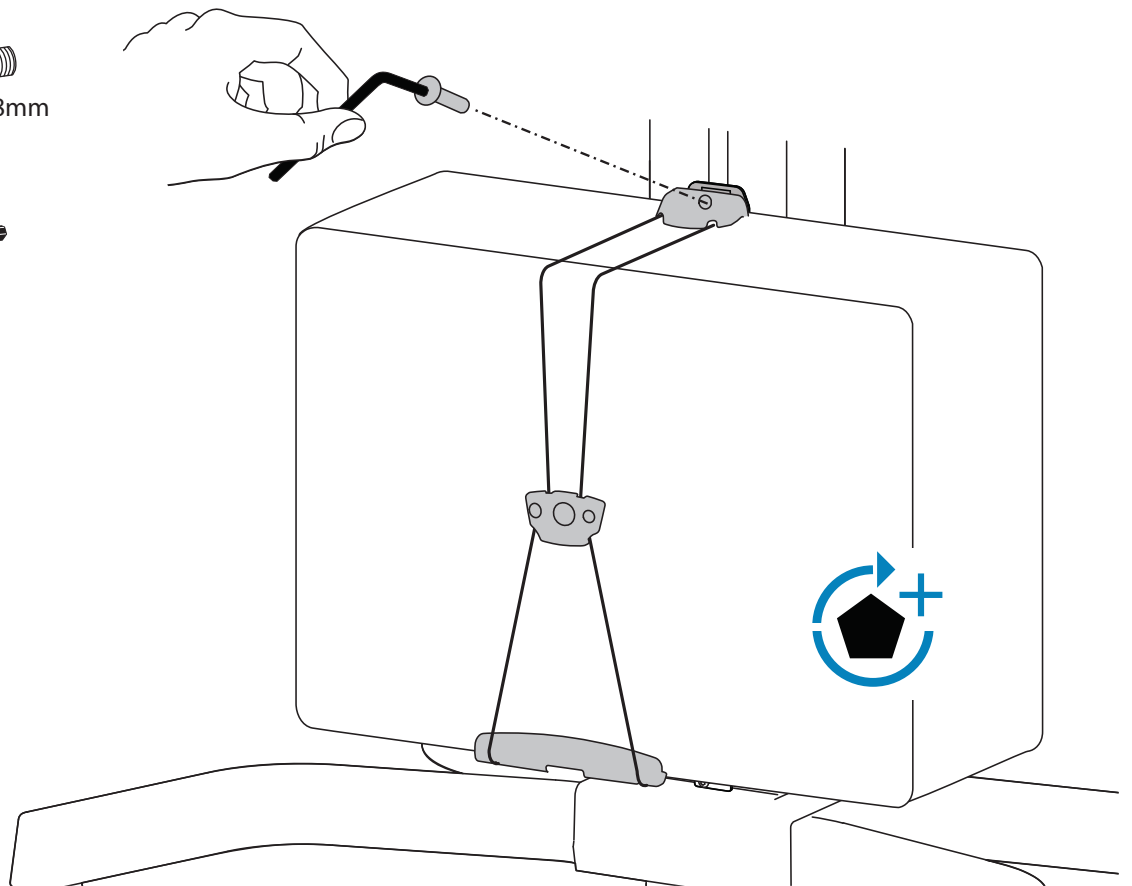


# b

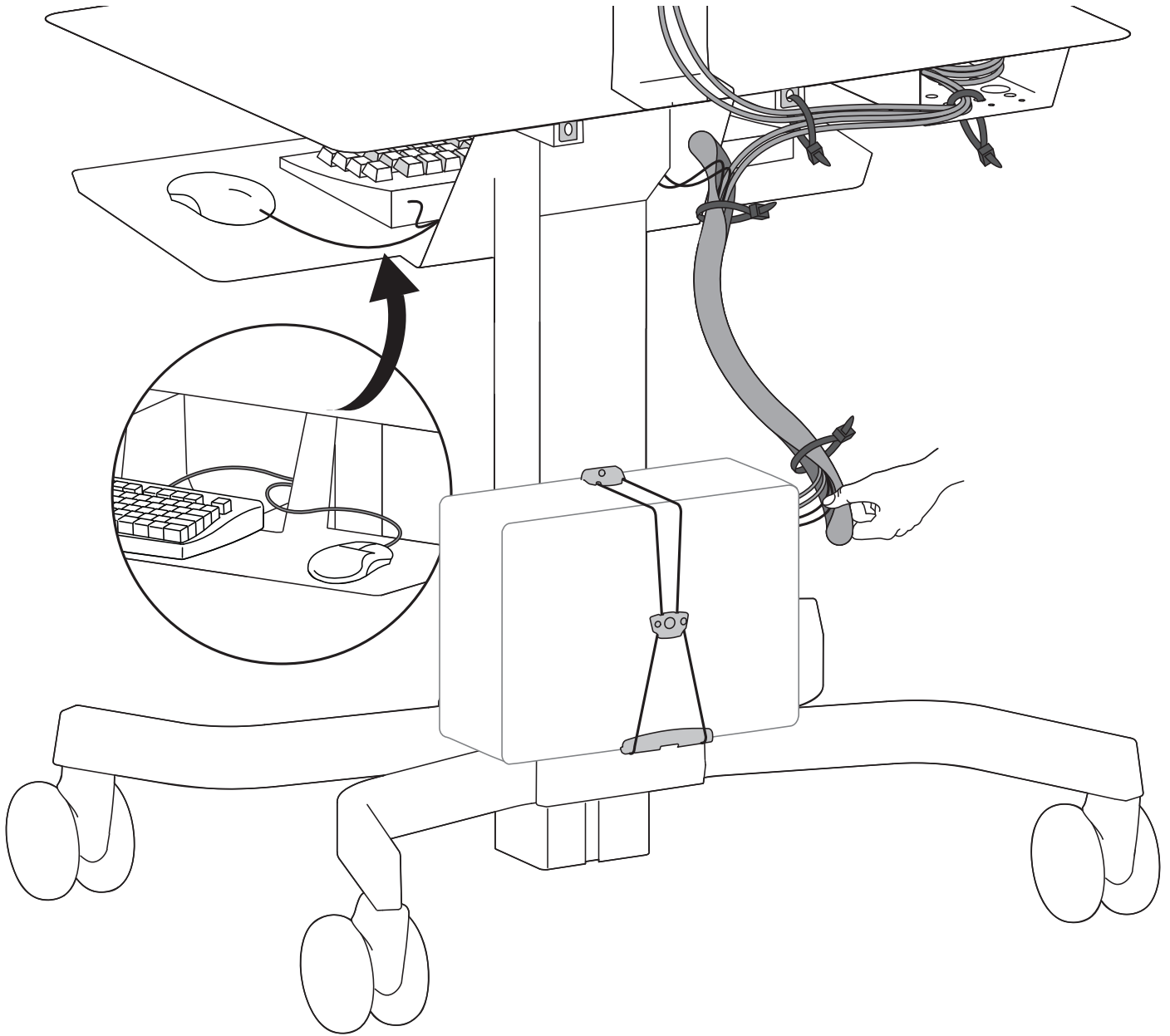
1x  M5 x 18mm

 5mm

5-sided wrench  
llave pentagonal  
Clef Allen  
Inbusschlüssel  
5-kantige sleutel  
Chiave a 5 lati  
5 角レンチ  
5角扳手  
5면 렌치



4x 



© 2012 Ergotron, Inc.  
All rights reserved.

While Ergotron, Inc. makes every effort to provide accurate and complete information on the installation and use of its products, it will not be held liable for any editorial errors or omissions (including those made in the process of translation from English to another language), or for incidental, special or consequential damages of any nature resulting from furnishing this instruction and performance of equipment in connection with this instruction. Ergotron, Inc. reserves the right to make changes in the product design and/or product documentation without notification to its users. For the most current product information, or to know if this document is available in languages other than those herein, please contact Ergotron. No part of this publication may be reproduced, stored in a retrieval system, or transmitted in any form or by any means, electronic, mechanical, photocopying, recording or otherwise without the prior written consent of Ergotron, Inc., 1181 Trapp Road, Eagan, Minnesota, 55121, USA. Patents Pending and Patented U.S. & Foreign. Ergotron is a registered trademark of Ergotron, Inc.

**Americas Sales and Corporate Headquarters**

St. Paul, MN USA  
(800) 888-8458  
+1-651-681-7600  
www.ergotron.com  
sales@ergotron.com

**EMEA Sales**

Amersfoort, The Netherlands  
+31 33 45 45 600  
www.ergotron.com  
info.eu@ergotron.com

**APAC Sales**

Tokyo, Japan  
www.ergotron.com  
apaccustomerservice@ergotron.com

**Worldwide OEM Sales**

www.ergotron.com  
info.oem@ergotron.com