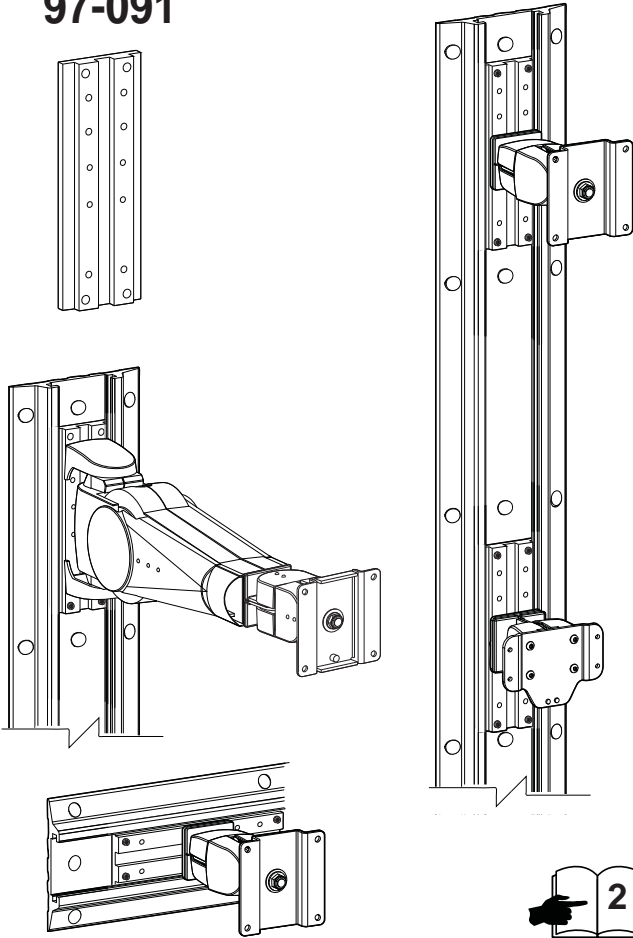


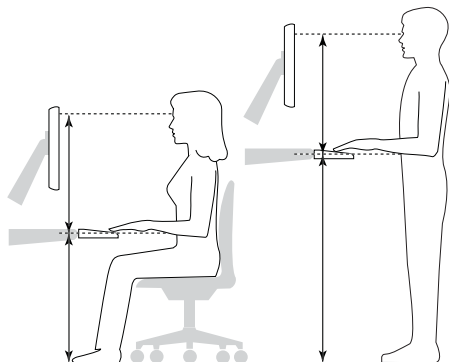
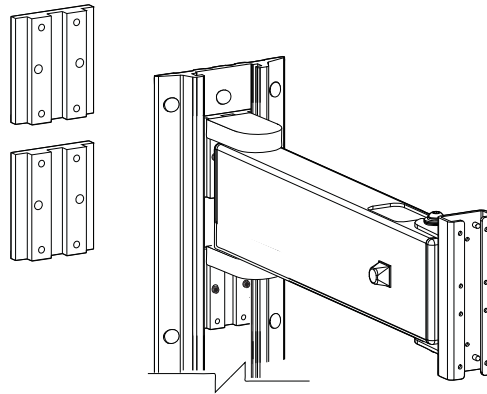
Wall Track Brackets for Mounting Flat Panel Monitor Arms and Direct Pivots

www.ergotron.com
 USA 1-800-888-8458
 Europe +31 (0)33-45 45 600
 China 86-769-86018920

97-091



97-083



Ergonomic Mounting Heights
 For Flat Panel Monitors and Displays

Overview
 When mounted properly, Ergotron mounts™ will provide ergonomic viewing and adjustment operation for a wide range of screen resolution, refresh rates, and in advanced situations.

Height
 The recommended viewing and adjustment height is 15-18 inches (38-46 cm) above the workstation. This height allows the user to view the screen at an ergonomically correct viewing angle of 15-20 degrees. Flat Panel Monitor/Workstation adjustment height is 15-18 inches (38-46 cm) above the workstation. Mounting height may change due to various workstation heights.

The Anthropometric Table on page 10 shows how mounting heights are calculated based on the user's eye-to-shoulder height of the user and screen position.

To insure your Flat Panel Monitor or Workstation is ergonomically correct height, start at step 1 and continue as directed.

FIND YOUR MOUNTING APPLICATION

HD Laptop View

Applications mounted to a horizontal surface

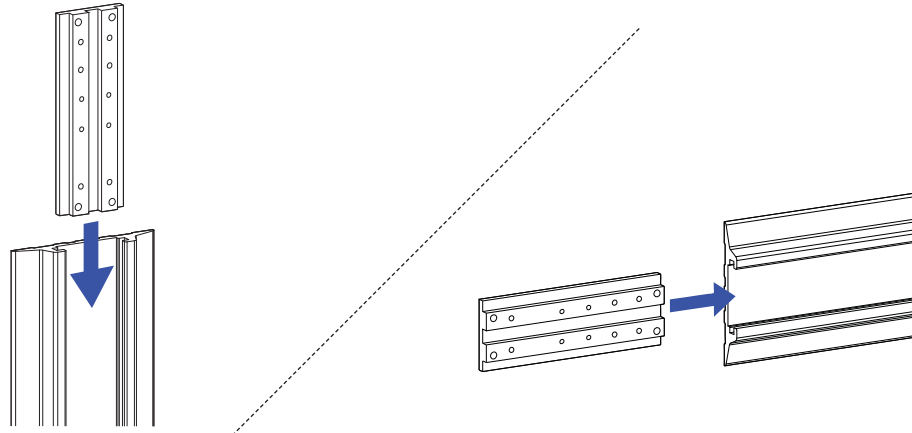
Applications mounted to a 1.5" pole

USE "H" to indicate mounting height for your application.

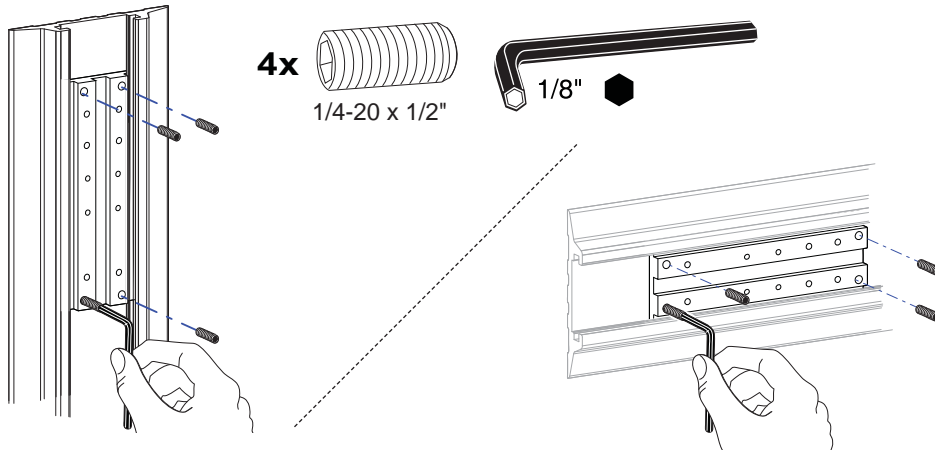
Rev E, 12/02 1 of 10 888-99-014-02

888-99-014

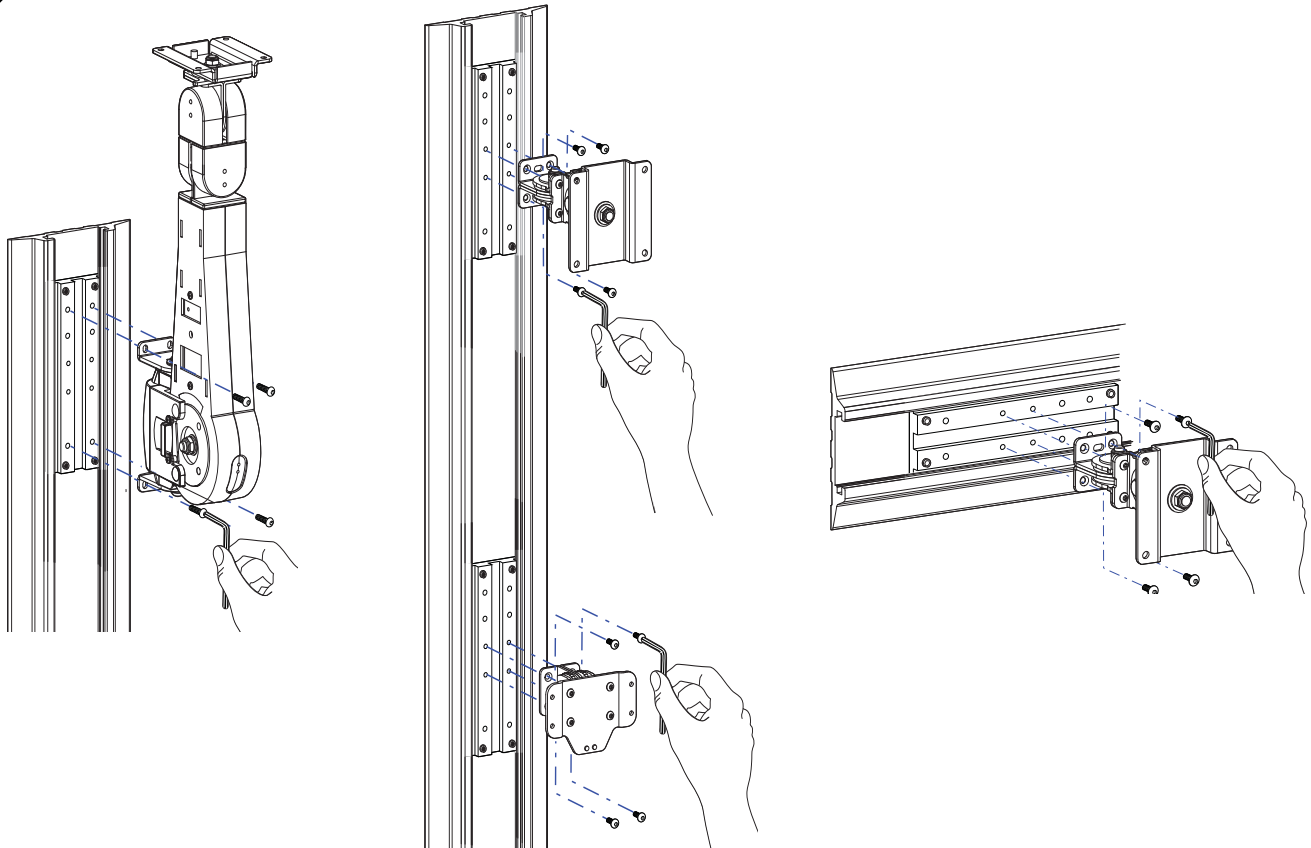
1

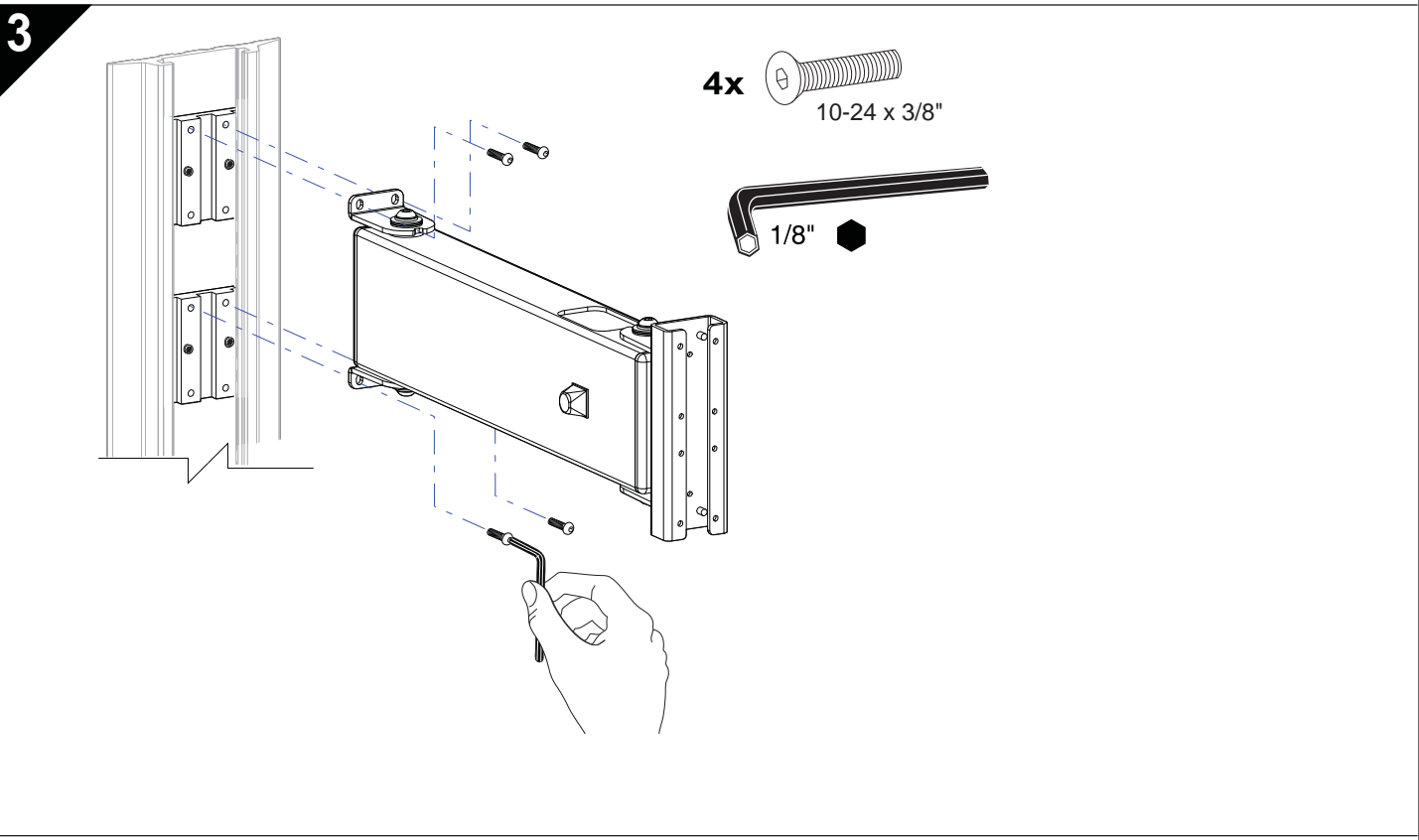
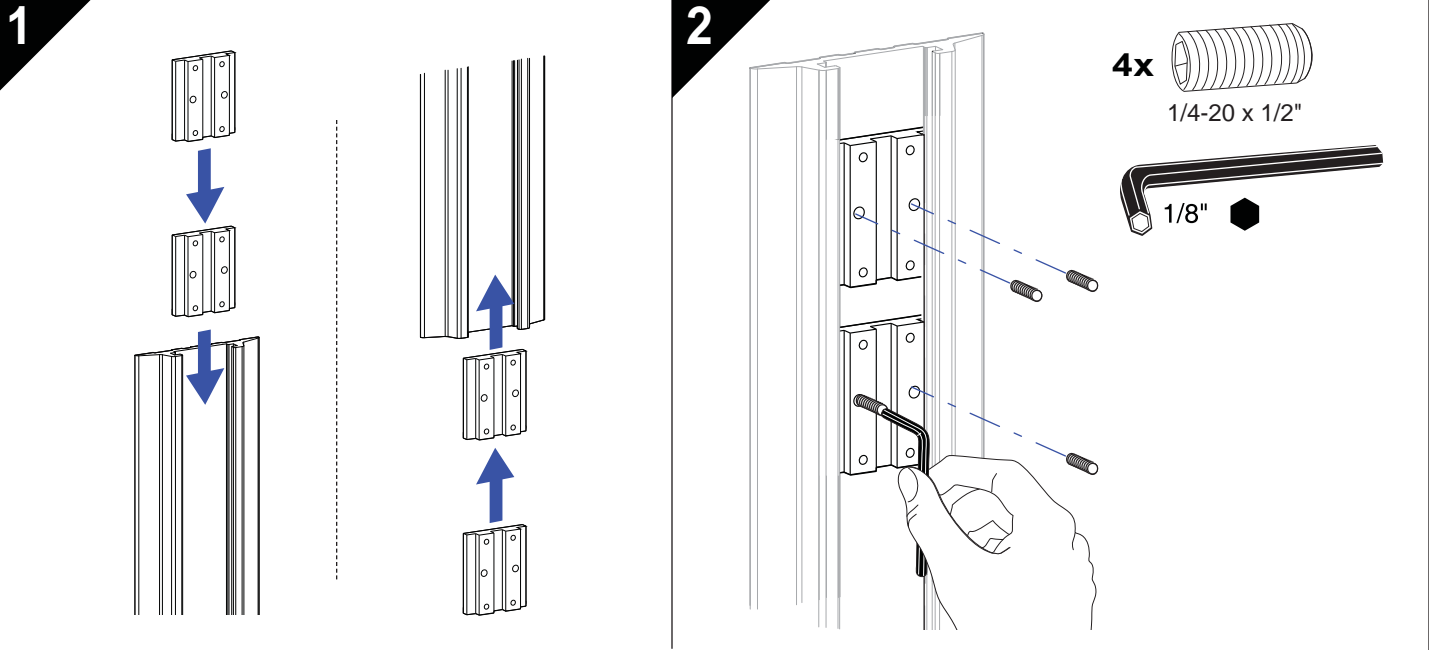


2



3





© 2009 Ergotron, Inc.
All rights reserved.

While Ergotron, Inc. makes every effort to provide accurate and complete information on the installation and use of its products, it will not be held liable for any editorial errors or omissions (including those made in the process of translation from English to another language), or for incidental, special or consequential damages of any nature resulting from furnishing this instruction and performance of equipment in connection with this instruction. Ergotron, Inc. reserves the right to make changes in the product design and/or product documentation without notification to its users. For the most current product information, or to know if this document is available in languages other than those herein, please contact Ergotron. No part of this publication may be reproduced, stored in a retrieval system, or transmitted in any form or by any means, electronic, mechanical, photocopying, recording or otherwise without the prior written consent of Ergotron, Inc., 1181 Trapp Road, Eagan, Minnesota, 55121, USA. Patents Pending and Patented U.S. & Foreign. Ergotron is a registered trademark of Ergotron, Inc.

Americas Sales and Corporate Headquarters

St. Paul, MN USA
(800) 888-8458
+1-651-681-7600
www.ergotron.com
sales@ergotron.com

EMEA Sales

Amersfoort, The Netherlands
+31 33 45 45 600
www.ergotron.com
info.eu@ergotron.com

APAC Sales

Tokyo, Japan
www.ergotron.com
info.apac@ergotron.com

Worldwide OEM Sales

www.ergotron.com
info.oem@ergotron.com

