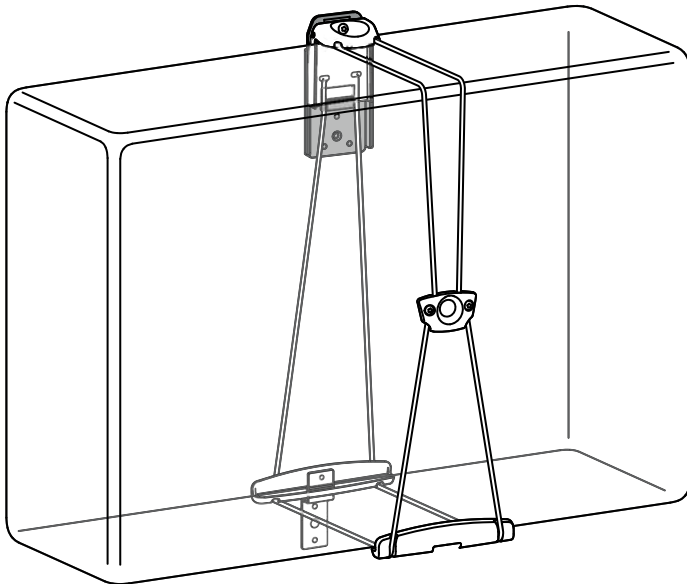


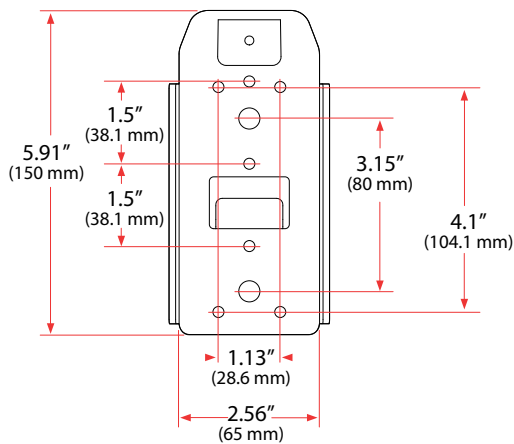
## Universal CPU Holder



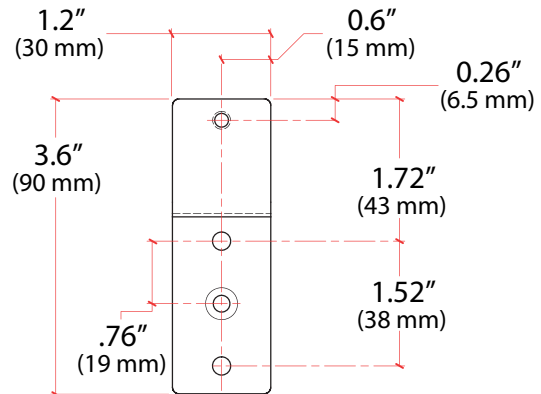
Overall dimensions vary based on the CPU dimensions

**Weight Capacity:** 50 lbs. (22.68 kg)  
**Maximum Size:** 18" x 8.5" (457 x 216 mm)  
**Minimum Size:** 9.4" x 2.6" (239 x 66 mm)

### Top Bracket Dimensions



### Bottom Bracket Dimensions



© 2012 Ergotron, Inc. rev. 11/06/2012 DIM-univCPU Content is subject to change without notification

#### Americas Sales and Corporate Headquarters

St. Paul, MN USA  
 (800) 888-8458  
 +1-651-681-7600  
[www.ergotron.com](http://www.ergotron.com)  
[sales@ergotron.com](mailto:sales@ergotron.com)

#### EMEA Sales

Amersfoort, The Netherlands  
 +31 33 45 45 600  
[www.ergotron.com](http://www.ergotron.com)  
[info.eu@ergotron.com](mailto:info.eu@ergotron.com)

#### APAC Sales

Tokyo, Japan  
[www.ergotron.com](http://www.ergotron.com)  
[apaccustomerservice@ergotron.com](mailto:apaccustomerservice@ergotron.com)

#### Worldwide OEM Sales

[www.ergotron.com](http://www.ergotron.com)  
[info.oem@ergotron.com](mailto:info.oem@ergotron.com)

