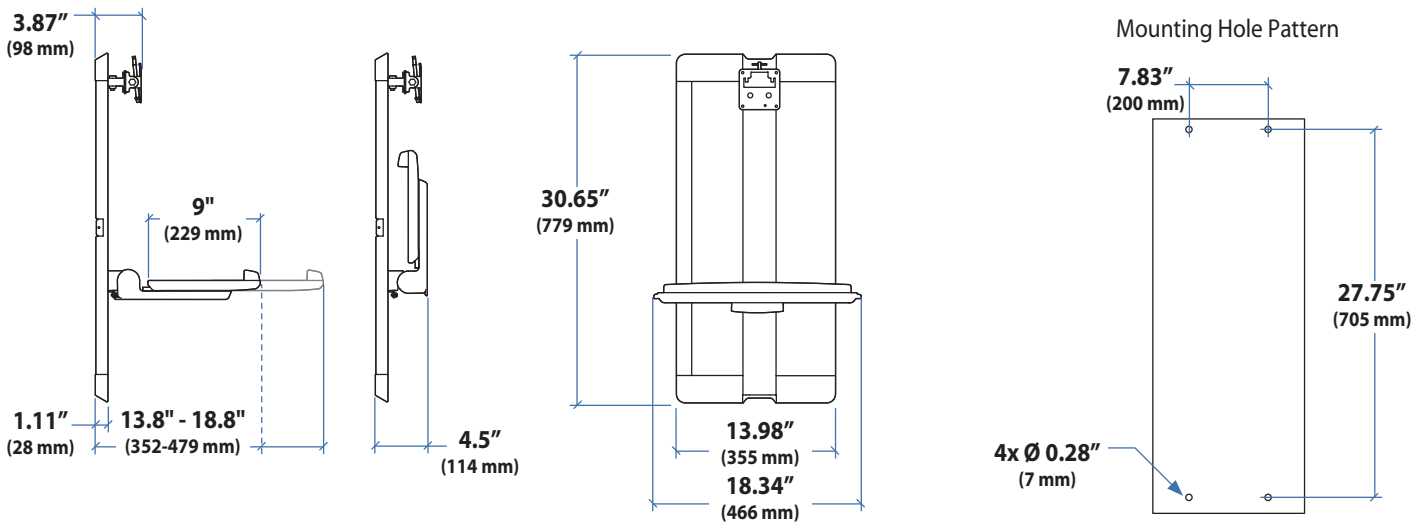


Ergotron® StyleView

Dimensional Illustrations

Vertical Lift, Patient Room



Centerline of Four-Hole VESA FDMI Pattern

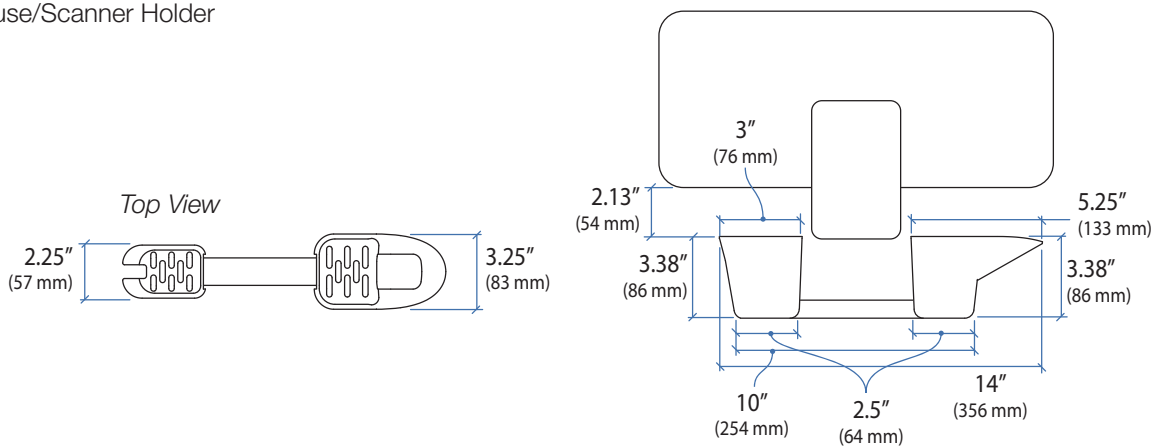
Rear of Monitor

Minimizing Vertical Lift Storage Profile
 For keyboard to fit under the monitor when in storage position, follow these guidelines:

1. Keyboard should not be more than 8-1/8" (206 mm) deep if using wrist rest, or 9-1/2" (241 mm) if no wrist rest is used.
2. Dimension "A" must be no greater than 6-5/8" (168 mm).

NOTE: Keyboard needs to attach to the lowest set of holes.

Mouse/Scanner Holder



© 2010 Ergotron, Inc. rev. 08/31/10 DIM-033-SV-Scan-Mouse Content is subject to change without notification

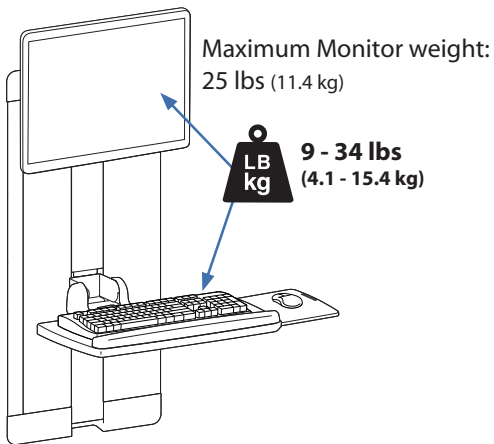
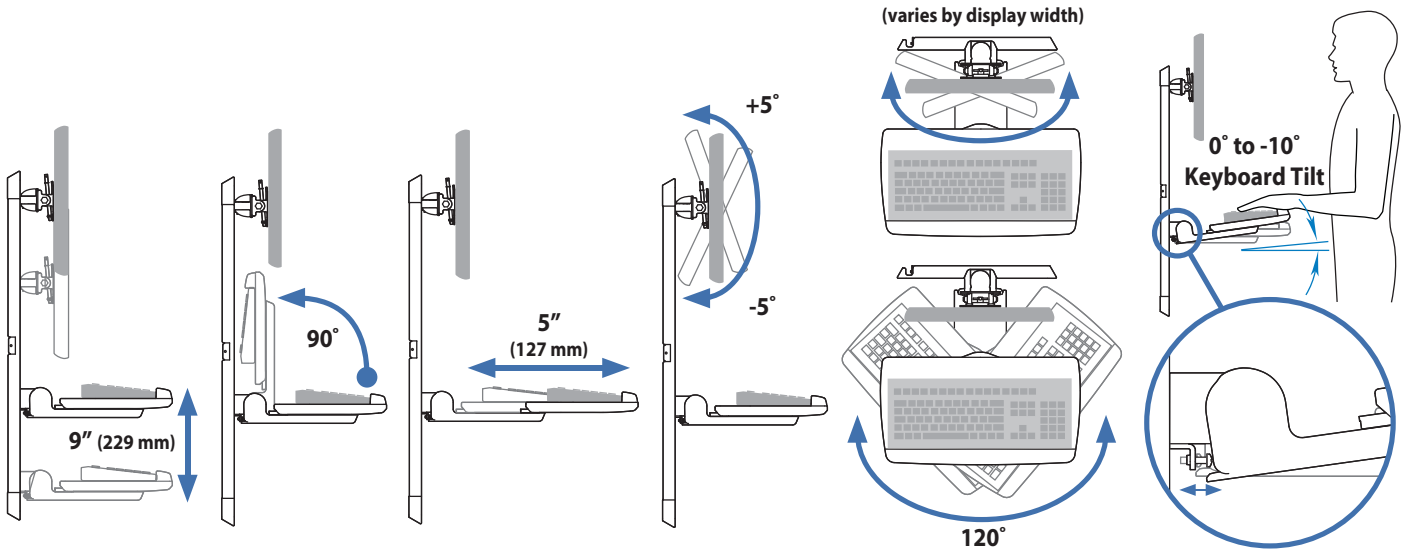
Americas Sales and Corporate Headquarters	EMEA Sales	APAC Sale	Worldwide OEM Sales
St. Paul, MN USA (800) 888-8458 +1-651-681-7600 www.ergotron.com sales@ergotron.com	Amersfoort, The Netherlands +31 33 45 45 600 www.ergotron.com info.eu@ergotron.com	Tokyo, Japan www.ergotron.com apaccustomerservice@ergotron.com	www.ergotron.com info.oem@ergotron.com



Ergotron® StyleView

Dimensional Illustrations

Vertical Lift, Patient Room



© 2010 Ergotron, Inc. rev. 08/31/10 DIM-033-SV-Scan-Mouse Content is subject to change without notification

Americas Sales and Corporate Headquarters	EMEA Sales	APAC Sale	Worldwide OEM Sales
St. Paul, MN USA (800) 888-8458 +1-651-681-7600 www.ergotron.com sales@ergotron.com	Amersfoort, The Netherlands +31 33 45 45 600 www.ergotron.com info.eu@ergotron.com	Tokyo, Japan www.ergotron.com apaccustomerservice@ergotron.com	www.ergotron.com info.oem@ergotron.com

