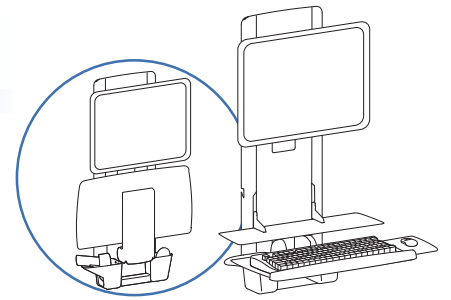
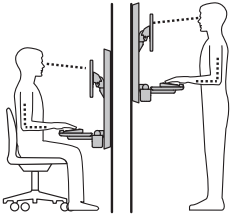


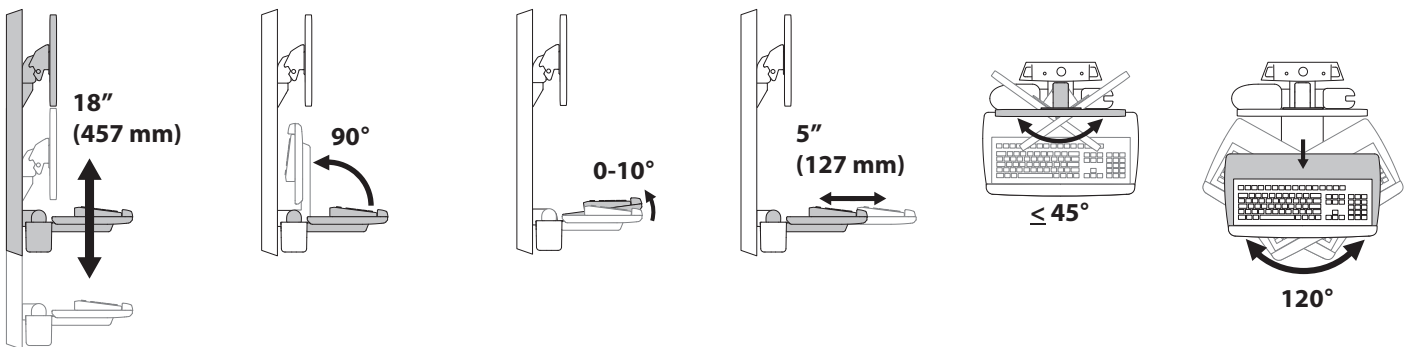
Ergotron®

StyleView Sit-Stand VL, Patient Room

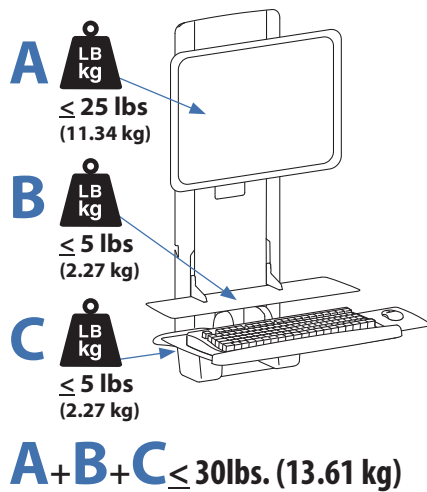
Dimensional Illustrations



Range of motion



Weight Capacity



© 2014 Ergotron, Inc. rev. 01/07/2014 DIM-SV-VL-PR Content is subject to change without notification

Americas Sales and Corporate Headquarters

St. Paul, MN USA
(800) 888-8458
+1-651-681-7600
www.ergotron.com
sales@ergotron.com

EMEA Sales

Amersfoort, The Netherlands
+31 33 45 45 600
www.ergotron.com
info.eu@ergotron.com

APAC Sales

Tokyo, Japan
www.ergotron.com
apaccustomerservice@ergotron.com

Worldwide OEM Sales

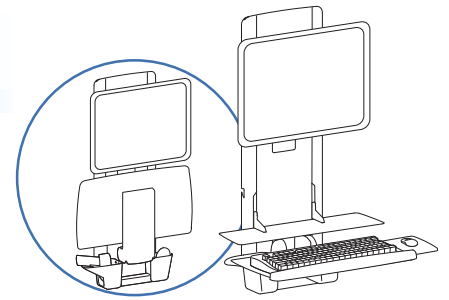
www.ergotron.com
info.oem@ergotron.com



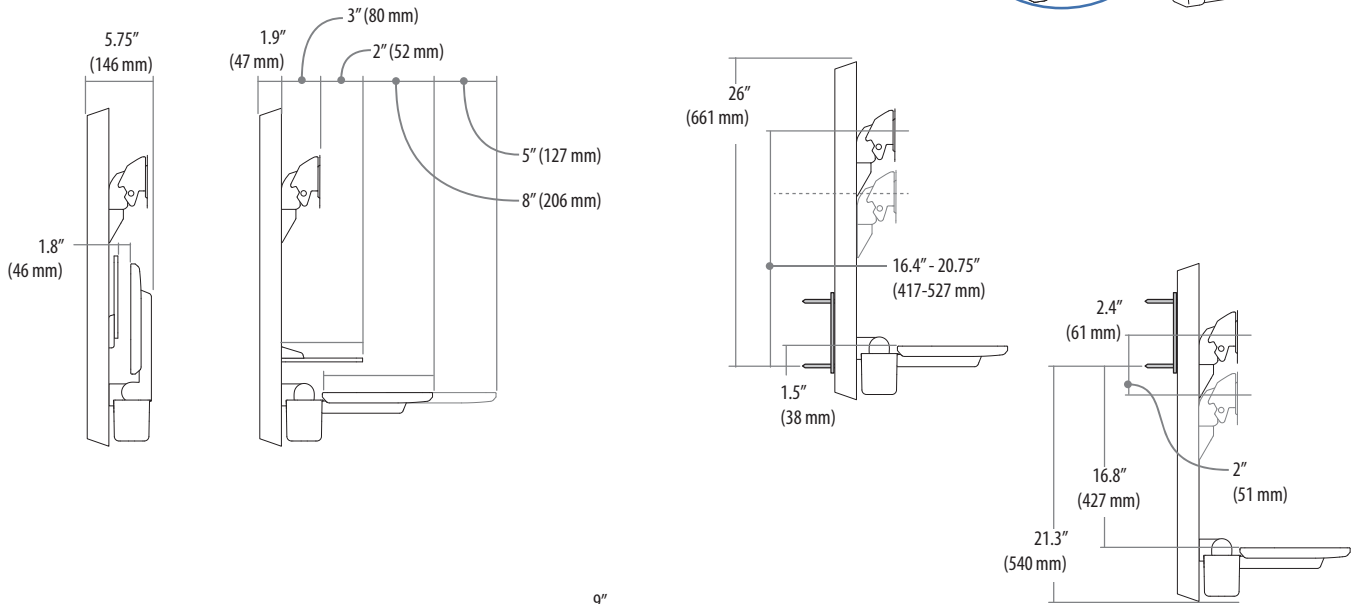
Ergotron®

StyleView Sit-Stand VL, Patient Room

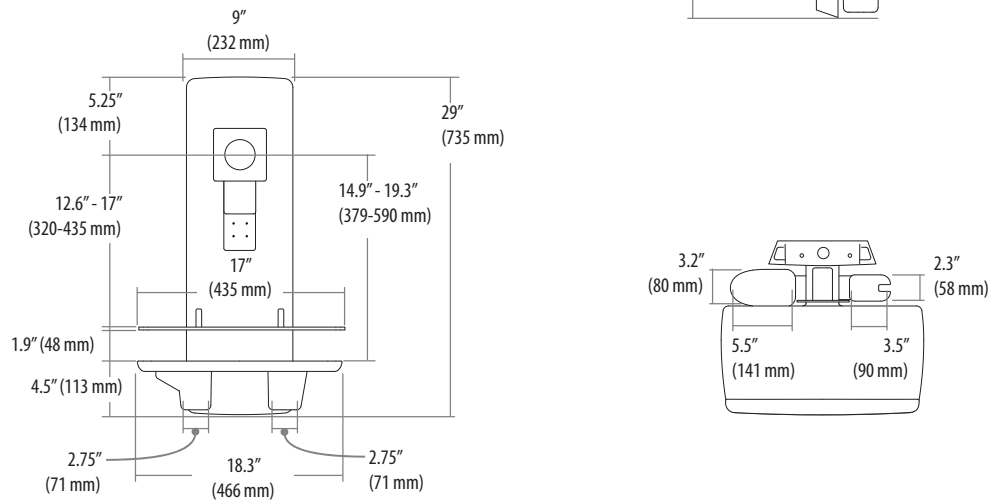
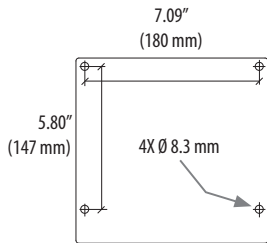
Dimensional Illustrations



Dimensions



Wall Mount Bracket



© 2014 Ergotron, Inc. rev. 01/07/2014 DIM-SV-VL-PR Content is subject to change without notification

Americas Sales and Corporate Headquarters

St. Paul, MN USA
(800) 888-8458
+1-651-681-7600
www.ergotron.com
sales@ergotron.com

EMEA Sales

Amersfoort, The Netherlands
+31 33 45 45 600
www.ergotron.com
info.eu@ergotron.com

APAC Sales

Tokyo, Japan
www.ergotron.com
apaccustomerservice@ergotron.com

Worldwide OEM Sales

www.ergotron.com
info.oem@ergotron.com

