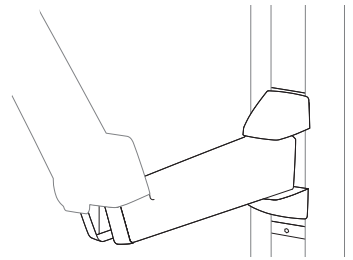
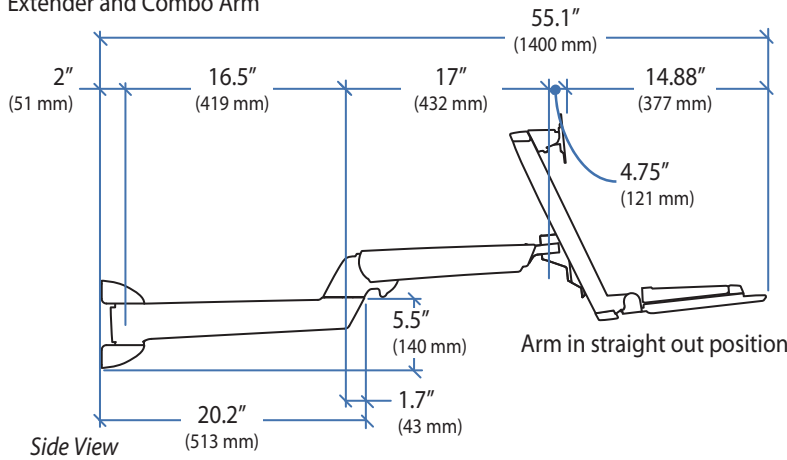


# Ergotron® StyleView

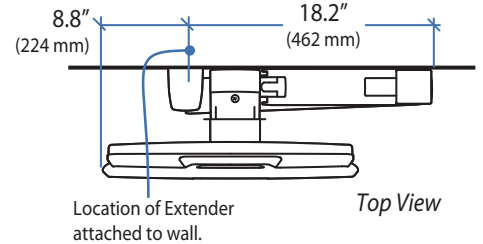
## StyleView® Sit Stand Combo Arm Extender

### Dimensional & Range of Motion Illustrations

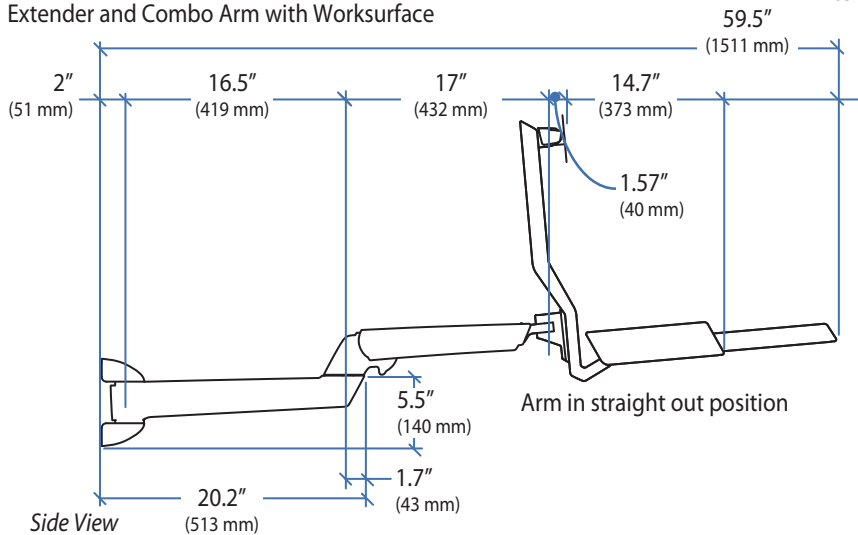
Extender and Combo Arm



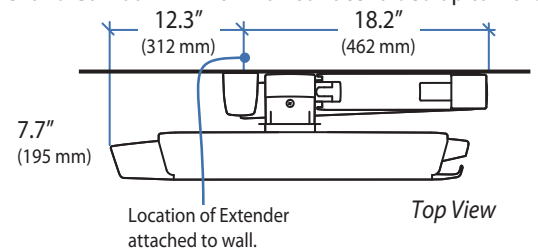
Extender and Combo Arm folded up to wall.



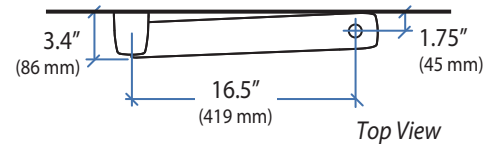
Extender and Combo Arm with Worksurface



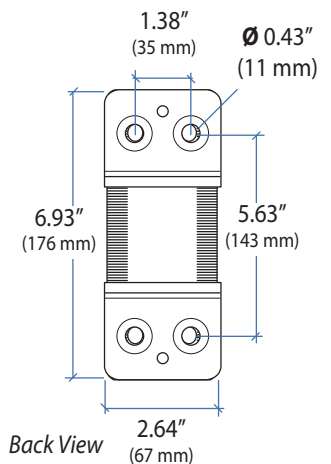
Extender and Combo Arm with Worksurface folded up to wall.



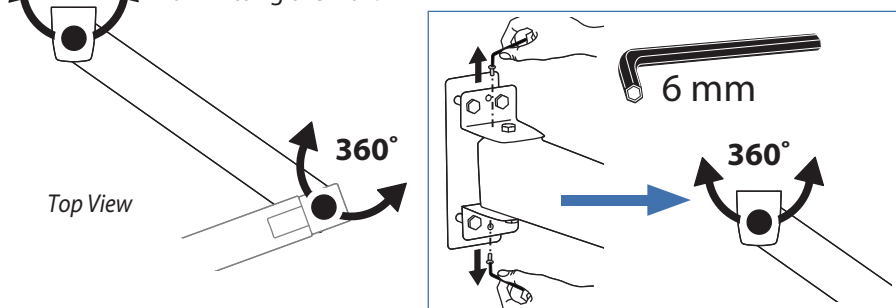
Extender



Wall Mount Bracket



**180°\*** \*Product shipped with rotation stop in place to prevent the Extender from hitting the wall.



© 2013 Ergotron, Inc. rev. 06/13/2013 DIM-ComboExtender Content is subject to change without notification

**Americas Sales and Corporate Headquarters**

St. Paul, MN USA  
(800) 888-8458  
+1-651-681-7600  
www.ergotron.com  
sales@ergotron.com

**EMEA Sales**

Amersfoort, The Netherlands  
+31 33 45 45 600  
www.ergotron.com  
info.eu@ergotron.com

**APAC Sale**

Tokyo, Japan  
www.ergotron.com  
apaccustomerservice@ergotron.com

**Worldwide OEM Sales**

www.ergotron.com  
info.oem@ergotron.com

