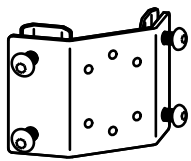
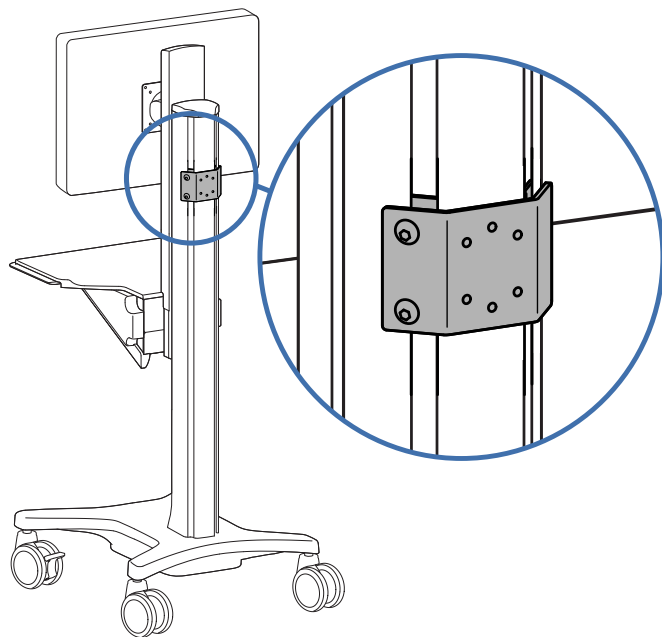


T-Slot Interface Bracket



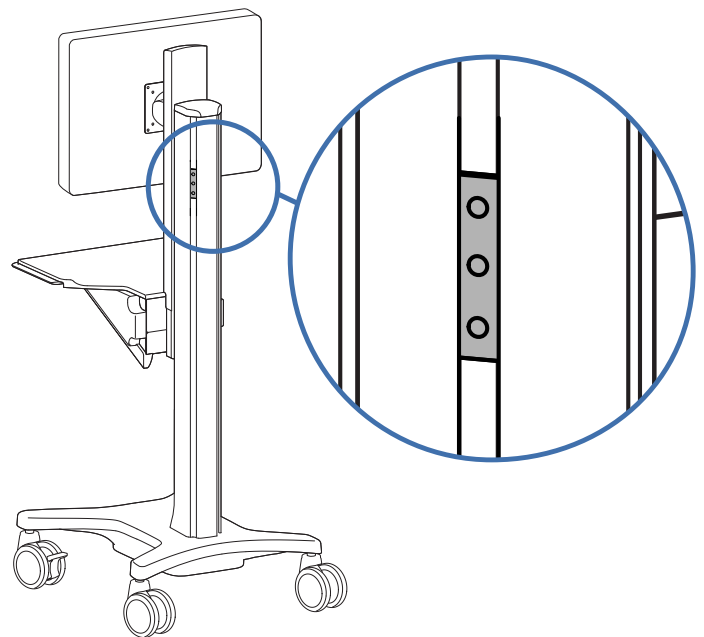
T-Slot Interface Bracket
Soporte de interfaz T-Slot
Applique d'interface à rainure en T
T-Slot Schnittstellenbügel
Aanpassing voor beugel met T-gleuf
Staffa interfaccia T-Slot
T-スロットインターフェース
スブラケット
T型槽接口托板
T 슬롯 인터페이스 브래킷



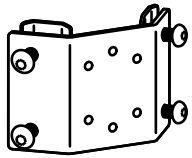
Light Duty T-Slot Bracket



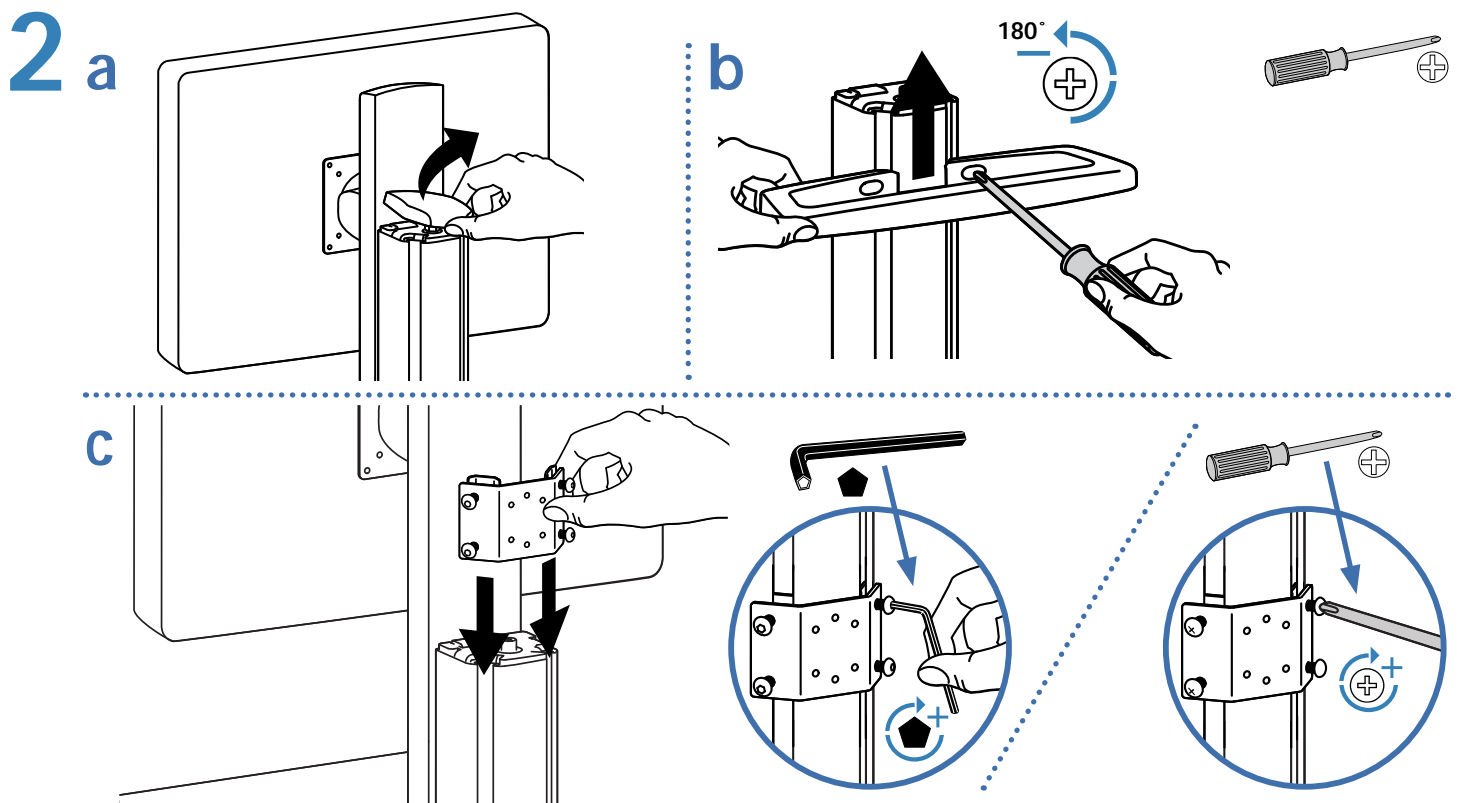
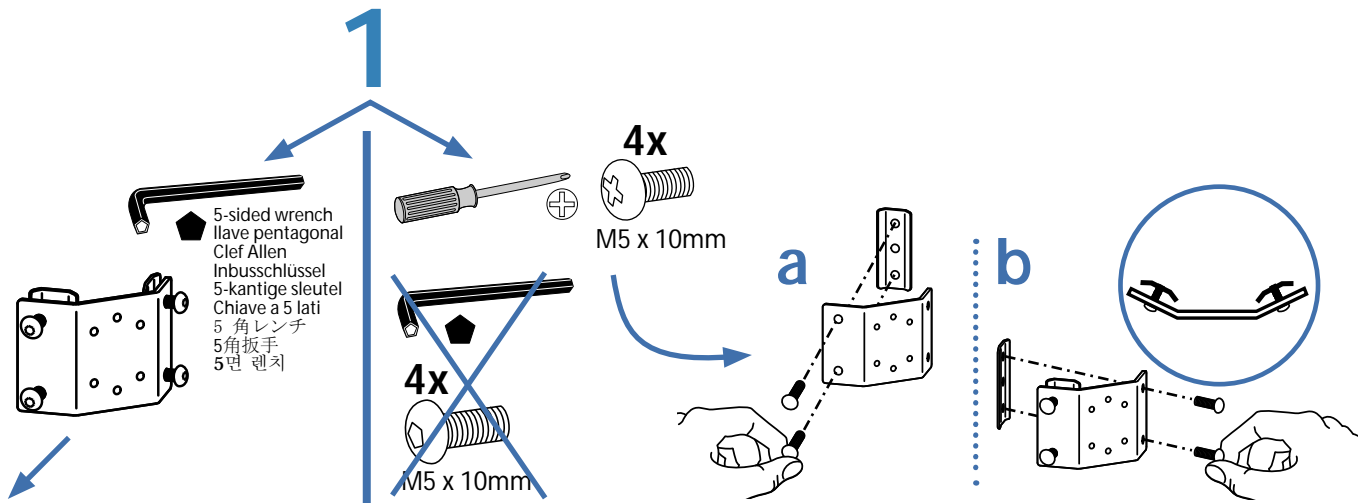
Light Duty T-Slot Bracket
Soporte T-Slot para pesos ligeros
Applique à rainure en T pour usage léger
T-Slot-Bügel für leichte Belastung
Lichte beugel met T-gleuf
Staffa T-Slot Light Duty
ライトデューティー T-スロット
ブラケット
轻型T形槽托板
경량용 T 슬롯 브래킷



T-Slot Interface Bracket



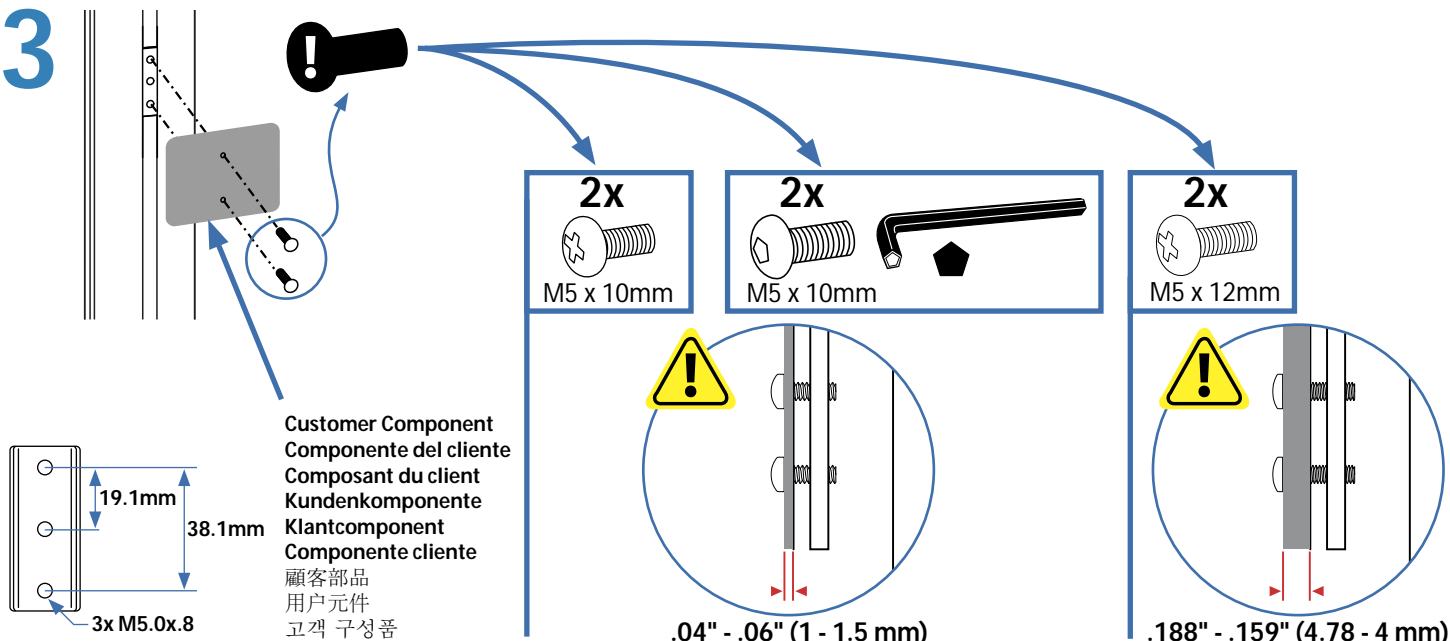
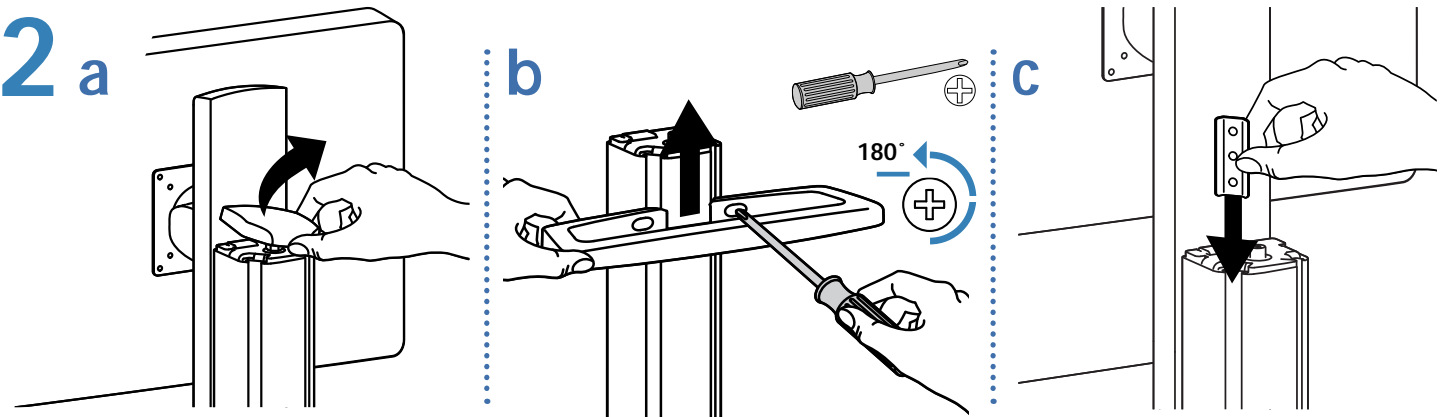
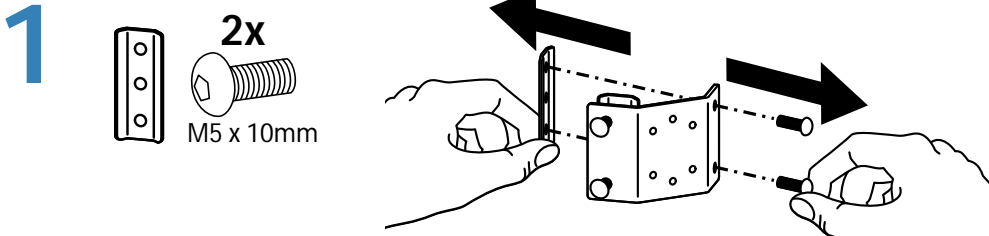
T-Slot Interface Bracket
Soporte de interfaz T-Slot
Applique d'interface à rainure en T
T-Slot Schnittstellenbügel
Aanpassing voor beugel met T-gleuf
Staffa interfaccia T-Slot
 T-スロットインターフェイスブラケット
 T型槽接口托板
 T 슬롯 인터페이스 브래킷



Light Duty T-Slot Bracket



Light Duty T-Slot Bracket
 Soporte T-Slot para pesos ligeros
 Applique à rainure en T pour usage léger
 T-Slot-Bügel für leichte Belastung
 Lichte beugel met T-gleuf
 Staffa T-Slot Light Duty
 ライトデューティー T-スロットブラケット
 轻型T形槽托板
 경량용 T 슬롯 브래킷



© 2007 Ergotron, Inc.
 All rights reserved.

While Ergotron, Inc. makes every effort to provide accurate and complete information on the installation and use of its products, it will not be held liable for any editorial errors or omissions (including those made in the process of translation from English to another language), or for incidental, special or consequential damages of any nature resulting from furnishing this instruction and performance of equipment in connection with this instruction. Ergotron, Inc. reserves the right to make changes in the product design and/or product documentation without notification to its users. For the most current product information, or to know if this document is available in languages other than those herein, please contact Ergotron. No part of this publication may be reproduced, stored in a retrieval system, or transmitted in any form or by any means, electronic, mechanical, photocopying, recording or otherwise without the prior written consent of Ergotron, Inc., 1181 Trapp Road, Eagan, Minnesota, 55121, USA. Patents Pending and Patented U.S. & Foreign. Ergotron is a registered trademark of Ergotron, Inc.

Americas Sales and Corporate Headquarters

St. Paul, MN USA
 (800) 888-8458
 +1-651-681-7600
 www.ergotron.com
 sales@ergotron.com

EMEA Sales

Amersfoort, The Netherlands
 +31 33 45 45 600
 www.ergotron.com
 info.eu@ergotron.com

APAC Sales

Singapore
 www.ergotron.com
 info.apac@ergotron.com

Worldwide OEM Sales

www.ergotron.com
 info.apac@ergotron.com

