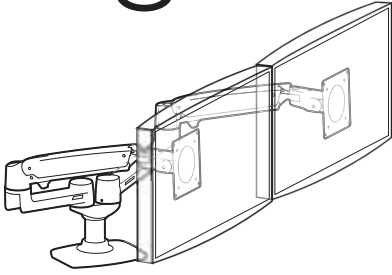
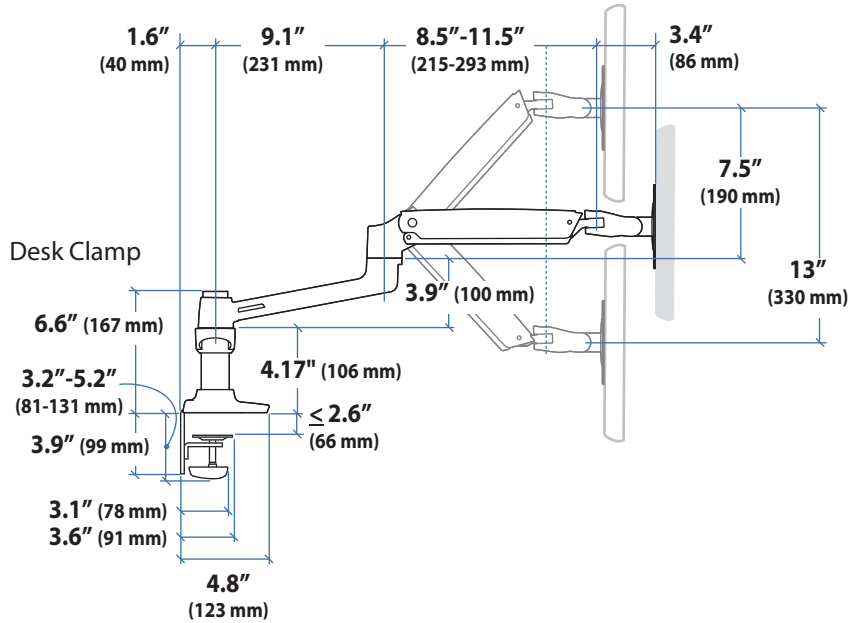


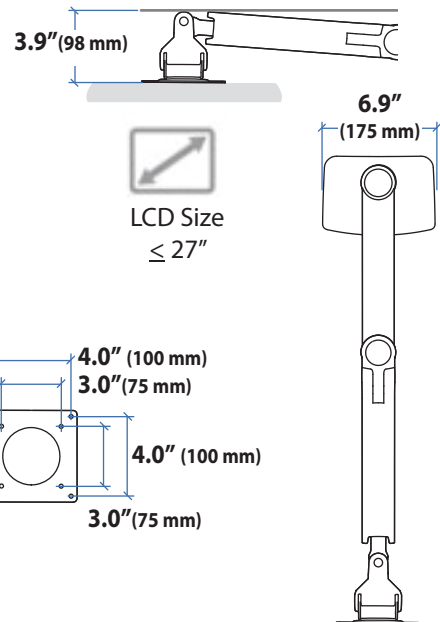
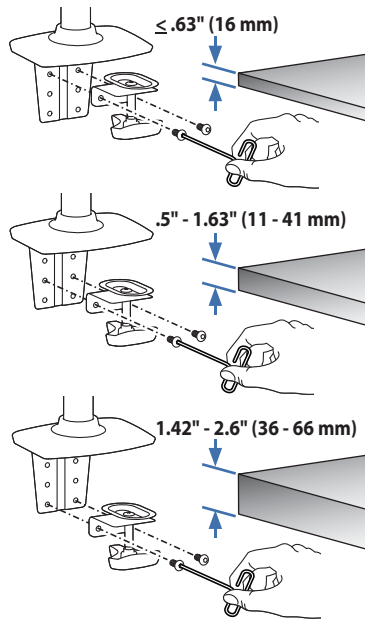
LX Dual Side by Side Arm



Dimensions



Desk Clamp



© 2016 Ergotron, Inc. rev. 12/17/2018 DIM-LXSXSWT Content is subject to change without notification

Americas Sales and Corporate Headquarters

St. Paul, MN USA
 (800) 888-8458
 +1-651-681-7600
 www.ergotron.com
 sales@ergotron.com

EMEA Sales

Amersfoort, The Netherlands
 +31 33 45 45 600
 www.ergotron.com
 info.eu@ergotron.com

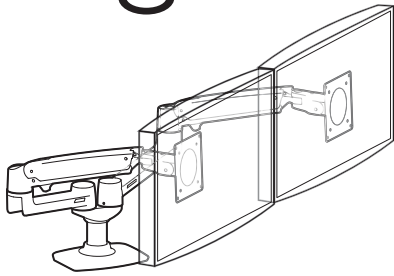
APAC Sales

Tokyo, Japan
 www.ergotron.com
 japansupport@ergotron.com

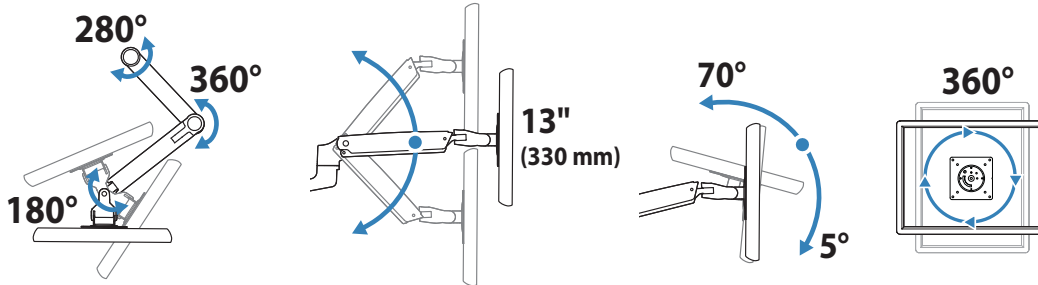
Worldwide OEM Sales

www.ergotron.com
 info.oem@ergotron.com

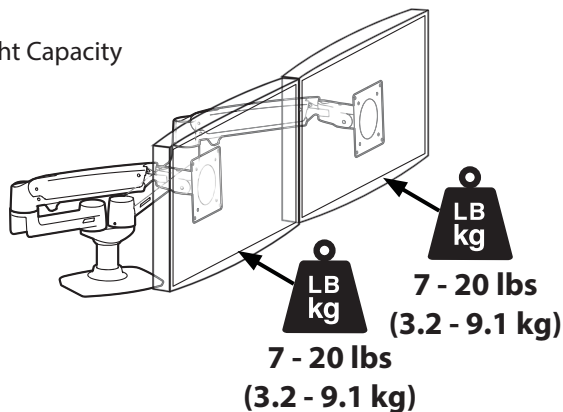
LX Dual Side by Side Arm



Range of Motion



Weight Capacity



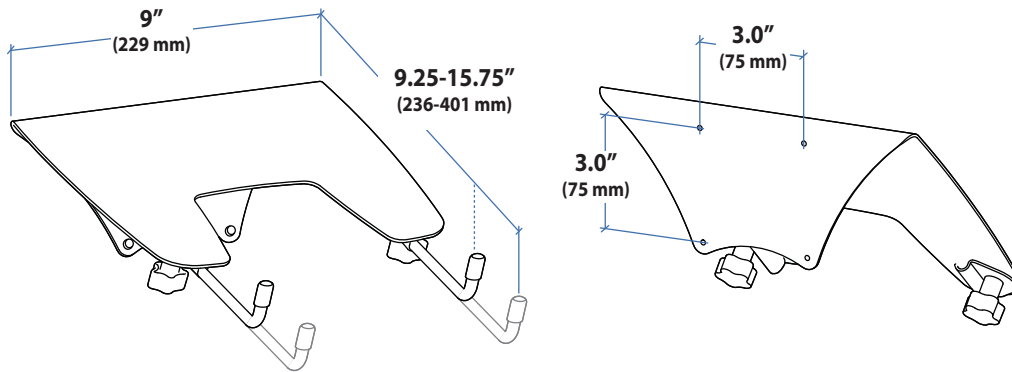
Monitor depth greater than 2.5" (64 mm) may diminish capacity.
Call Ergotron for more information.

Ergotron® LX

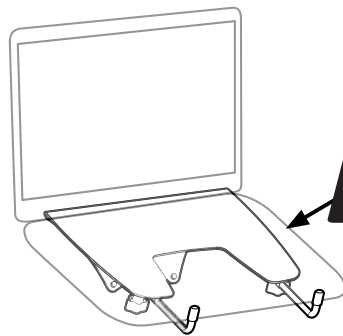
Notebook Tray

Dimensional & Range of Motion Illustrations

Dimensions



Weight Capacity



Weight Capacity: When combined with the LX LCD Arm, the arm will hold notebooks weighing 2.5–12 lbs (1.1–5.4 kg); when combined with other arms or pivots, contact Ergotron regarding load limitations

© 2009 Ergotron, Inc. rev. 10/16/2009 DIM-LXNB Content is subject to change without notification

Americas Sales and Corporate Headquarters

St. Paul, MN USA
(800) 888-8458
+1-651-681-7600
www.ergotron.com
sales@ergotron.com

EMEA Sales

Amersfoort, The Netherlands
+31 33 45 45 600
www.ergotron.com
info.eu@ergotron.com

APAC Sale

Tokyo, Japan
www.ergotron.com
apaccustomerservice@ergotron.com

Worldwide OEM Sales

www.ergotron.com
info.oem@ergotron.com

