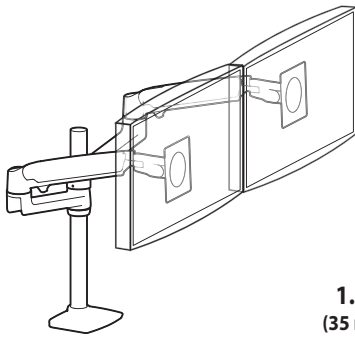
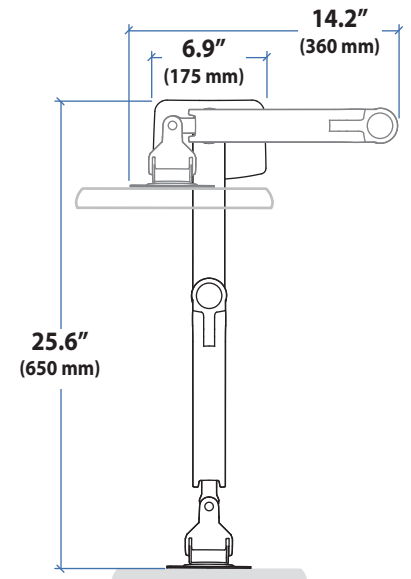
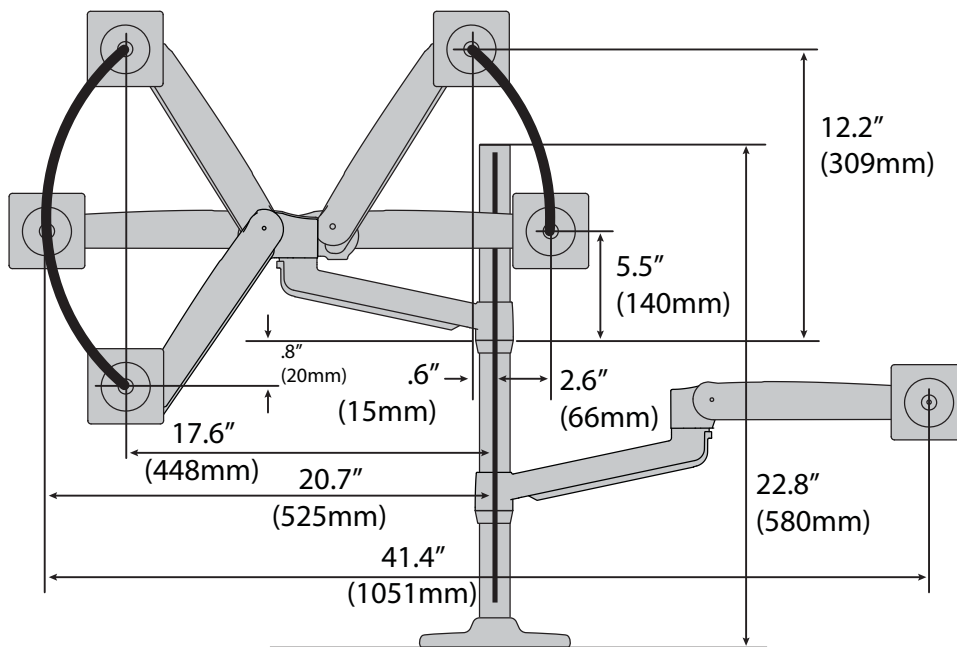
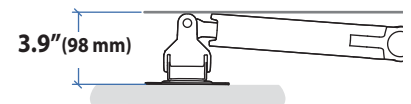
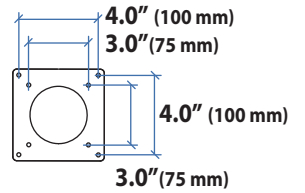
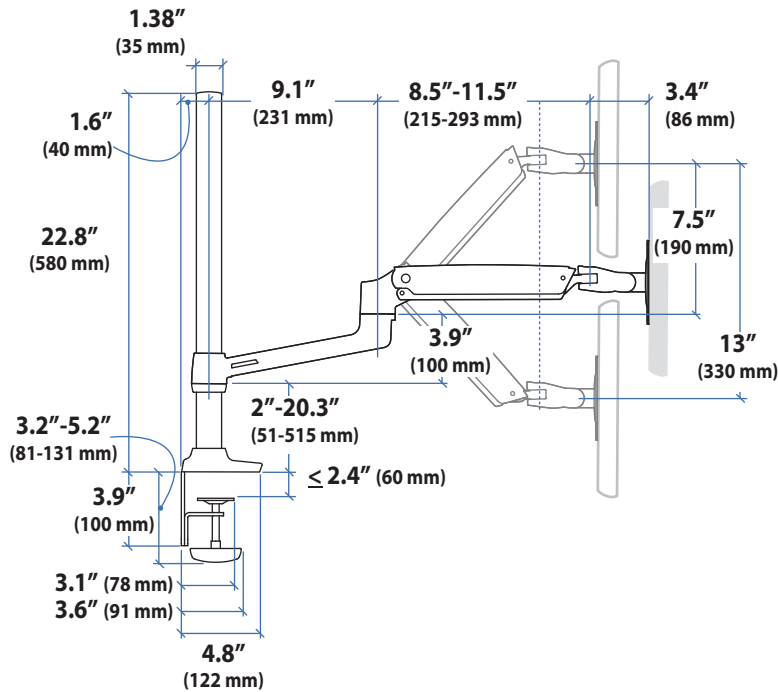


# LX Dual Stacking Arm, Tall Pole



Dimensions

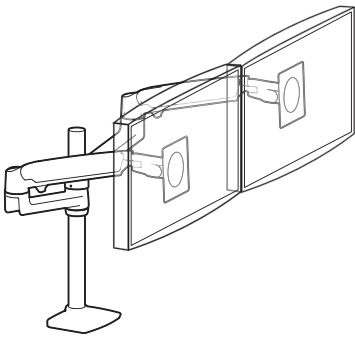


© 2017 Ergotron, Inc. rev. 09/24/2019 DIM-LXdualstacktall Content is subject to change without notification

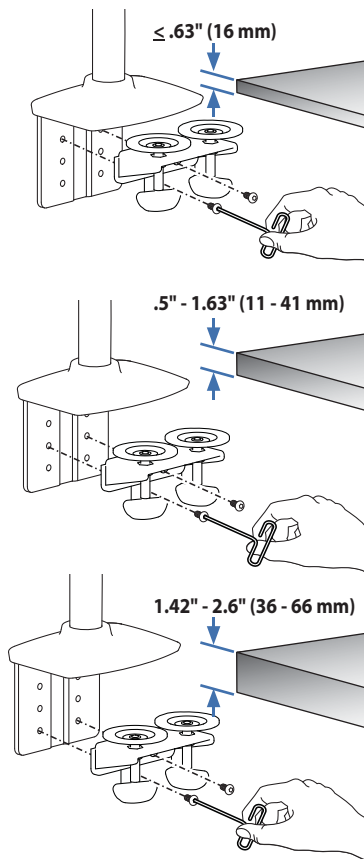
Americas Sales and Corporate Headquarter	EMEA Sales	APAC Sales	Worldwide OEM Sales
St. Paul, MN USA (800) 888-8458 +1-651-681-7600 www.ergotron.com sales@ergotron.com	Amersfoort, The Netherlands +31 33 45 45 600 www.ergotron.com info.eu@ergotron.com	Tokyo, Japan www.ergotron.com apaccustomerservice@ergotron.com	www.ergotron.com info.oem@ergotron.com



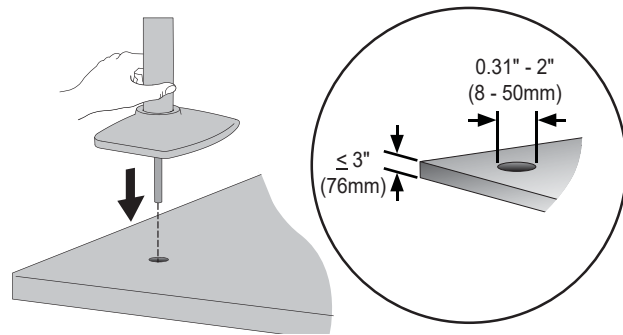
# LX Dual Stacking Arm, Tall Pole



Desk Clamp



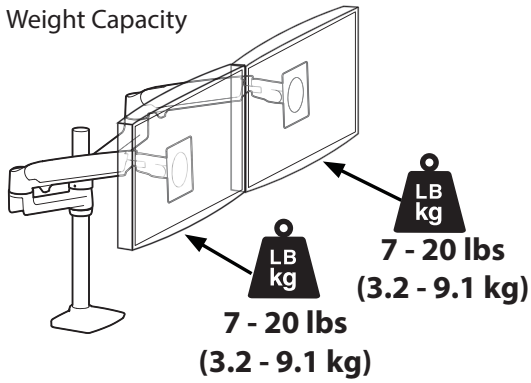
Grommet Mount



© 2017 Ergotron, Inc. rev. 09/24/2019 DIM-LXdualstacktall Content is subject to change without notification

Americas Sales and Corporate Headquarter	EMEA Sales	APAC Sales	Worldwide OEM Sales
St. Paul, MN USA (800) 888-8458 +1-651-681-7600 www.ergotron.com sales@ergotron.com	Amersfoort, The Netherlands +31 33 45 45 600 www.ergotron.com info.eu@ergotron.com	Tokyo, Japan www.ergotron.com apaccustomerservice@ergotron.com	www.ergotron.com info.oem@ergotron.com

Weight Capacity

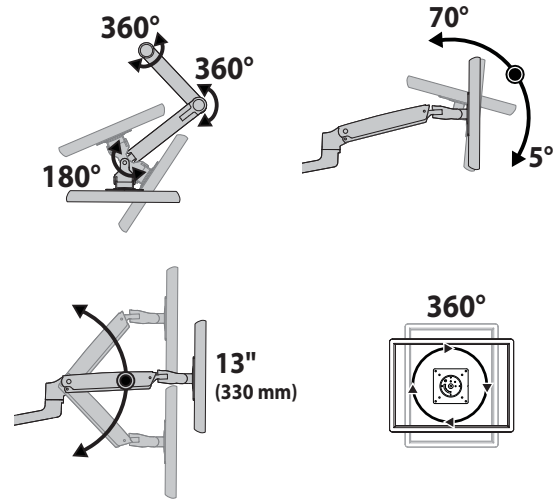


Monitor depth greater than 2.5" (64 mm) may diminish capacity. Call Ergotron for more information.

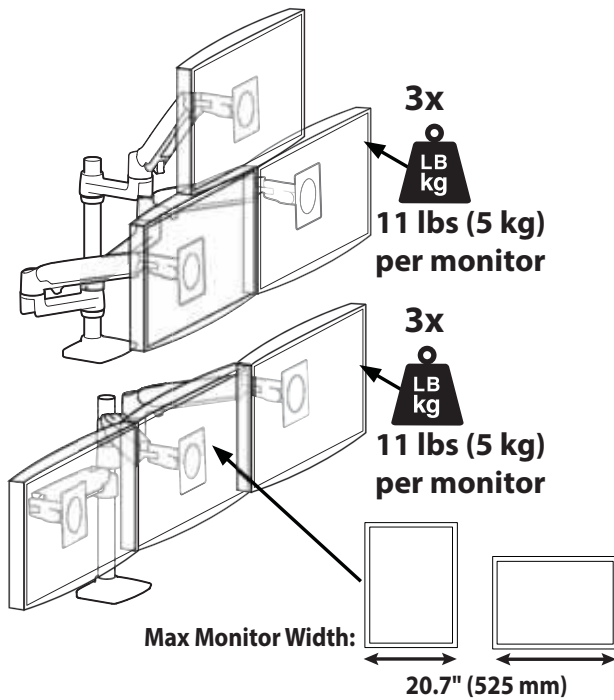
Dimensional Illustrations

# LX Dual Stacking Arm, Tall Pole

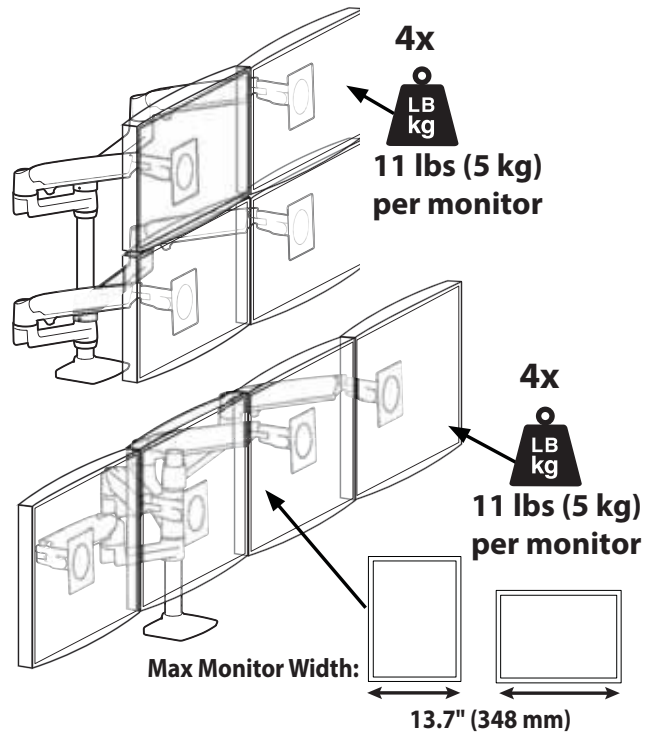
Range of Motion



Can have up to 4 arms on a pole.  
See updated maximum weight capacities:



Maximum monitor width will decrease depending on arm configuration.



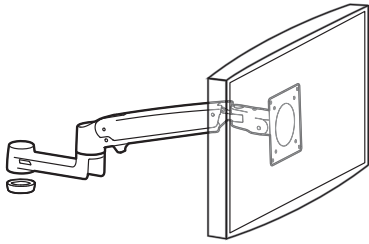
Maximum monitor width will decrease depending on arm configuration.

© 2017 Ergotron, Inc. rev. 09/24/2019 DIM-LXdualstacktall Content is subject to change without notification

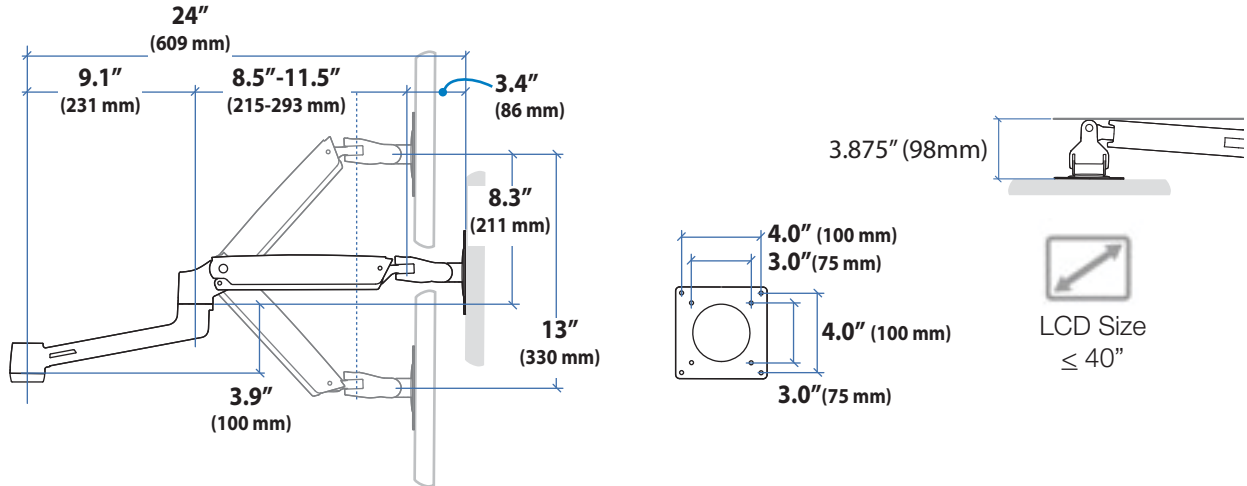
Americas Sales and Corporate Headquarter	EMEA Sales	APAC Sales	Worldwide OEM Sales
St. Paul, MN USA (800) 888-8458 +1-651-681-7600 www.ergotron.com sales@ergotron.com	Amersfoort, The Netherlands +31 33 45 45 600 www.ergotron.com info.eu@ergotron.com	Tokyo, Japan www.ergotron.com apaccustomerservice@ergotron.com	www.ergotron.com info.oem@ergotron.com



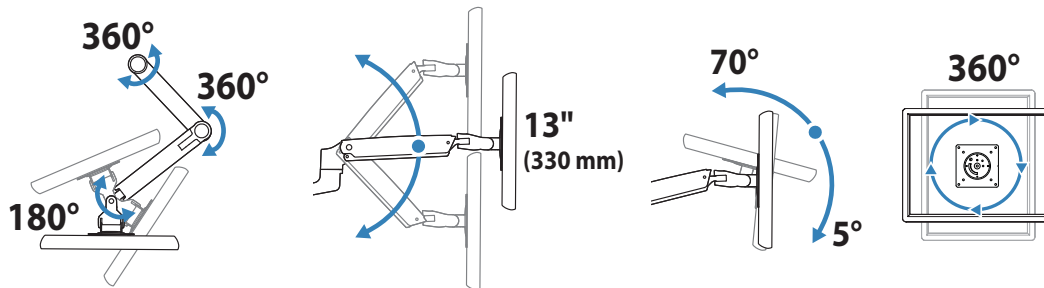
# LX LCD Accessory Arm



## Dimensions



## Range of Motion



© 2016 Ergotron, Inc. rev. 08/03/2017 DIM-ArmExtCollar Content is subject to change without notification

### Americas Sales and Corporate Headquarters

St. Paul, MN USA  
 (800) 888-8458  
 +1-651-681-7600  
 www.ergotron.com  
 sales@ergotron.com

### EMEA Sales

Amersfoort, The Netherlands  
 +31 33 45 45 600  
 www.ergotron.com  
 info.eu@ergotron.com

### APAC Sale

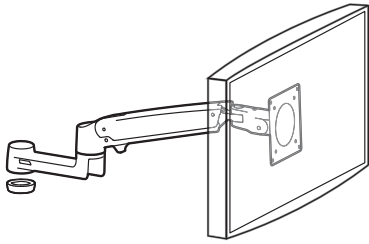
Tokyo, Japan  
 www.ergotron.com  
 apaccustomerservice@ergotron.com

### Worldwide OEM Sales

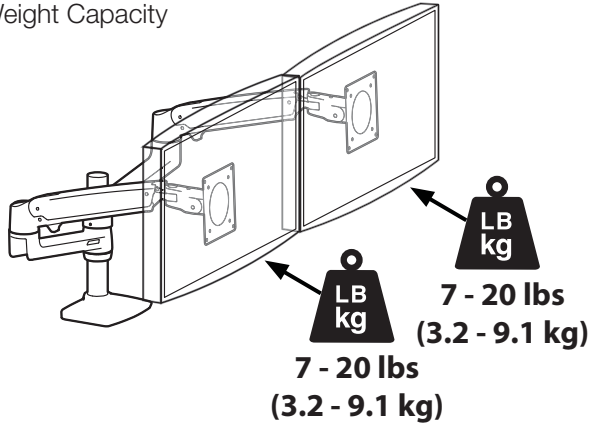
www.ergotron.com  
 info.oem@ergotron.com

**ERGOTRON®**

# LX LCD Accessory Arm

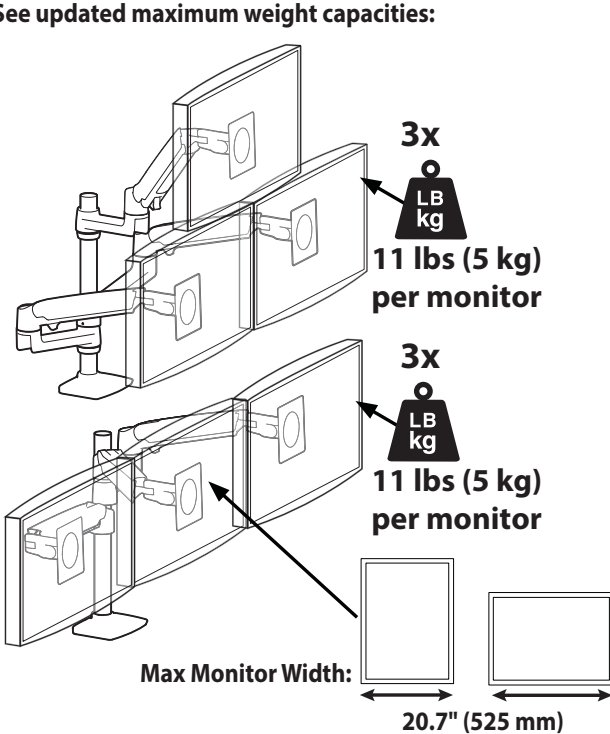


## Weight Capacity

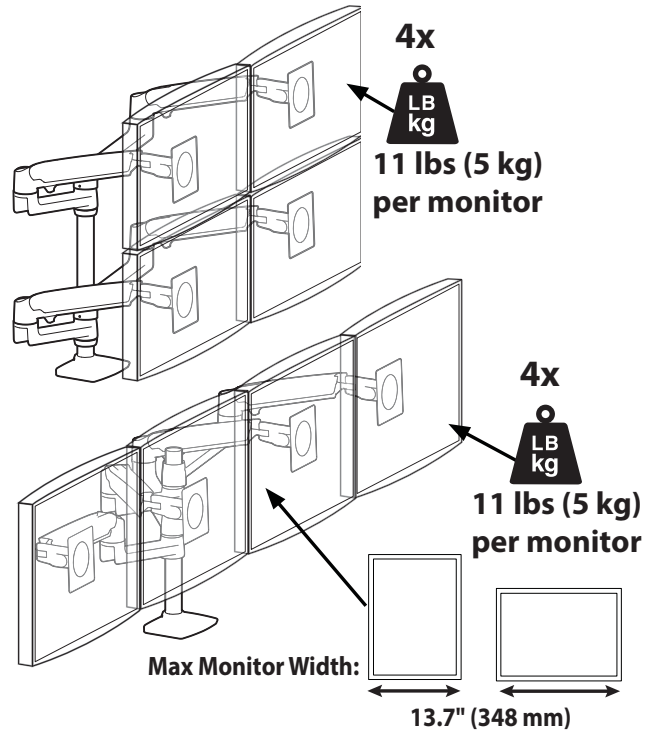


Monitor depth greater than 2.5" (64 mm) may diminish capacity.  
Call Ergotron for more information.

Can have up to 4 arms on a pole when used with the 45-509 LX Dual Stacking Arm, Tall pole  
See updated maximum weight capacities:



Maximum monitor width will decrease depending on arm configuration.



Maximum monitor width will decrease depending on arm configuration.

**Americas Sales and Corporate Headquarters**

St. Paul, MN USA  
(800) 888-8458  
+1-651-681-7600  
www.ergotron.com  
sales@ergotron.com

**EMEA Sales**

Amersfoort, The Netherlands  
+31 33 45 45 600  
www.ergotron.com  
info.eu@ergotron.com

**APAC Sale**

Tokyo, Japan  
www.ergotron.com  
apaccustomerservice@ergotron.com

**Worldwide OEM Sales**

www.ergotron.com  
info.oem@ergotron.com