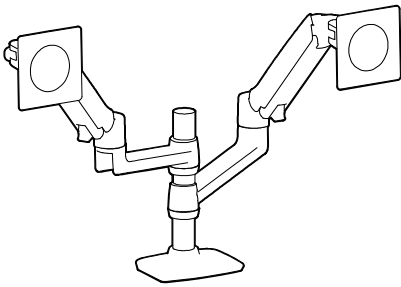
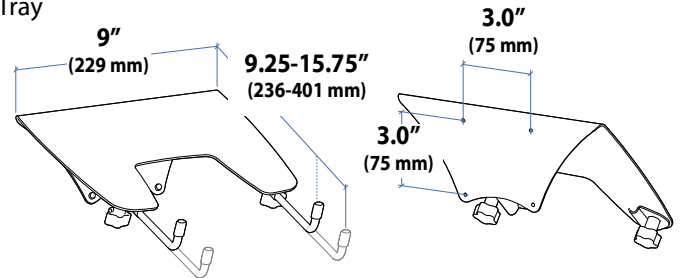


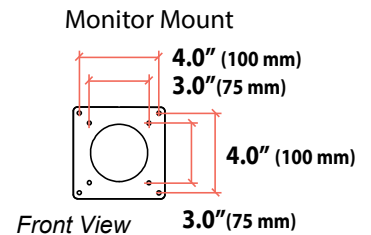
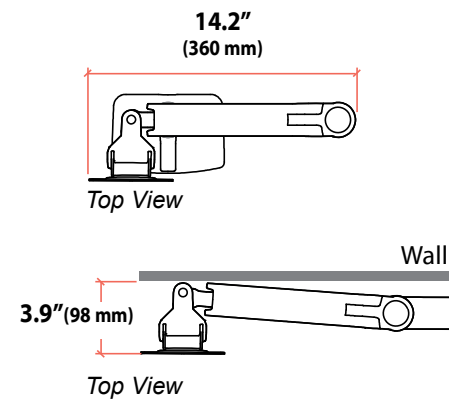
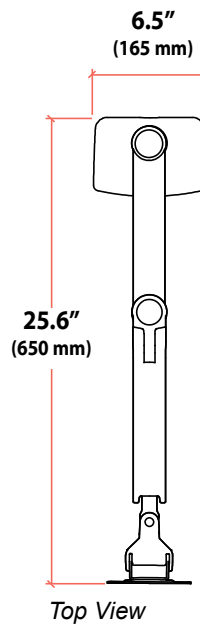
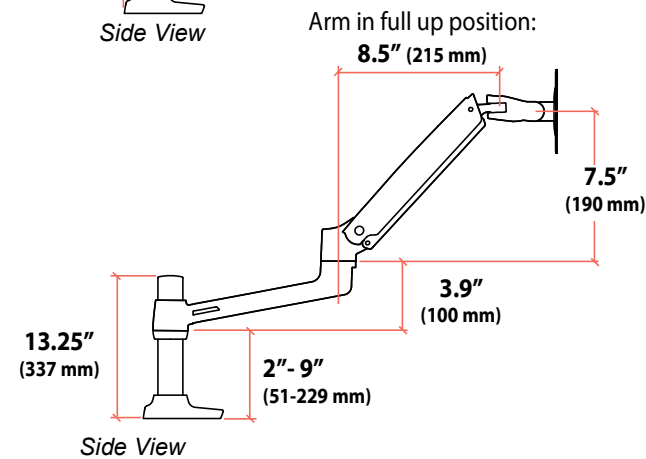
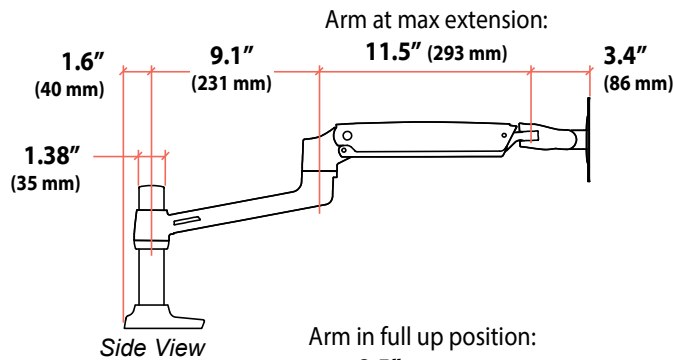
## LX Dual Stacking Arm



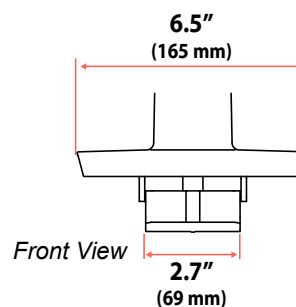
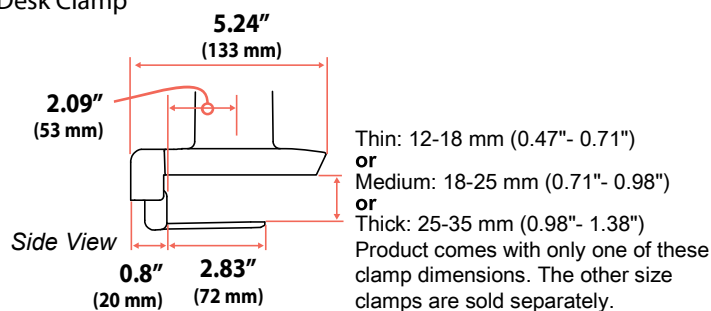
Laptop Tray



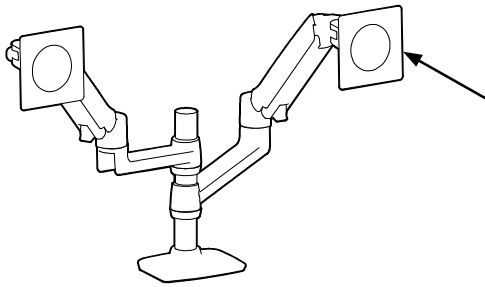
### Dimensions



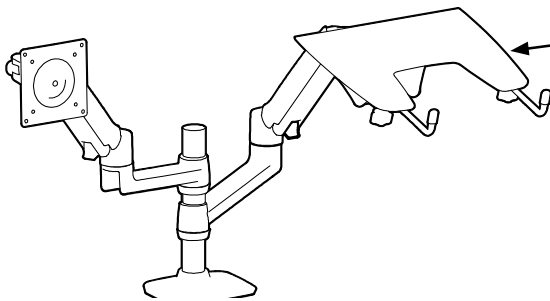
### Desk Clamp



## LX Dual Stacking Arm



Weight Capacity per Monitor  
7 - 20 lbs (3.2 - 9.1 kg)  
Monitor depth greater than 2.5" (64 mm) may diminish capacity.  
Call Ergotron for more information.



Weight Capacity for Laptop Tray  
0.5 - 12 lbs (0.23 - 5.4 kg)

### Range of Motion

