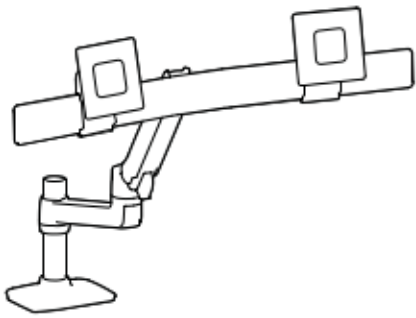
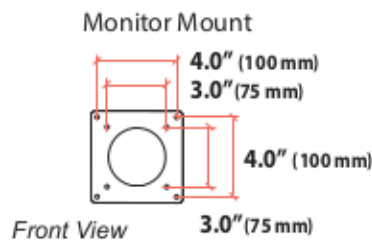
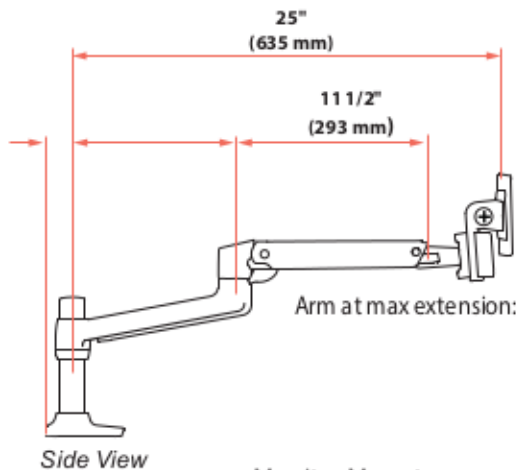
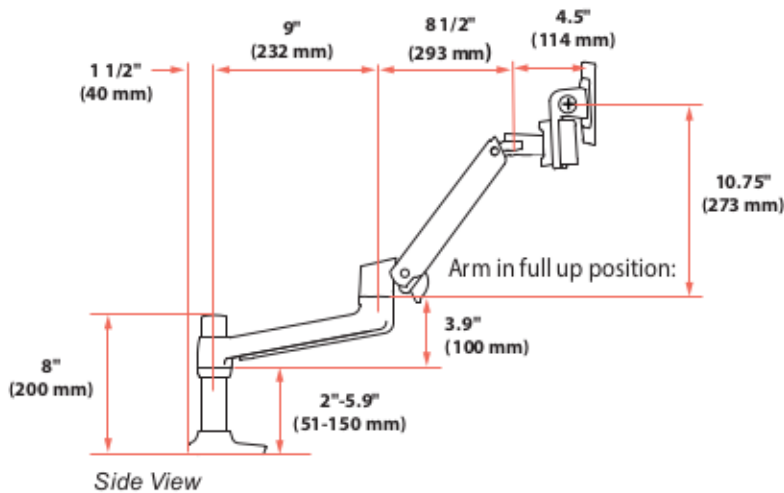


LX Desk Dual Direct Arm



Dimensions



© 2016 Ergotron, Inc. rev. 03/12/2020 DIM-LXDualBow Content is subject to change without notification

Americas Sales and Corporate Headquarter

EMEA Sales

APAC Sales

Worldwide OEM Sales

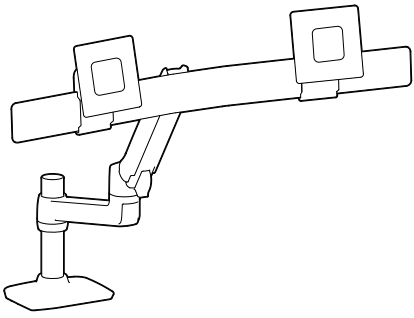
St. Paul, MN USA
(800) 888-8458
+1-651-681-7600
www.ergotron.com
insidesales@ergotron.com

Amersfoort, The Netherlands
+31 33 45 45 600
www.ergotron.com
info.eu@ergotron.com

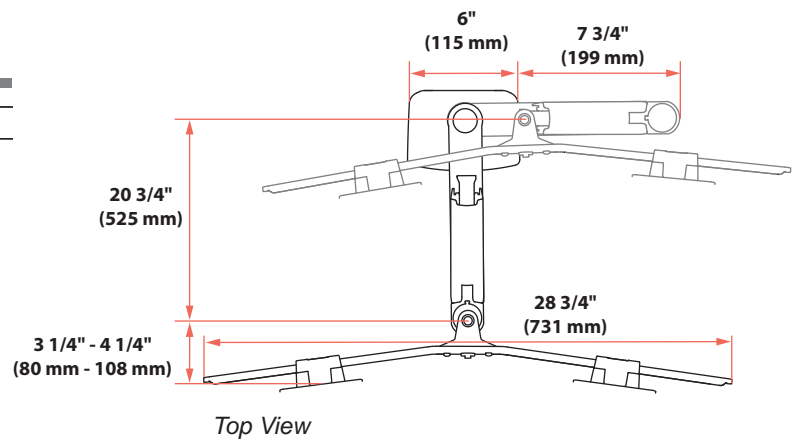
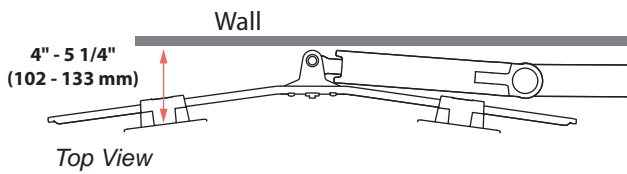
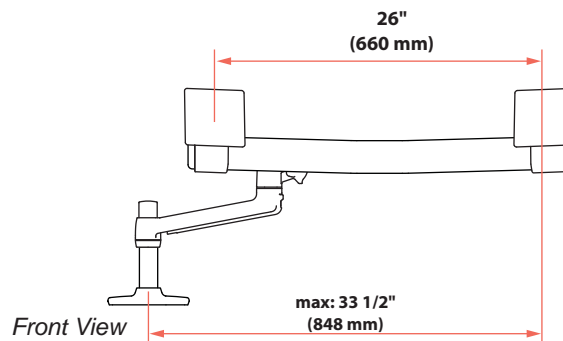
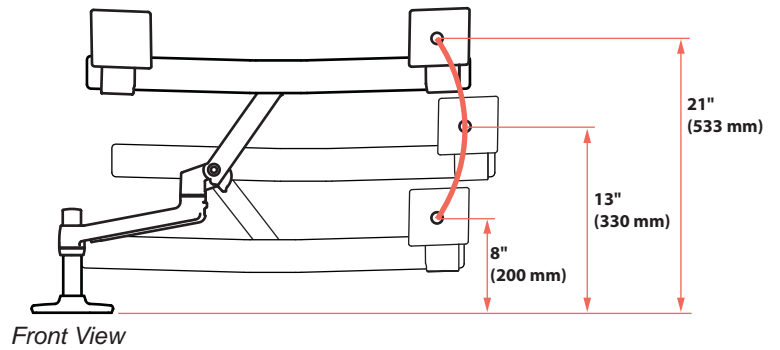
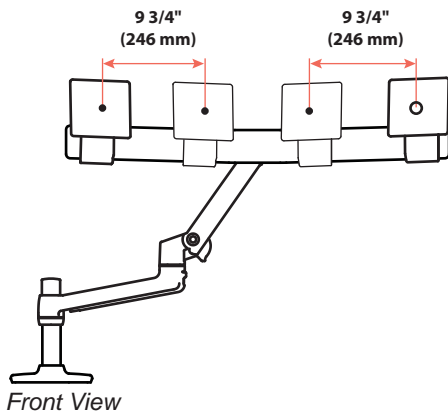
Sydney, Australia
www.ergotron.com
apaccustomerservice@ergotron.com

www.ergotron.com
info.oem@ergotron.com

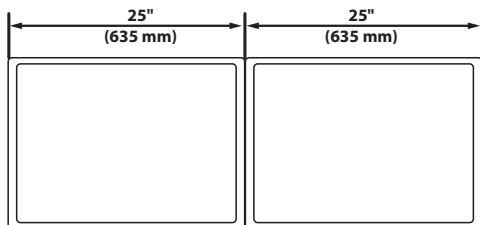
LX Desk Dual Direct Arm



Dimensions



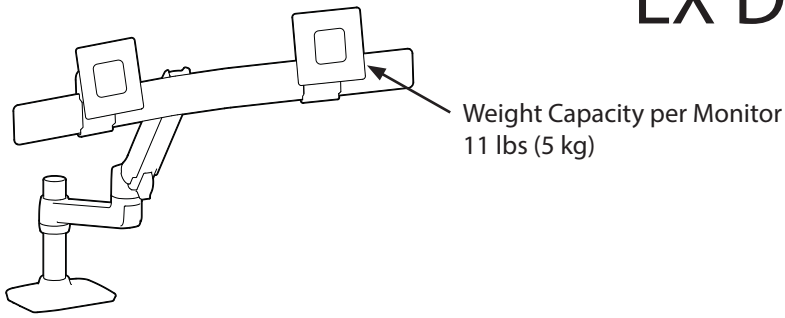
Max Monitor Size



Front View

If your monitor thickness is ≤ 1 3/4" then the maximum monitor width is 25"
 If your monitor thickness is between 1 3/4" and 2 1/2" then the maximum monitor width is 24 3/4"

LX Desk Dual Direct Arm



Range of Motion

