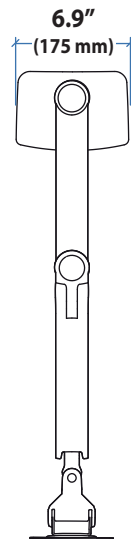
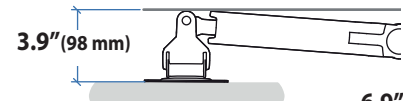
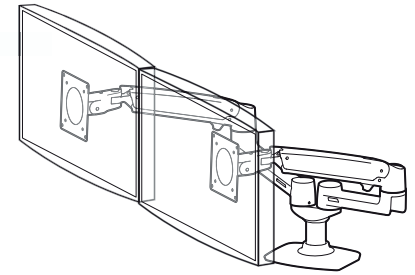
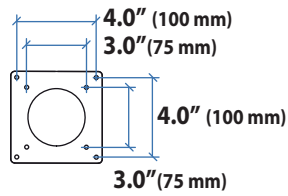
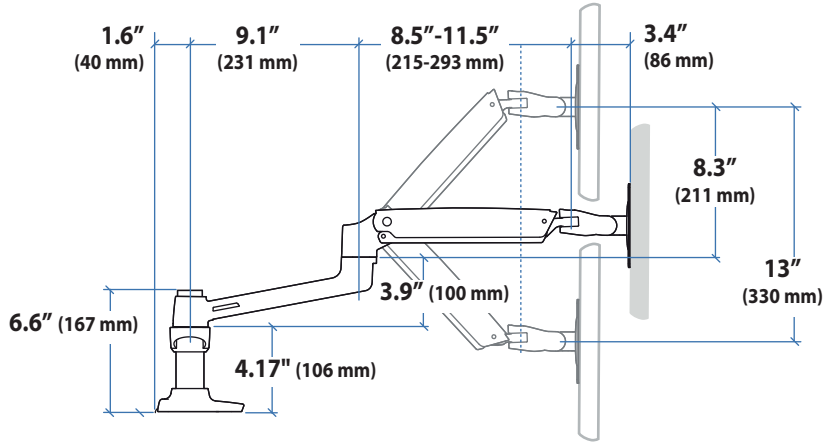


Ergotron® LX

Dual Side by Side Arm

Dimensional & Range of Motion Illustrations

Dimensions



Americas Sales and
Corporate Headquarters

EMEA Sales

APAC Sale

Worldwide OEM Sales

St. Paul, MN USA
(800) 888-8458
+1-651-681-7600
www.ergotron.com
sales@ergotron.com

Amersfoort, The Netherlands
+31 33 45 45 600
www.ergotron.com
info.eu@ergotron.com

Tokyo, Japan
www.ergotron.com
apaccustomerservice@ergotron.com

www.ergotron.com
info.oem@ergotron.com

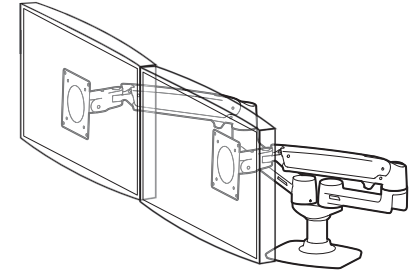
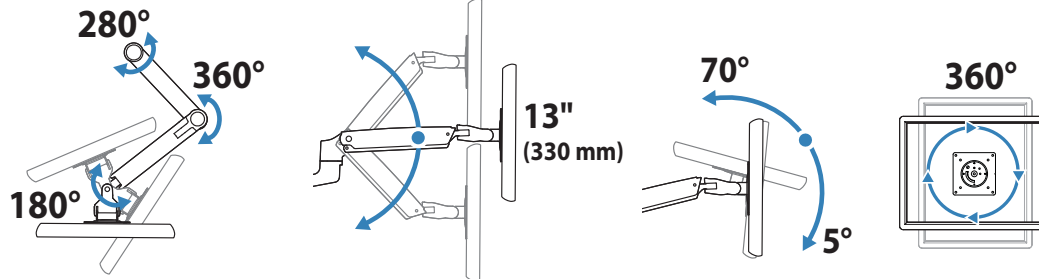


Ergotron® LX

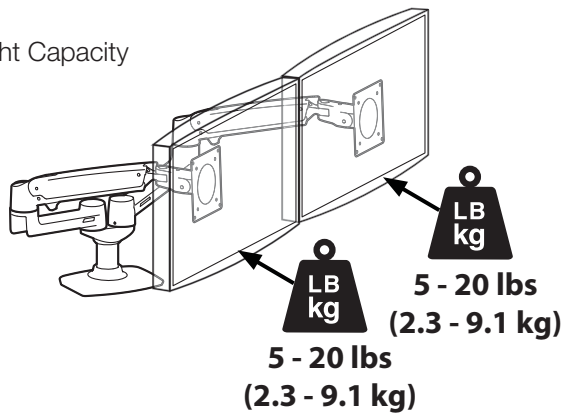
Dual Side by Side Arm

Dimensional &
Range of Motion
Illustrations

Range of Motion



Weight Capacity



Monitor depth greater than 2.5" (64 mm) may diminish capacity.
Call Ergotron for more information.

© 2016 Ergotron, Inc. rev. 05/12/2016 DIMLXSxSWt Content is subject to change without notification

Americas Sales and Corporate Headquarters

St. Paul, MN USA
(800) 888-8458
+1-651-681-7600
www.ergotron.com
sales@ergotron.com

EMEA Sales

Amersfoort, The Netherlands
+31 33 45 45 600
www.ergotron.com
info.eu@ergotron.com

APAC Sale

Tokyo, Japan
www.ergotron.com
apaccustomerservice@ergotron.com

Worldwide OEM Sales

www.ergotron.com
info.oem@ergotron.com

