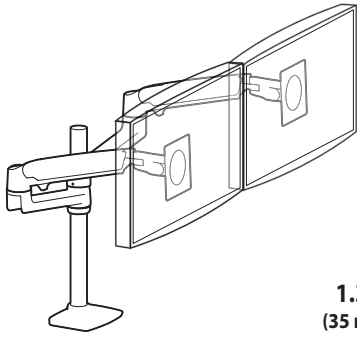
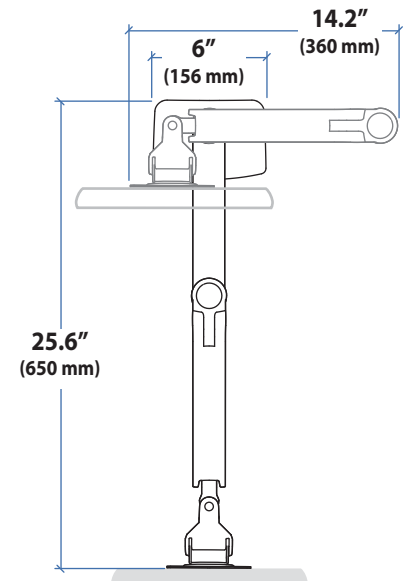
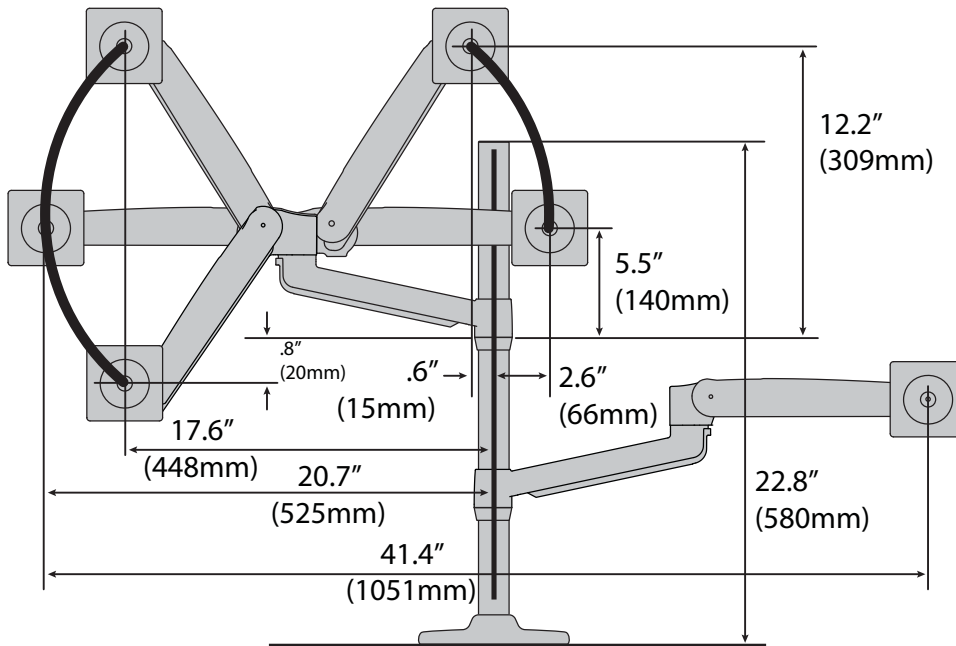
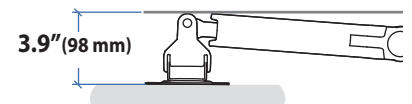
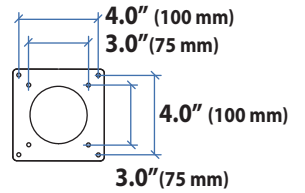
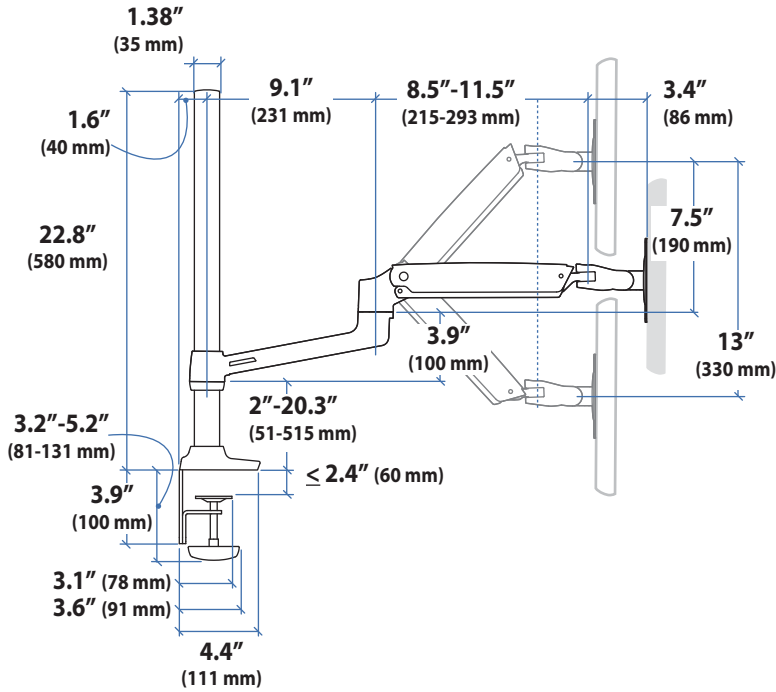


# LX Dual Stacking Arm, Tall Pole



Dimensions



© 2017 Ergotron, Inc. rev. 12/13/2018 DIM-LXDUALSTACKTALL Content is subject to change without notification

**Americas Sales and Corporate Headquarters**

St. Paul, MN USA  
 (800) 888-8458  
 +1-651-681-7600  
 www.ergotron.com  
 sales@ergotron.com

**EMEA Sales**

Amersfoort, The Netherlands  
 +31 33 45 45 600  
 www.ergotron.com  
 info.eu@ergotron.com

**APAC Sales**

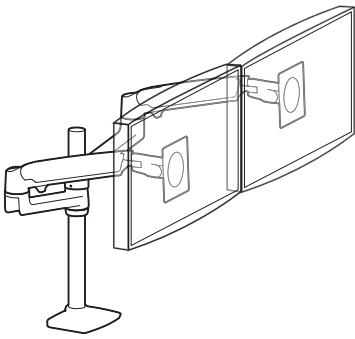
Tokyo, Japan  
 www.ergotron.com  
 japansupport@ergotron.com

**Worldwide OEM Sales**

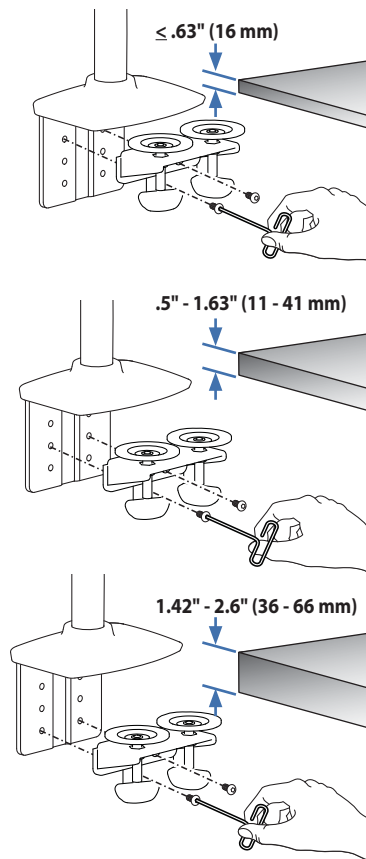
www.ergotron.com  
 info.oem@ergotron.com



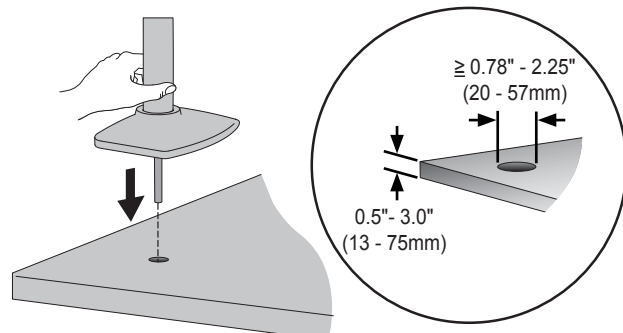
# LX Dual Stacking Arm, Tall Pole



Desk Clamp



Grommet Mount



© 2017 Ergotron, Inc. rev. 12/13/2018 DIM-LXDUALSTACKTALL Content is subject to change without notification

**Americas Sales and Corporate Headquarters**

St. Paul, MN USA  
 (800) 888-8458  
 +1-651-681-7600  
[www.ergotron.com](http://www.ergotron.com)  
[sales@ergotron.com](mailto:sales@ergotron.com)

**EMEA Sales**

Amersfoort, The Netherlands  
 +31 33 45 45 600  
[www.ergotron.com](http://www.ergotron.com)  
[info.eu@ergotron.com](mailto:info.eu@ergotron.com)

**APAC Sales**

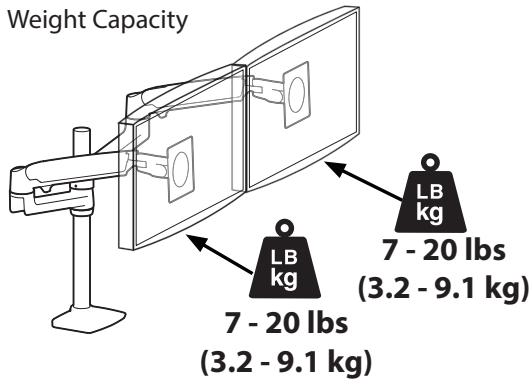
Tokyo, Japan  
[www.ergotron.com](http://www.ergotron.com)  
[japansupport@ergotron.com](mailto:japansupport@ergotron.com)

**Worldwide OEM Sales**

[www.ergotron.com](http://www.ergotron.com)  
[info.oem@ergotron.com](mailto:info.oem@ergotron.com)



Weight Capacity

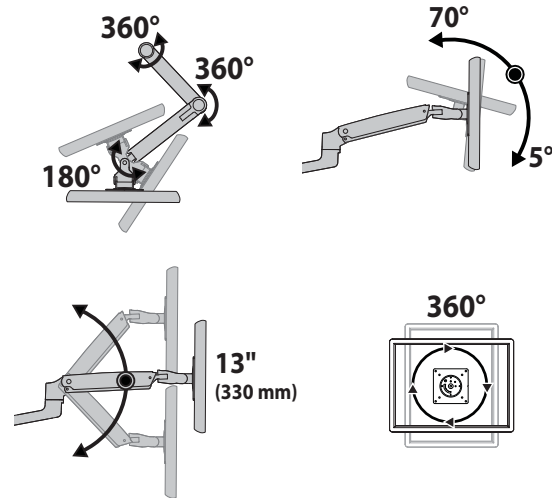


Monitor depth greater than 2.5" (64 mm) may diminish capacity. Call Ergotron for more information.

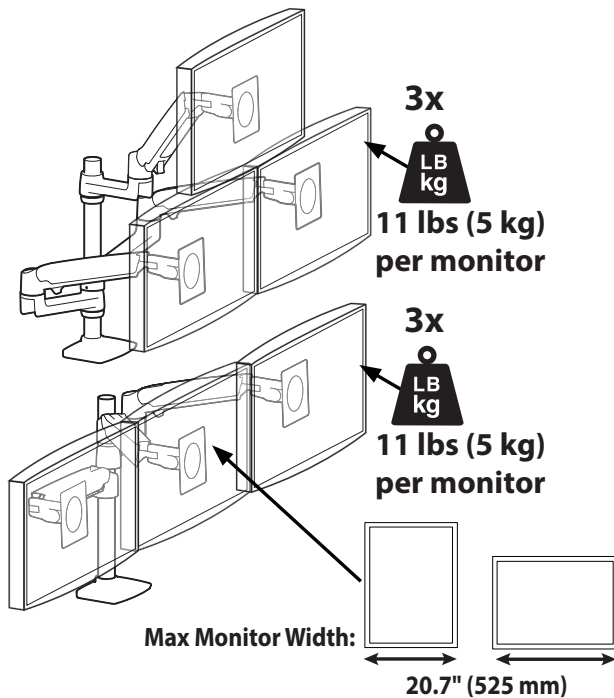
Dimensional Illustrations

# LX Dual Stacking Arm, Tall Pole

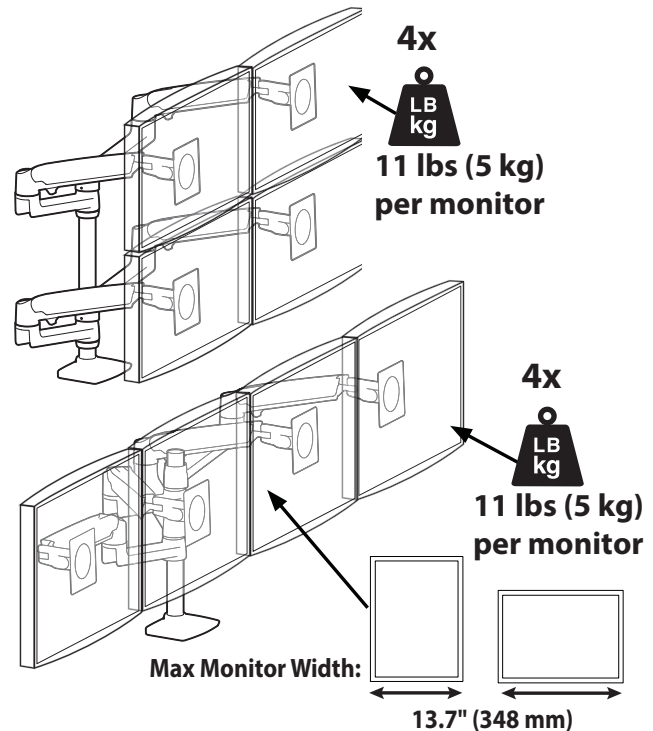
Range of Motion



Can have up to 4 arms on a pole.  
See updated maximum weight capacities:



Maximum monitor width will decrease depending on arm configuration.



Maximum monitor width will decrease depending on arm configuration.

© 2017 Ergotron, Inc. rev. 12/13/2018 DIM-LXDUALSTACKTALL Content is subject to change without notification

**Americas Sales and Corporate Headquarters**

St. Paul, MN USA  
(800) 888-8458  
+1-651-681-7600  
www.ergotron.com  
sales@ergotron.com

**EMEA Sales**

Amersfoort, The Netherlands  
+31 33 45 45 600  
www.ergotron.com  
info.eu@ergotron.com

**APAC Sales**

Tokyo, Japan  
www.ergotron.com  
japansupport@ergotron.com

**Worldwide OEM Sales**

www.ergotron.com  
info.oem@ergotron.com

