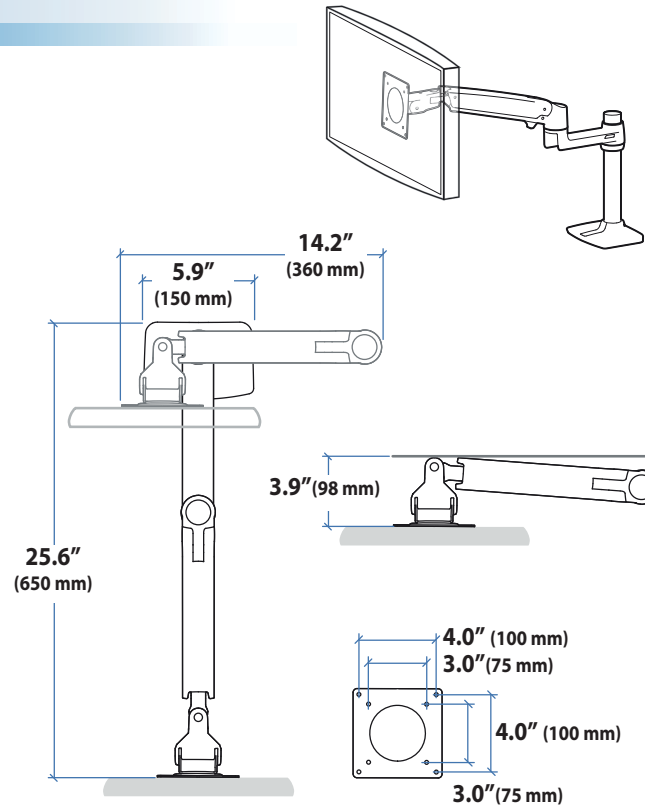
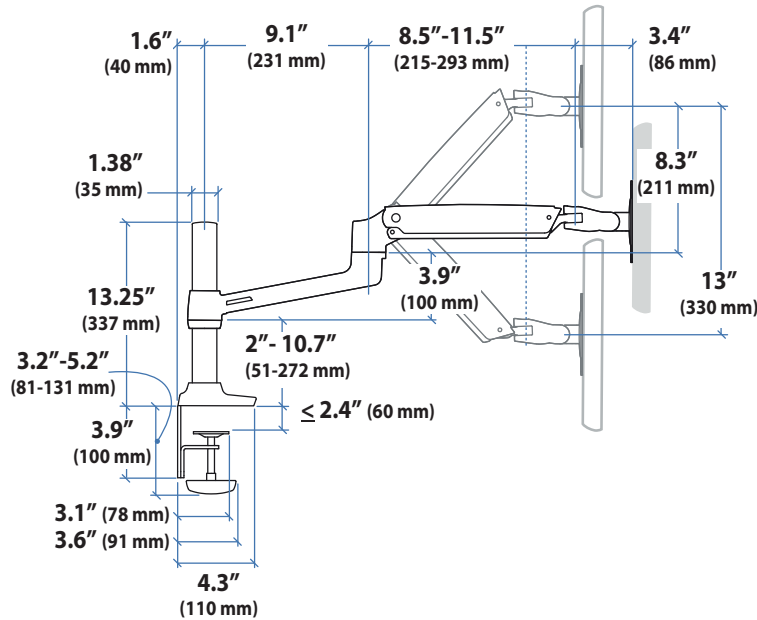


# Ergotron® LX

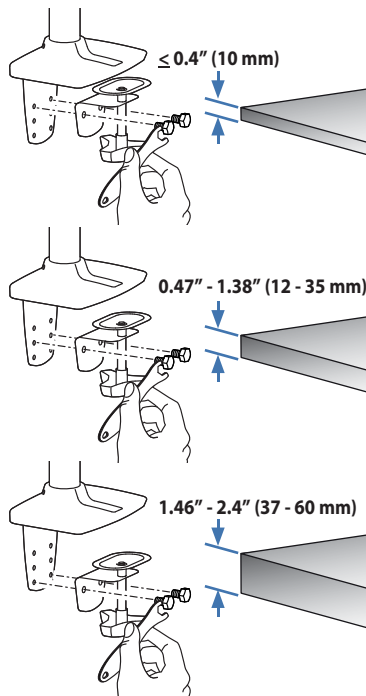
## Desk Mount LCD Arm

### Dimensional & Range of Motion Illustrations

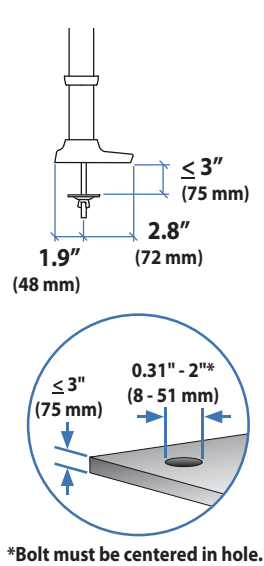
#### Dimensions



#### Desk Clamp



#### Grommet Mount



© 2012 Ergotron, Inc. rev. 09/04/2012 DIM-056-TallPole Content is subject to change without notification

#### Americas Sales and Corporate Headquarters

St. Paul, MN USA  
 (800) 888-8458  
 +1-651-681-7600  
 www.ergotron.com  
 sales@ergotron.com

#### EMEA Sales

Amersfoort, The Netherlands  
 +31 33 45 45 600  
 www.ergotron.com  
 info.eu@ergotron.com

#### APAC Sale

Tokyo, Japan  
 www.ergotron.com  
 apaccustomerservice@ergotron.com

#### Worldwide OEM Sales

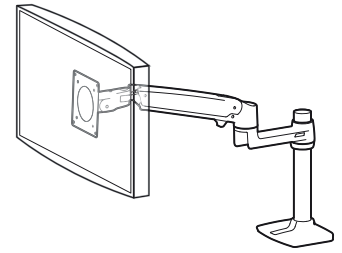
www.ergotron.com  
 info.oem@ergotron.com



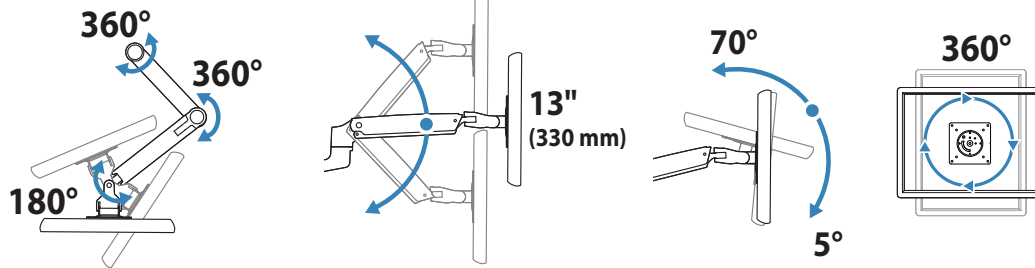
# Ergotron® LX

## Desk Mount LCD Arm

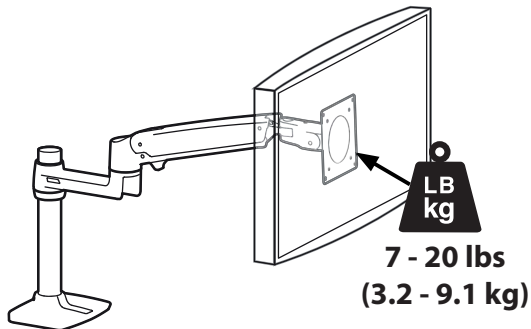
### Dimensional & Range of Motion Illustrations



#### Range of Motion



#### Weight Capacity



Monitor depth greater than 2.5" (64 mm) may diminish capacity. Call Ergotron for more information.

© 2012 Ergotron, Inc. rev. 09/04/2012 DIM-056-TallPole Content is subject to change without notification

Americas Sales and Corporate Headquarters	EMEA Sales	APAC Sale	Worldwide OEM Sales
St. Paul, MN USA (800) 888-8458 +1-651-681-7600 www.ergotron.com sales@ergotron.com	Amersfoort, The Netherlands +31 33 45 45 600 www.ergotron.com info.eu@ergotron.com	Tokyo, Japan www.ergotron.com apaccustomerservice@ergotron.com	www.ergotron.com info.oem@ergotron.com

