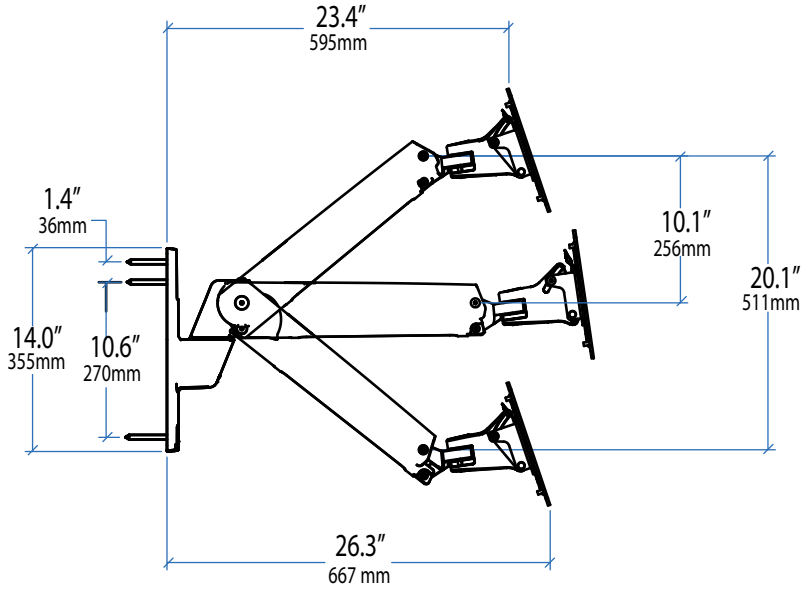




Interactive Arm VHD

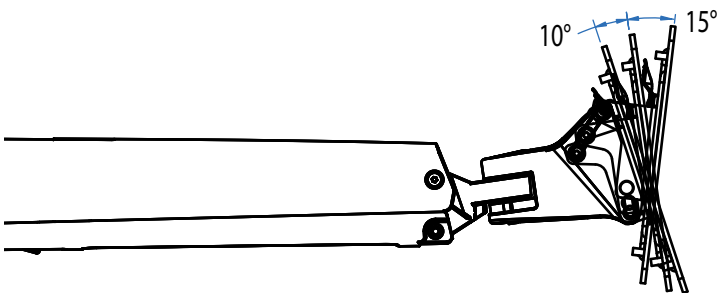
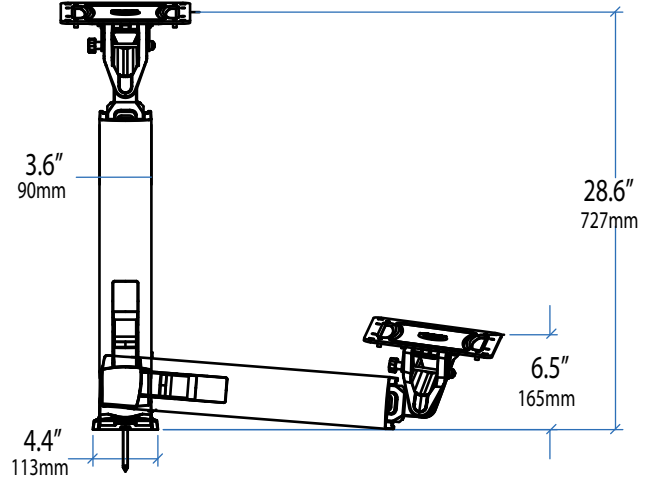
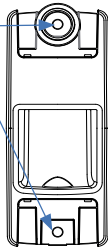
Dimensional & Range of Motion Illustrations

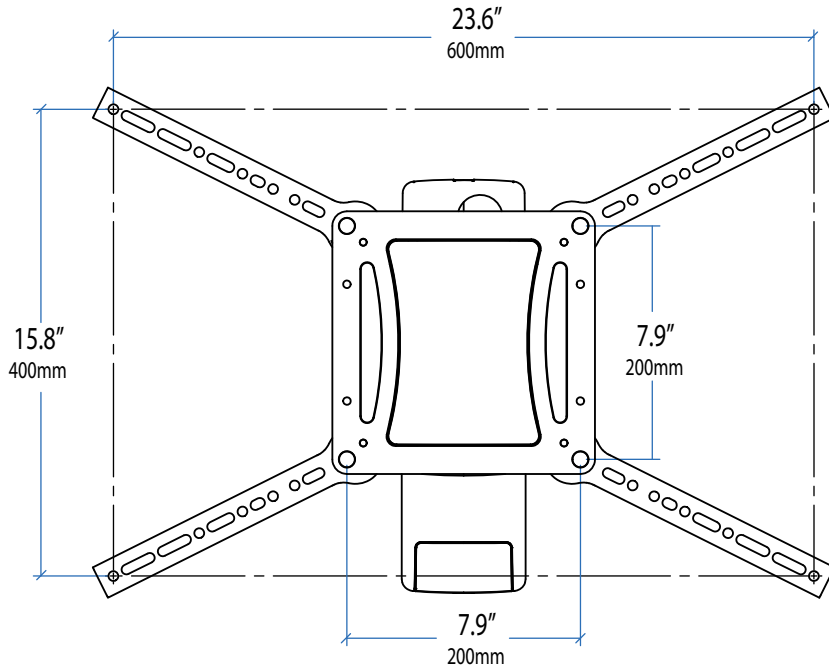
Dimensions



Wall Mount Bracket

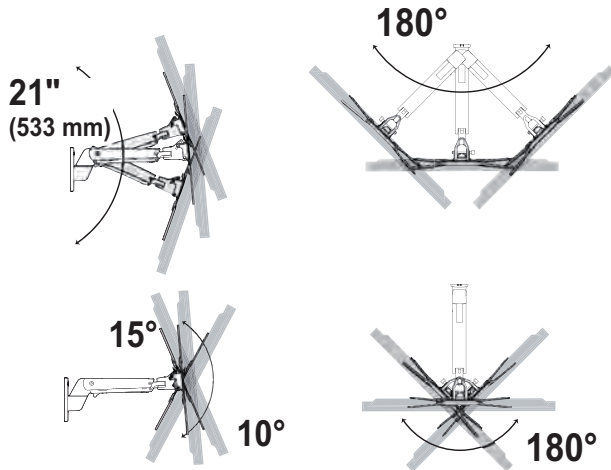
Stud mounting:
M8 x 80mm or 5/16" x 3" and
flat washer 8mm or 5/16" (2
places)



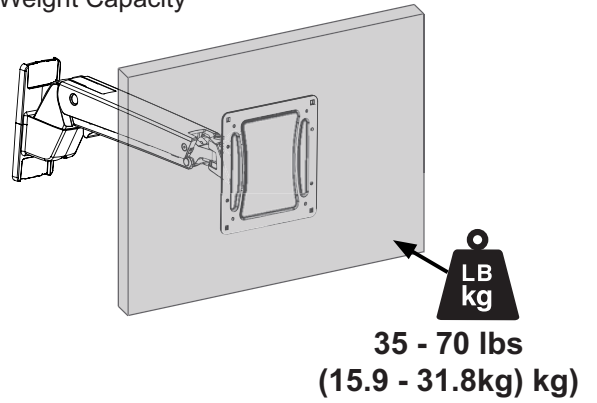


VESA

Range of Motion



Weight Capacity



© 2012 Ergotron, Inc. rev. 07/16/2012 DIM-INTRATV, VHD
 Content is subject to change without notification

Americas Sales and Corporate Headquarters
 St. Paul, MN USA
 (800) 888-8458
 +1-651-681-7600
 www.ergotron.com
 sales@ergotron.com

EMEA Sales
 Amersfoort, The Netherlands
 +31 33 45 45 600
 www.ergotron.com
 info.eu@ergotron.com

APAC Sale
 Tokyo, Japan
 www.ergotron.com
 apaccustomerservice@ergotron.com

Worldwide OEM Sales
 www.ergotron.com
 info.oem@ergotron.com