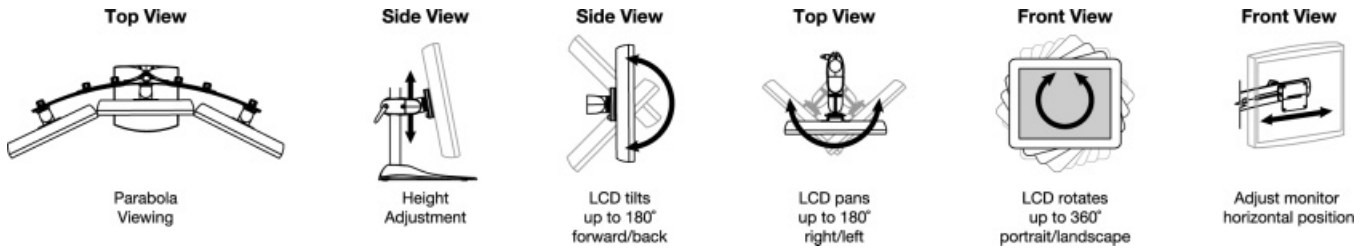
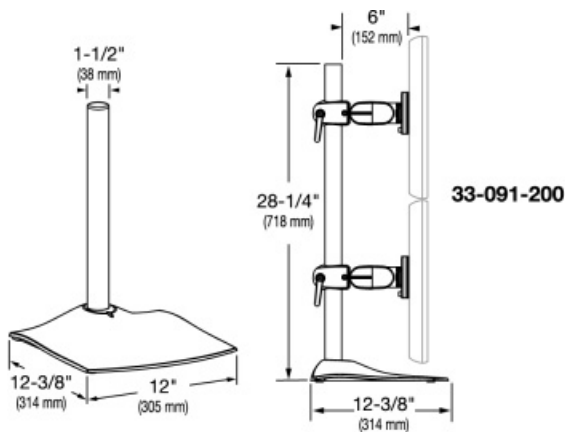


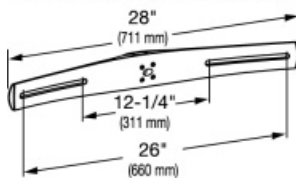
space-saving desk stands



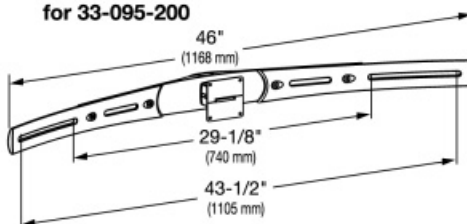
DS100 SERIES



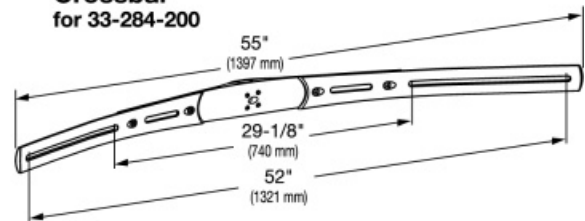
Crossbar for 33-092-200 & 33-096-200



Crossbar for 33-095-200



Crossbar for 33-284-200



Attention:

Listed allowable widths assume monitor thickness is 4" (102 mm). If monitor thickness is less, allowable width may be more. Contact Ergotron for details.

Available Monitor Widths* Using Crossbars

Number of Monitors (Horizontal Crossbar)	Sliding Pivots Allowable Monitor Width*
Dual-Monitor (28" Crossbar)	23-1/4" (590 mm)
Triple-Monitor (46" Crossbar)	20" (508 mm)
Quad-Monitor (55" Crossbar)	16" (406 mm)

* Width refers to monitor's physical outside dimension – not screen size.