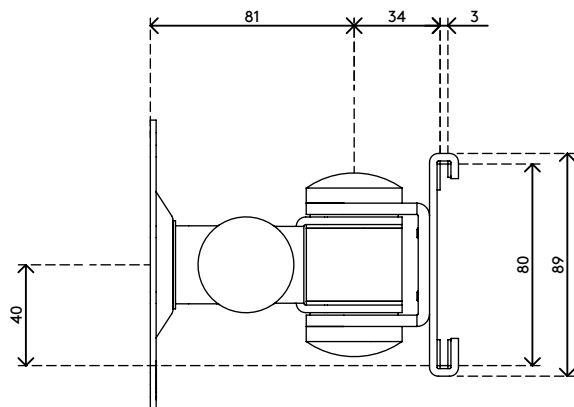
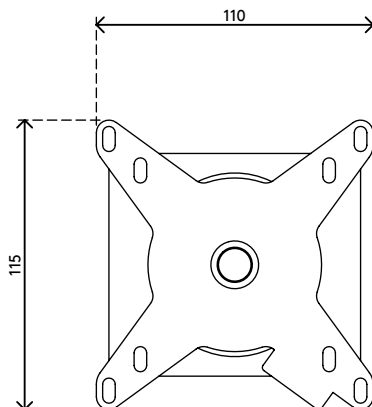
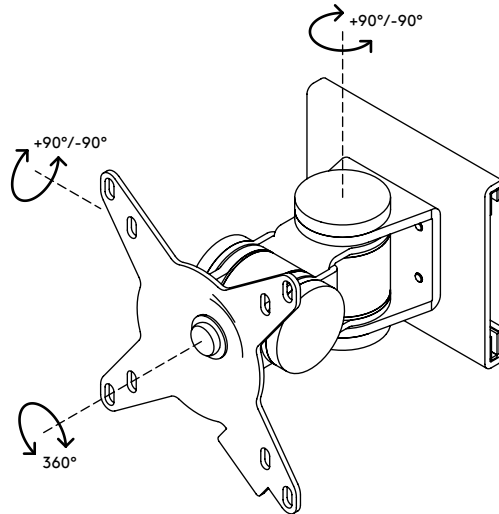
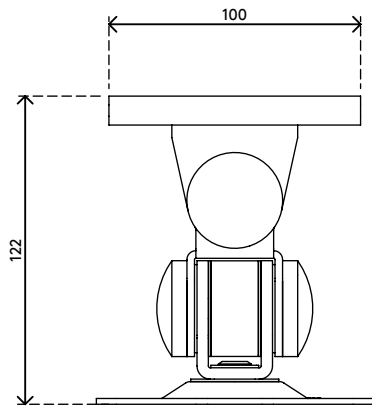
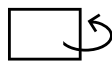


# viewmate <sup>x</sup>



+90°/-90°



+90°/-90°



360°



75 x 75/100 x 100



15 kg

## Viewmate Monitorarm - Schienensystem 132

2019/06/24


# 52.132

 140 x 140 x 170 mm

 1 pcs

 silber

 1,3 kg

 805410521325