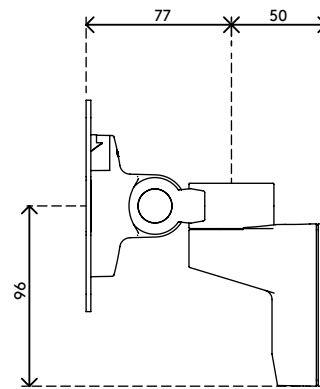
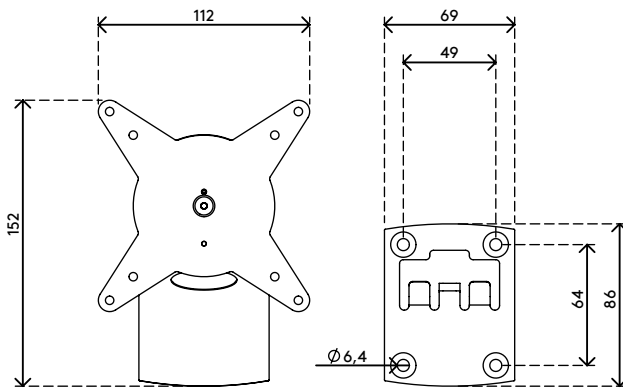
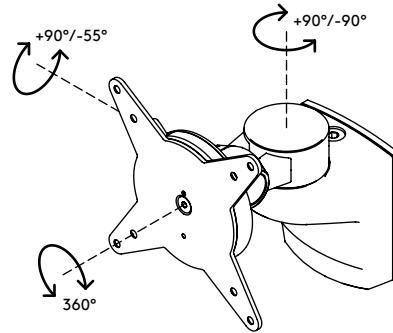
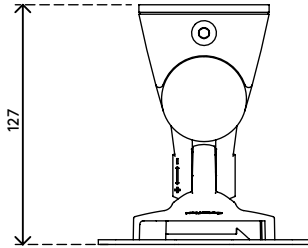
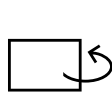


viewlite



+90°/-55°



+90°/-90°



360°



75 x 75/100 x 100




8 kg

Viewlite Monitorarm - Wand 202

2019/06/24


58.202

 212 x 181 x 128 mm

 1 pcs

 silber-Weiß

 1,214 kg

 805410582029