

addit^x

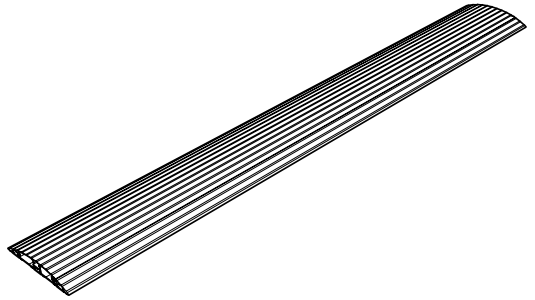
31.402

31.412

31.422

31.432

31.452



v1.0

Installation manual/Installatie handleiding

Installations-handbuch/Manuel d'installation

Manuale d'installazione/Manual de instalación

Copyright © 2016 – Dataflex International BV

T +31 180 515444

F +31 180 518540

info@dataflex-int.com

www.dataflex-int.com

addit ^x

