

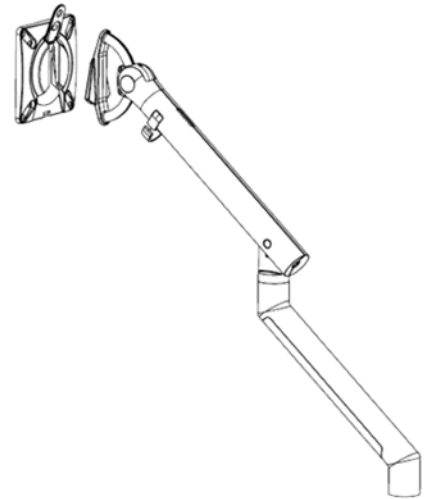
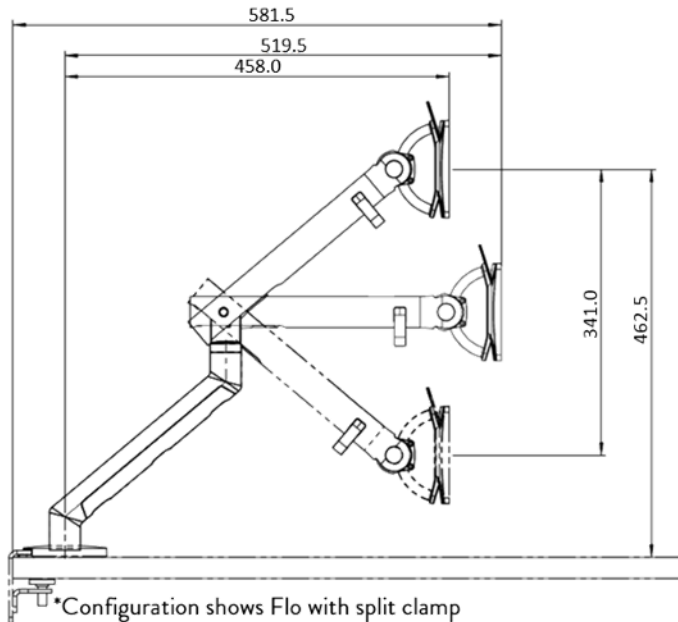


TECHNICAL SPECIFICATION SHEET

PRODUCT NAME: Flo Dynamic Monitor Arm

PRODUCT CODE: DYN/013/010

Doc Rev 2. 01.03.16. CF



*Note that dimensions provided are measured in mm

KEY FEATURES

- Award-winning aesthetic design and functionality
- Smooth, dynamic movement through its patented Flo Spring Technology
- Unique head design provides unrivalled degree of flexibility for tablets and touch screens
- Weight gauge reduces installation time and provides consistent performance
- Integrated three-point cable management system
- Minimal environmental impact
- Portrait / landscape screen mounting

Product Classification	Monitor Arms
Min Load	3kg (6.6lb)
Max load	9kg (19.84lb)
Tilt range	48.5° upwards, 48.5° downwards
Horizontal Range	458mm
Vertical Range	341mm
Build level	#G
Recycled content	34%
Total product recyclable	100%