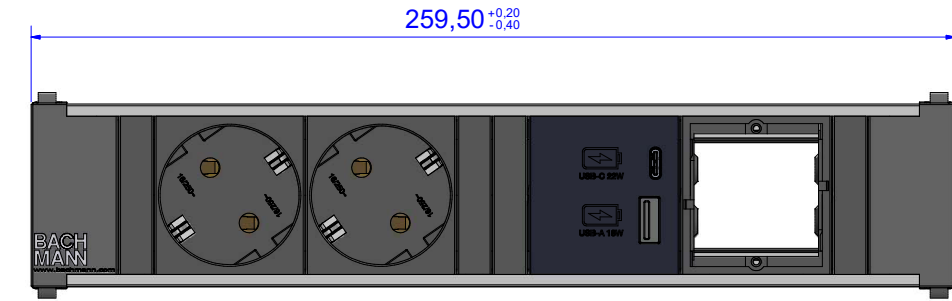
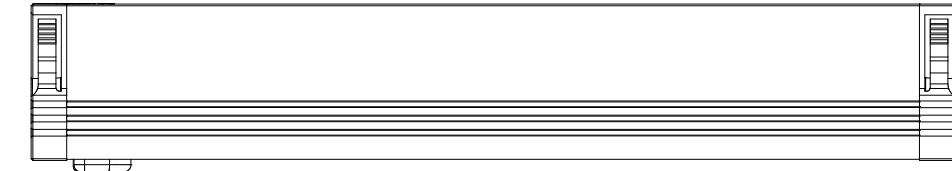
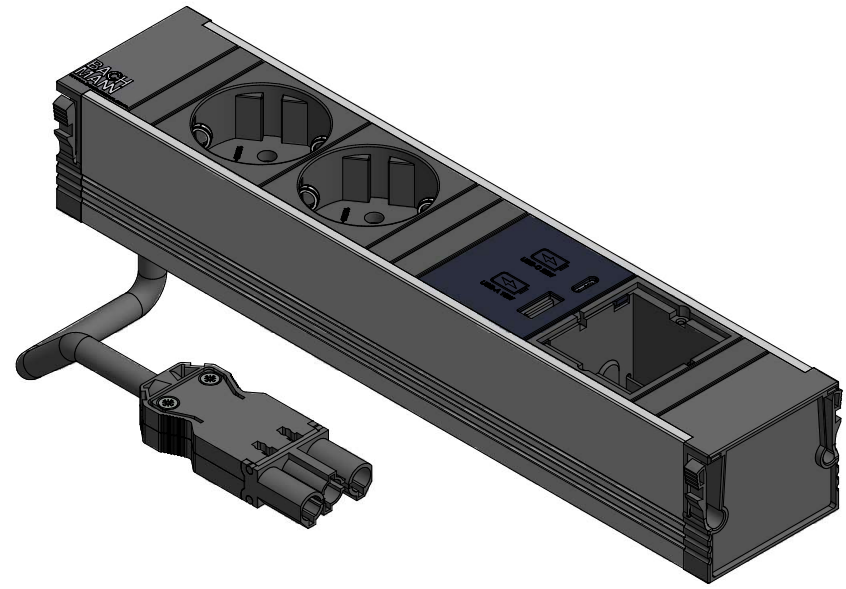
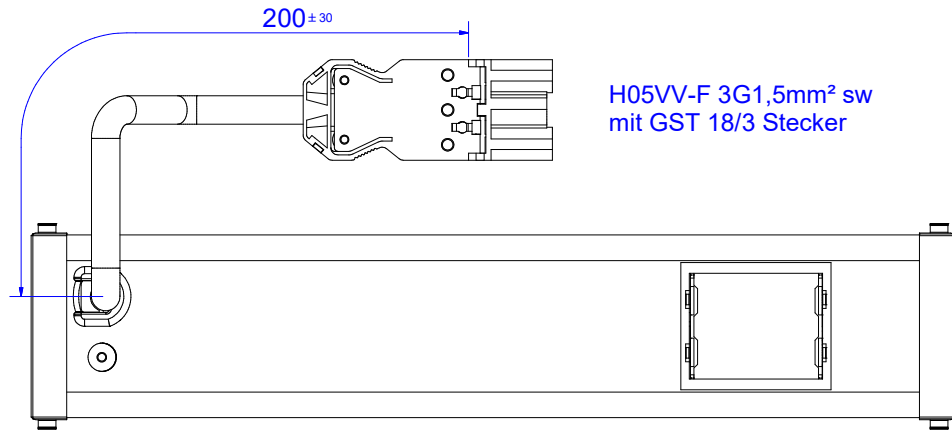


8 7 6 5 4 3 2 1



Werkstoff / Material:		Gewicht / - Weight:	Oberfläche / Surface:
Datum		Bezeichnung / Title:	
30.06.2022		BG_912_08730	
Name		Zeichg.Nr / Draw.-No:	
Trenkelbach		B01754800BA04	
30.06.2022		Art.Nr:	
Neugebauer		912.08730	
Maststab / Scale:		Format / Draw.-Size:	Blatt / Sheet:
1 : 1		A2	1

Änderungen / Changes Datum / Date Name / Name

Werkstoff / Material: **BACH MANN**

Reproduction, distribution and utilization of this document as well as the communication of its contents to others without express authorization is prohibited. Offenders will be held liable for the payment of damages. All rights reserved in the event of the grant of a patent, utility model or design.

本文未经许可不得转让及翻印，不允许引用或转载其内容，违者必究，并须赔偿损失。保留专利及注册商标的所有权。

8 7 6 5 4 3 2 1