

ergotron  
*HEALTHCARE*



***We are devoted to  
helping caregivers thrive.***

For more than 40 years, Ergotron has improved healthcare workflows and enabled quality patient care by offering dynamic, ergonomic solutions designed for caregivers.

Highly customisable, our designs fit more people, workflows and environments.





Support genuine patient connections and help reduce the risk of errors with the modular CareFit Combo System that enables an efficient and comfortable documentation experience at the point of care.

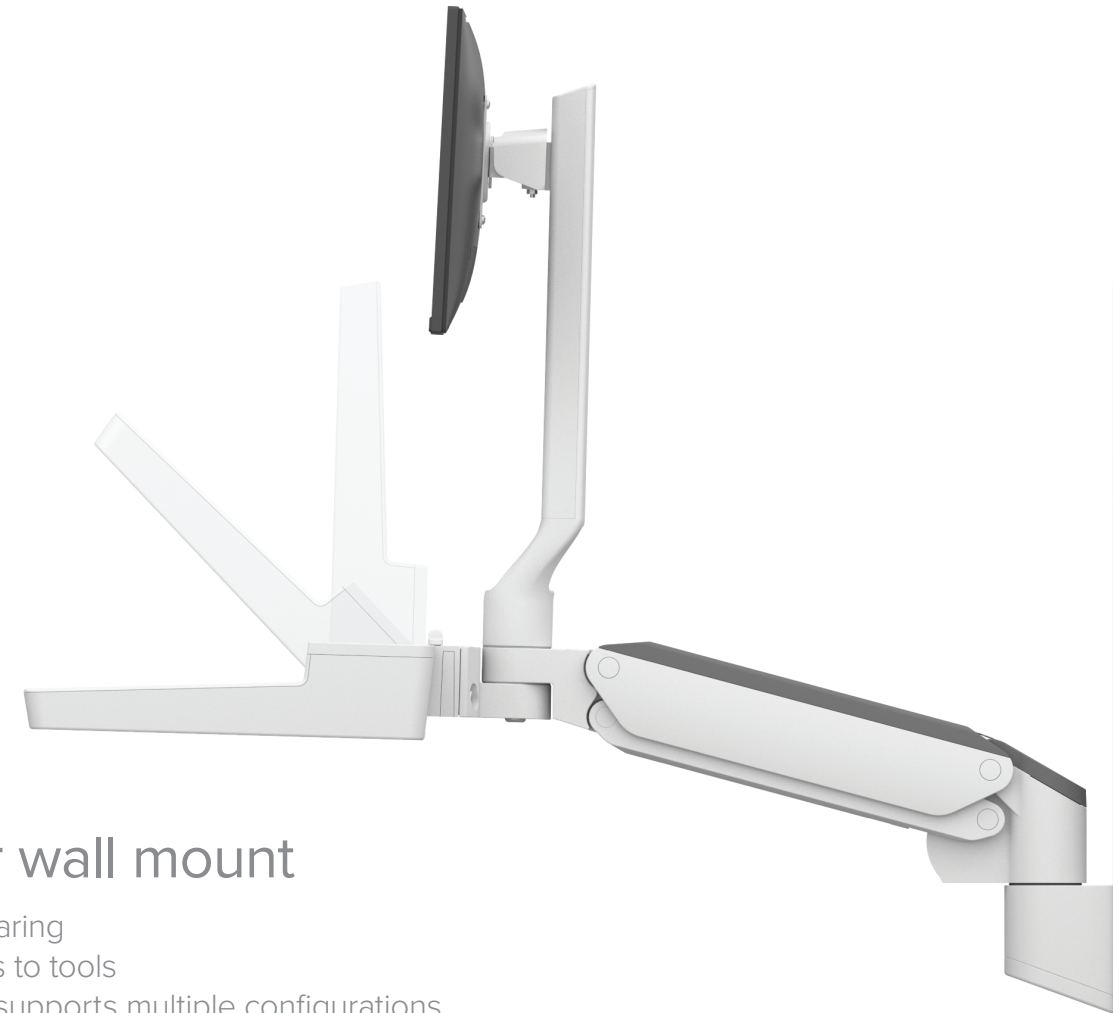


CAREFIT™



CareFit Combo

*A new documentation experience  
at the **point of care***



## Modular wall mount

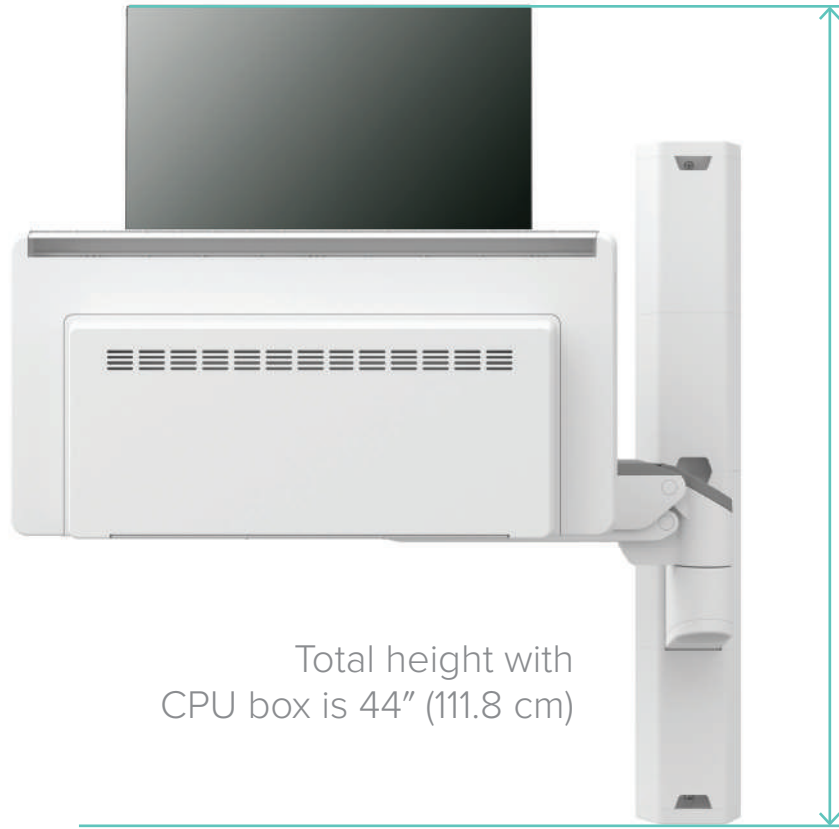
Easy screensharing

Intuitive access to tools

Sturdy design supports multiple configurations



## *Foster the nurse-patient connection*



Total height with  
CPU box is 44" (111.8 cm)

- Space-saving design easily folds when not in use
- Light touch gives caregivers flexibility and choice
- Multiple configurations are easy to clean and service
- Enable secure access with space for an RFID badge reader

Convenient  
scanner access



CareFit Combo





CareFit Combo

*Enhances healing spaces  
with **concealed**  
cable management*

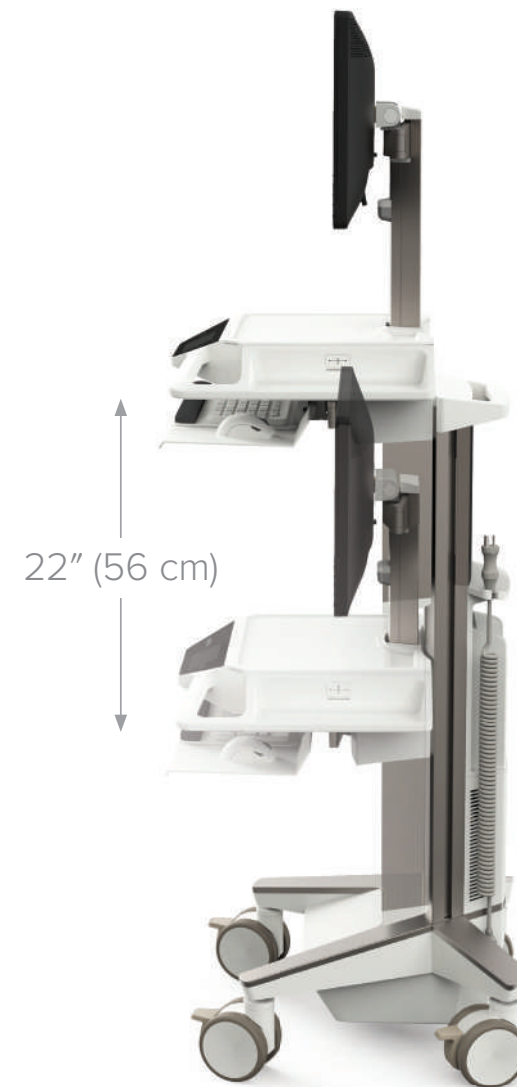


CAREFIT™



CareFit Pro

*Innovative design  
for every shift*



## Full-featured

- Expansive height-adjustment range
- Fully-enclosed technology and cabling
- Built-in hot swap battery capability
- Multiple accessories fit your workflows





otron

10:23 PM

8hr 2min  
100% 6:26AM ←

Lights

Drawers

Settings

Power

Intuitive dashboard  
fits your workflow

CareFit Pro

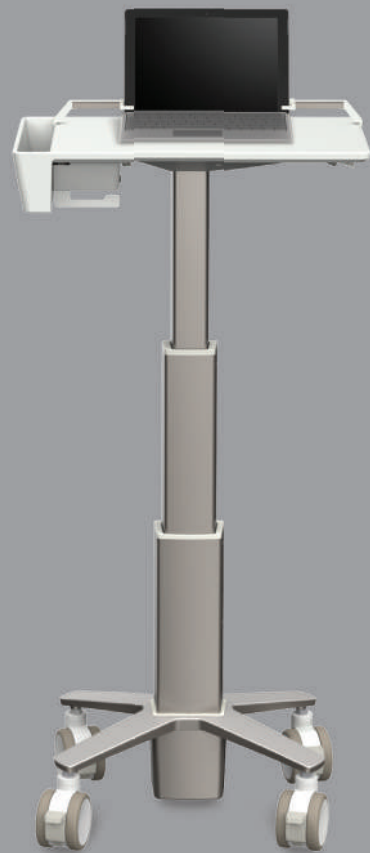


Keep everything safely  
in its place with  
customisable  
drawer configurations  
and access





CAREFIT™

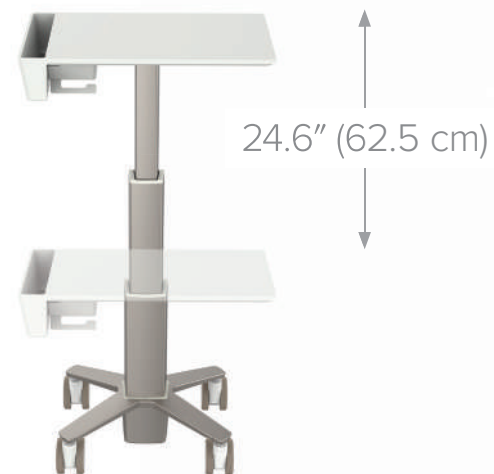


CareFit Slim Laptop



CareFit Slim LCD 2.0

*Your documentation  
companion*



## Ultra-lean

Small footprint  
Lightweight  
Expansive height-adjustment range  
Customisable options for power, scanner, printer,  
wipes and more



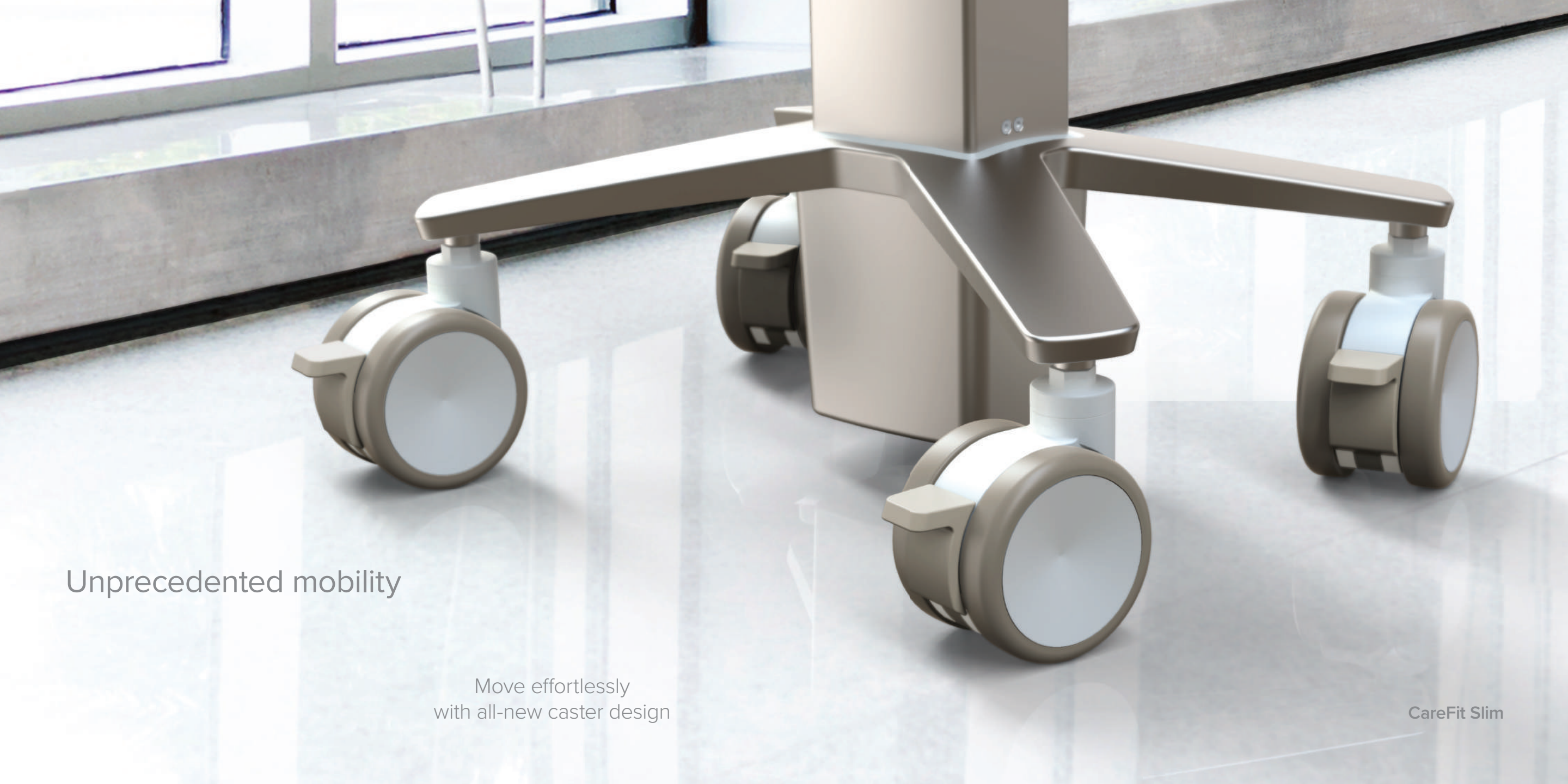




CareFit Slim

Lean and customisable design inspired  
by caregiver insights





Unprecedented mobility

Move effortlessly  
with all-new caster design

CareFit Slim



LiFeKinnex™



LiFeKinnex Power System



LiFeKinnex  
245Wh battery

*Say goodbye  
to power anxiety*



A charging workflow  
you can count on



LiFeKinnex 4-Bay Charger  
(Desktop)

Keep tabs on battery life  
with the light bar indicator



LiFeKinnex 4-Bay Charger  
(Wall-mounted)





Secure, web-based software

Seamless management

Helps increase cart uptime

Real-time insight into usage patterns, drawer access, battery charge/life and more

Software operates separately from patient records

Fast implementation

eKinnex Cloud-Based Software

## *Cloud-based fleet management*



# STYLEVIEW™



StyleView LCD & Laptop Carts, Powered & Non-powered

## *Customisable configurations for any workflow*



LCD Arm version

1. Camera shelf supports your technology
2. Easily attach accessories to the DIN rails
3. Dual screen option for telemedicine
4. Choose drawers and accessories to fit each application



CAREFIT™



CareFit Low Profile Wall Enclosure



*Low-profile design  
enhances healing spaces*

# STYLEVIEW™



StyleView Vertical Lift



*Bring  
technology to  
busy care areas*

## Low profile

Ergonomic, compact wall mount  
Supports a wide range of technology,  
including all-in-one computers  
Dual screen option available



Auto-retracting  
keyboard version





# Certified Service

We don't just stand behind our products—  
we stand behind you

Available services:\*

Installation and integration

Preventive maintenance

Extended warranties

In-warranty and post-warranty repairs

In-depth on-site product training

Equipment audit and health check

*\*Please contact us for availability in your region*





*moving you forward*<sup>™</sup>

Using human-centered design principles and the technology of movement, we build environments that help people thrive.

*[healthcare.ergotron.com](https://healthcare.ergotron.com)*



# ergotron®



Follow us on:

[facebook.com/ergotroninc](https://facebook.com/ergotroninc)

[instagram.com/ergotron](https://instagram.com/ergotron)

[linkedin.com/company/ergotron](https://linkedin.com/company/ergotron)

Download additional resources at [ergotron.com](https://ergotron.com).

For more information:

EMEA: +31,33,45,45,600 / [info.eu@ergotron.com](mailto:info.eu@ergotron.com)

Custom: [custom@ergotron.com](mailto:custom@ergotron.com)

© Ergotron, Inc. 07.10.2023

Literature made in the U.S.A.

Content subject to change.

Ergotron devices are not intended to cure, treat, mitigate or prevent any disease.

Patent information available at [www.ergotron.com/patents](https://www.ergotron.com/patents).

WorkFit, StyleView, LearnFit, Neo-Flex, PowerShuttle, LiFeKinex, CareFit and eKinex are trademarks of Ergotron.