 compulocks

# Simpler, safer healthcare

Compatible



**Secure display solutions for  
iPads and Tablets in medical  
environments**







**"The rapid adoption of digital tools during the pandemic is going to transform healthcare permanently"**

Dr. Lee Schwamm - Massachusetts General Hospital

We at Compulocks understand the growing need for excellent work tools across the healthcare estate and have the most useful solutions for medical environments.





## IT Mount **NEW**

Securely mount your laptop

The IT Mount is a universal VESA mounting plate designed to securely deploy any device!

- Use in multiple configurations - floor/counter/wall
- Add functionality of a keyboard to any work environment
- Repurpose and reuse with new adhesive sticker pads

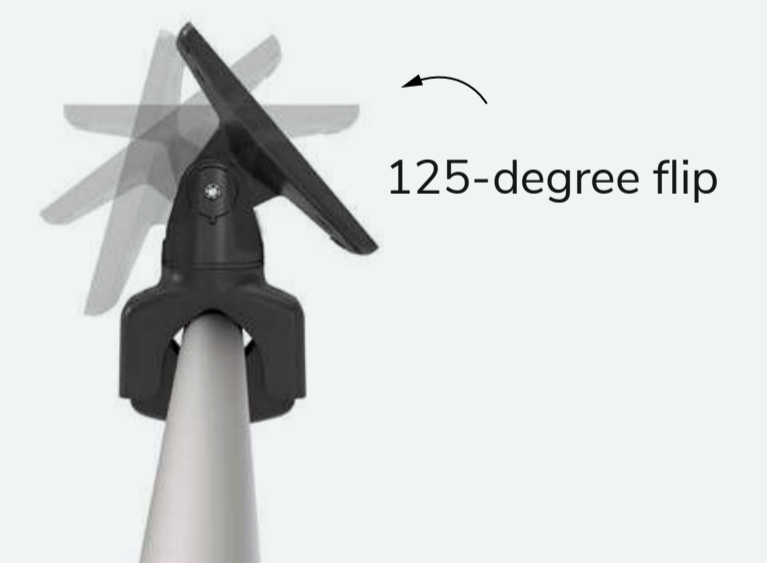


## VESA Rail Mount **NEW**

For all iPads and tablets

Designed for use in Retail, Hospitality, Healthcare and Industrial environments, the Rail Mount allows new mounting locations

- Compatible with 75 x 75 and 100 x 100 VESA Mounts
- Mount to rails 12.7mm (0.5") Ø to 38.0mm (1.50") Ø
- 360° screen swivel
- 125° screen flip
- Mount tablets and monitors Portrait or Landscape





# Rolling Stands



This product meets the General Safety and Performance Requirements (GSPR) of all relevant European Medical Device Regulations Directive 93/42/EEC

## Rise Freedom Extended

Best seller

Two articulating 6" (15.24cm) arms, providing 12" (30.48cm) extension



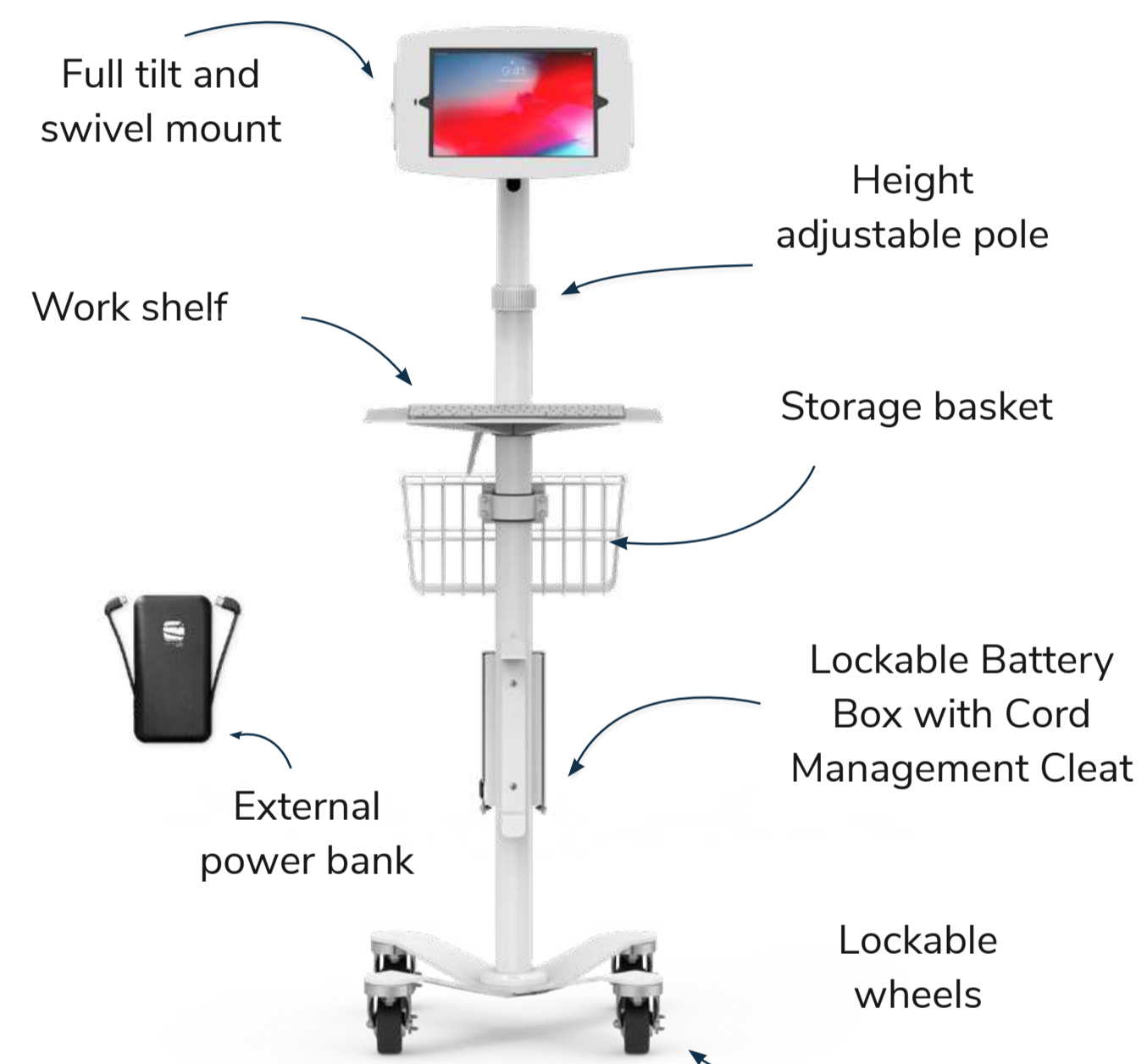
- Mount all iPads, tablets and monitors upto 15" screen size
- Extending Arm for 12" reach
- Pan, Tilt and Swivel
- Adjust from Sitting to Standing height
- Non-marring wheels and mobility in tight spaces

See more

Compatible



## Rise Freedom



### Featured Products & SKUs:

Extended Rolling Stand: MCRSTDEXW

Rolling Stand: MCRSTDW

Keyboard Tray: MCSF01W

Basket : RF02BKTW

Battery Box: RF02SPBW



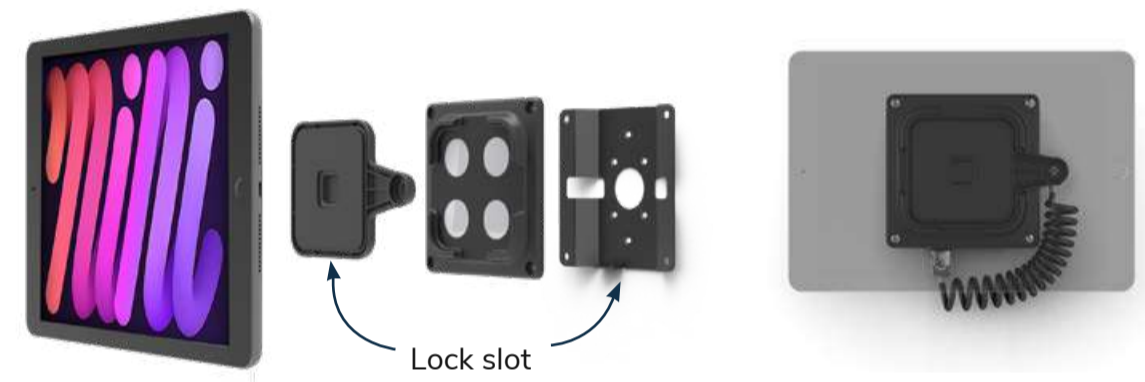




# Magnetix Tablet Stand

Compatible    [See more](#) 

Accessibility and Security in Hand and on Stand.  
 Magnetix is a useful tool for both doctors and patients, allowing for secure interaction and mobility.



## Magnetix iPad / tablet Mount

- Innovative universal solution compatible with any tablet
- Designed for mPOS, assisted shopping, self-service kiosks, etc
- Enhance ADA compliance
- Easily switch between portrait and landscape modes
- Secured and easy to install
- Suitable for display and hand-held
- Dual head Cable Lock (optional add-on)

### Featured Products & SKUs:

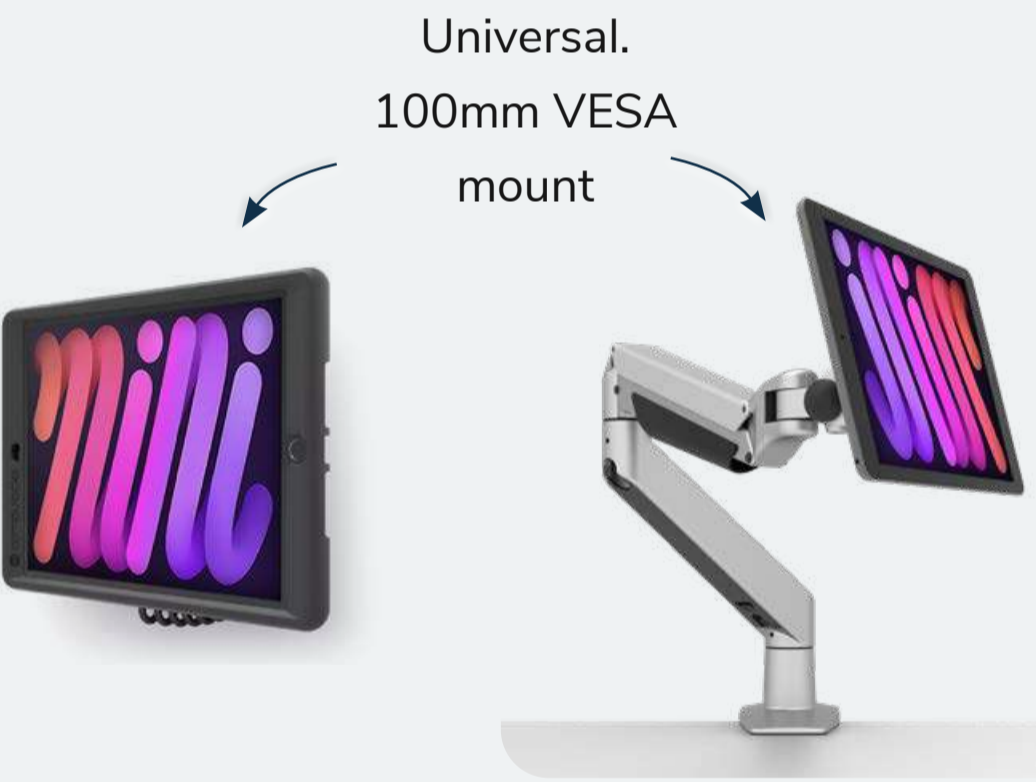
- Magnetic Floor Stand: MNTXADJ01
- Magnetic Wall Mount: MNTXWM01
- Magnetic Counter Stand: MNTXRISE01
- Magnetic & AV Capsule: MNTX341B
- Edge Case Protective Cover: BNDIP102

## Multiple Configurations



Magnetix Counter iPad Stand

Magnetix & AV Capsule



Magnetix Wall Mount

Magnetix Reach Arm



# Stands & Mounts

Our solutions are designed to fit anywhere - on a counter, on the floor, or the wall, providing solutions for every environment.



## Rise

Simple, functional display stand

- Height options available
- Through arm cable management
- Swiveling and tilting mount head
- Continuous charging while mounted



## HoverTab

Universal Tablet Security Stand

- Quick Key Lock / Unlock
- Set In Portrait or Landscape Mode
- Industrial strength 3M VHB adhesive
- Countertop or Wall Mountable
- Weight Balanced Stand



## AV Capsule

Wall or Counter Stand with internal storage

- Countertop 30° viewing angle, or 60° Wall viewing angle
- Storage space for power pack or adapters
- Optional Swivel Base
- Portrait or Landscape set up



## Classic 45°

Wall or Counter tablet mount

- Fixed viewing angle
- Portrait or Landscape set up
- High grade aluminium construction



## 360 Stand

- 90-degree screen rotation
- Full reverse screen tilt
- Weight balanced base
- Customer-oriented design



## Grip & Dock

Universal tablet Handgrip and Security Stand

- Grab&Go solution
- Tilting Display Stand
- Quick Key Lock / Unlock
- Full 360 Screen Rotation
- Wall or Countertop Mount

# Tablet Enclosures



Portrait or landscape mode

Quick Lock and Unlock key mechanism

## Space

- High-grade aluminium enclosure with rounded edges
- Designed for improved ventilation
- Continuous charging while mounted
- Quick lock and release keyed lock





# Floor Stands

## Adjustable Floor Stand

Portable stand for easy interactions



- 100-115cm height adjustment on set up
- Portrait or Landscape set up
- 45° viewing angle
- Cable Management
- Space for charging block

100x100mm VESA Mount

## BrandMe Floor Stand

Printable Panel and optional Printer Shelf for Registration and Queue Management



- Full tilting head, view in landscape or portrait mode
- Panel for branding, call to action, or custom design
- Cable management for charging while mounted

100x100mm VESA Mount



# Adjustable Mounted Arms



## Reach Articulating Arm

- Ergonomic Wall or Desk mountable arm
- Wide range of motion: tilt, swing, and pan
  - Securely clamp to a desk or wall mounted
  - Cable management keeps all wires and cords organized

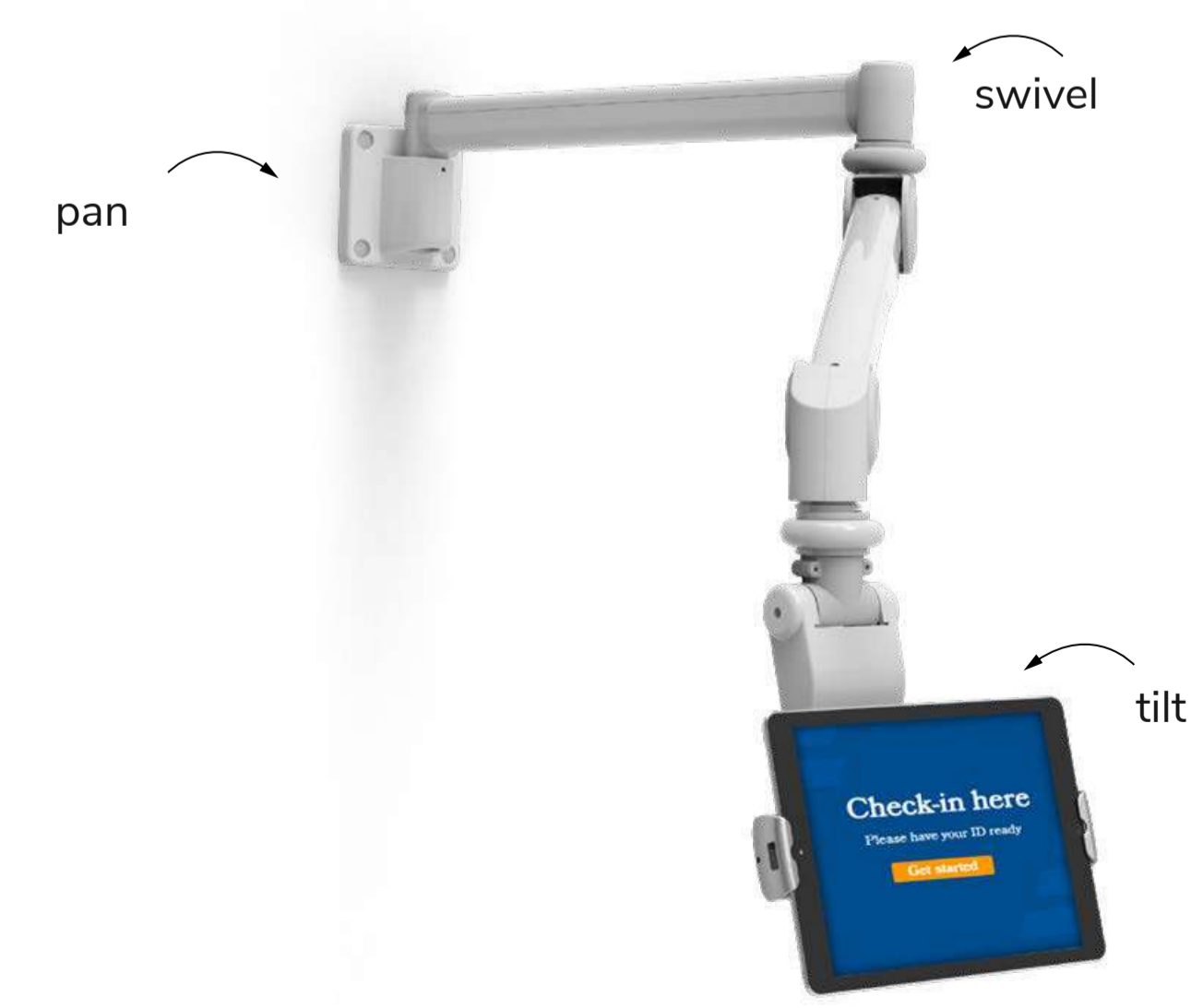
75mm/100mm VESA Mount



## Swing Arm

- Low profile with Multiple display angles
- Tilt, pan, and swing for multiple display angles
  - Mount on the wall, counter-top, or any flat surface
  - Great for limited space and corners
  - Arm extends up to 10 inches off the wall

100x100mm VESA Mount

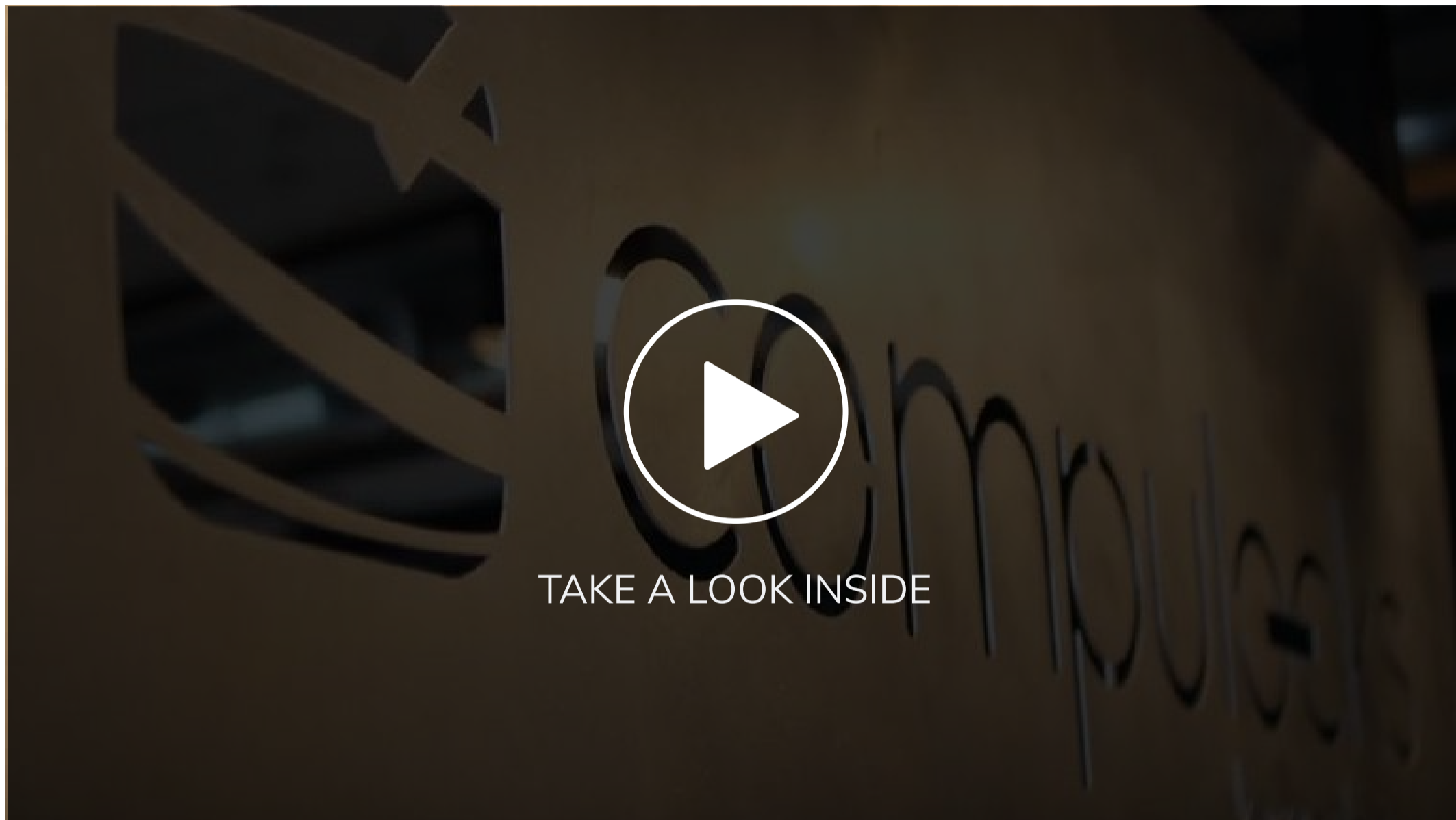


## Extra Long Articulating Arm

- Medical grade monitor arm
- Extra-long 4 ft. arm
  - Ergonomic Monitor Arm Wall Mount
  - Suitable for Hospitals, Clinics, and Patient monitoring applications or interactive bedside entertainment systems



# Let's Meet!



## Contact US

[www.compulocks.com](http://www.compulocks.com)

[b2b@compulocks.com](mailto:b2b@compulocks.com)

+1800-948-0344

## Contact Europe

[www.maclocks.eu](http://www.maclocks.eu)

[eu@compulocks.com](mailto:eu@compulocks.com)

Smart. Secure. Essential